



US010539459B2

(12) **United States Patent**
Howell et al.

(10) **Patent No.:** **US 10,539,459 B2**
(45) **Date of Patent:** ***Jan. 21, 2020**

(54) **EYEWEAR WITH DETECTION SYSTEM**

(2013.01); *G02C 11/10* (2013.01); *A61B 5/746* (2013.01); *G01J 2001/0257* (2013.01)

(71) Applicant: **IngenioSpec, LLC**, San Jose, CA (US)

(58) **Field of Classification Search**

(72) Inventors: **Thomas A. Howell**, San Jose, CA (US); **David Chao**, Saratoga, CA (US); **C. Douglass Thomas**, Saratoga, CA (US); **Peter P. Tong**, Mountain View, CA (US)

CPC ... *G02C 9/04*; *G02C 7/08*; *G02C 5/00*; *G02C 1/06*; *G02C 7/16*; *G02C 7/10*
USPC 351/41, 44, 158; 250/372
See application file for complete search history.

(73) Assignee: **IngenioSpec, LLC**, San Jose, CA (US)

(56) **References Cited**

(*) Notice: Subject to any disclaimer, the term of this patent is extended or adjusted under 35 U.S.C. 154(b) by 0 days.

U.S. PATENT DOCUMENTS

This patent is subject to a terminal disclaimer.

320,558 A 6/1885 Hull
1,255,265 A 2/1918 Zachara
(Continued)

(21) Appl. No.: **16/426,351**

FOREIGN PATENT DOCUMENTS

(22) Filed: **May 30, 2019**

CA 2 487 391 12/2003
CN 88203065 11/1988
(Continued)

(65) **Prior Publication Data**

US 2019/0310132 A1 Oct. 10, 2019

OTHER PUBLICATIONS

Office Action for U.S. Appl. No. 11/078,855, dated Jan. 16, 2007.
(Continued)

Related U.S. Application Data

(63) Continuation of application No. 16/102,859, filed on Aug. 14, 2018, now Pat. No. 10,359,311, which is a (Continued)

Primary Examiner — James R Greece

(51) **Int. Cl.**

G01J 1/42 (2006.01)
G02C 11/00 (2006.01)
G01J 1/02 (2006.01)
G01J 1/44 (2006.01)
G02C 5/00 (2006.01)
A61B 5/00 (2006.01)

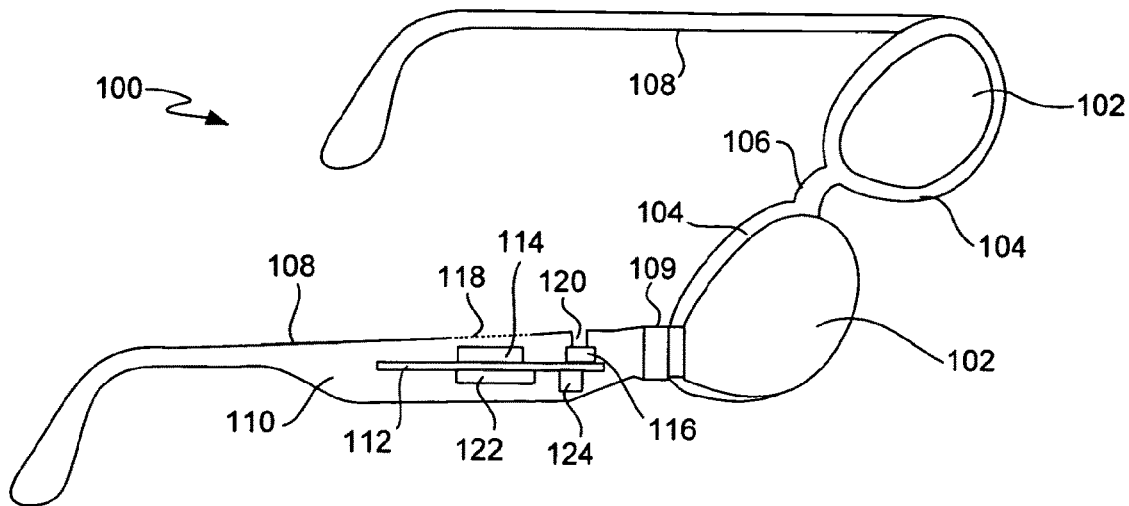
(57) **ABSTRACT**

Eyewear having monitoring capability, such as for radiation, is disclosed. Radiation, such as ultraviolet (UV) radiation, infrared (IR) radiation or light, can be measured by a detector. The measured radiation can then be used in providing radiation-related information to a user of the eyewear. Advantageously, the user of the eyewear is able to easily monitor their exposure to radiation.

(52) **U.S. Cl.**

CPC *G01J 1/429* (2013.01); *G01J 1/0238* (2013.01); *G01J 1/0271* (2013.01); *G01J 1/44* (2013.01); *G02C 5/001* (2013.01); *G02C 11/00*

20 Claims, 39 Drawing Sheets



Related U.S. Application Data

continuation of application No. 15/343,472, filed on Nov. 4, 2016, now Pat. No. 10,060,790, which is a continuation of application No. 14/313,989, filed on Jun. 24, 2014, now Pat. No. 9,488,520, which is a continuation of application No. 12/322,377, filed on Feb. 2, 2009, now Pat. No. 8,770,742, which is a continuation of application No. 11/078,855, filed on Mar. 11, 2005, now Pat. No. 7,500,746.

- (60) Provisional application No. 60/562,798, filed on Apr. 15, 2004, provisional application No. 60/583,169, filed on Jun. 26, 2004, provisional application No. 60/592,045, filed on Jul. 28, 2004, provisional application No. 60/605,191, filed on Aug. 28, 2004, provisional application No. 60/618,107, filed on Oct. 12, 2004, provisional application No. 60/620,238, filed on Oct. 18, 2004, provisional application No. 60/647,836, filed on Jan. 31, 2005, provisional application No. 60/647,826, filed on Jan. 31, 2005.

(56) **References Cited**

U.S. PATENT DOCUMENTS

1,917,745 A 7/1933 Weiss
 2,249,572 A 7/1941 Lieber
 2,638,532 A 5/1953 Brady
 2,794,085 A 5/1957 De Angelis
 2,818,511 A 12/1957 Ullery et al.
 2,830,132 A 4/1958 Borg
 2,874,230 A 2/1959 Carlson
 2,904,670 A 9/1959 Calmes
 3,060,308 A 10/1962 Fortuna
 3,597,054 A 8/1971 Winter
 3,710,115 A 1/1973 Jubb
 3,858,001 A 12/1974 Bonne
 3,883,701 A 5/1975 Delorenzo
 4,165,487 A 8/1979 Corderman
 4,254,451 A 3/1981 Cochran, Jr.
 4,283,127 A 8/1981 Rosenwinkel et al.
 4,322,585 A 3/1982 Liautaud
 4,348,664 A 9/1982 Boschetti et al.
 4,389,217 A 6/1983 Baughman et al.
 4,526,473 A 7/1985 Zahn, III
 4,535,244 A 8/1985 Burnham
 4,608,492 A 8/1986 Burnham
 4,683,587 A 7/1987 Silverman
 4,751,691 A 6/1988 Perera
 4,757,714 A 7/1988 Purdy et al.
 4,773,095 A 9/1988 Zwickler et al.
 4,806,011 A 2/1989 Bettinger
 4,822,160 A 4/1989 Tsai
 4,822,161 A 4/1989 Jimmy
 4,851,686 A 7/1989 Pearson
 4,856,086 A 8/1989 McCullough
 4,859,047 A 8/1989 Badewitz
 4,882,769 A 11/1989 Gallimore
 4,904,078 A 2/1990 Gorike
 4,942,629 A 7/1990 Stadlmann
 4,962,469 A 10/1990 Ono et al.
 4,967,268 A 10/1990 Lipton et al.
 4,985,632 A 1/1991 Bianco et al.
 5,008,548 A 4/1991 Gat
 5,015,086 A 5/1991 Okaue et al.
 5,020,150 A 5/1991 Shannon
 5,026,151 A 6/1991 Waltuck et al.
 5,036,311 A 7/1991 Moran et al.
 5,050,150 A 9/1991 Ikeda
 5,064,410 A 11/1991 Frenkel et al.
 5,093,576 A 3/1992 Edmond et al.
 5,106,179 A 4/1992 Kamaya et al.
 5,148,023 A 9/1992 Hayashi et al.
 5,151,600 A 9/1992 Black
 5,161,250 A 11/1992 Ianna et al.

5,172,256 A 12/1992 Sethofer et al.
 5,264,877 A 11/1993 Hussey
 5,306,917 A 4/1994 Black et al.
 5,353,378 A 10/1994 Hoffman et al.
 5,359,370 A 10/1994 Mugnier
 5,359,444 A 10/1994 Piosenka et al.
 5,367,345 A 11/1994 da Silva
 5,379,464 A 1/1995 Schleger et al.
 5,382,986 A * 1/1995 Black G01J 1/429
 250/372
 5,394,005 A 2/1995 Brown et al.
 5,452,026 A 9/1995 Marcy, III
 5,452,480 A 9/1995 Ryden
 5,455,637 A 10/1995 Kallman et al.
 5,455,640 A 10/1995 Gertsikov
 5,457,751 A 10/1995 Such
 5,463,428 A 10/1995 Lipton et al.
 5,500,532 A 3/1996 Kozicki
 D369,137 S 4/1996 Hanson et al.
 5,510,961 A 4/1996 Peng
 5,513,384 A 4/1996 Brennan et al.
 5,533,130 A 7/1996 Staton
 5,541,641 A 7/1996 Shimada
 5,581,090 A 12/1996 Goudjil
 5,585,871 A 12/1996 Linden
 5,589,398 A 12/1996 Krause et al.
 5,590,417 A 12/1996 Rydbeck
 5,606,743 A 2/1997 Vogt et al.
 5,608,808 A 3/1997 da Silva
 5,634,201 A 5/1997 Mooring
 5,671,035 A 9/1997 Barnes
 5,686,727 A 11/1997 Reenstra et al.
 5,694,475 A 12/1997 Boyden
 5,715,323 A 2/1998 Walker
 5,737,436 A 4/1998 Boyden et al.
 5,818,381 A 10/1998 Williams
 5,835,185 A 11/1998 Kallman et al.
 5,900,720 A 5/1999 Kallman et al.
 5,903,395 A 5/1999 Rallison et al.
 5,941,837 A 8/1999 Amano et al.
 5,946,071 A 8/1999 Feldman
 5,949,516 A 9/1999 McCurdy
 5,966,746 A 10/1999 Reedy et al.
 5,980,037 A 11/1999 Conway
 5,988,812 A 11/1999 Wingate
 5,991,085 A 11/1999 Rallison et al.
 5,992,996 A 11/1999 Sawyer
 5,995,592 A 11/1999 Shirai et al.
 6,010,216 A 1/2000 Jesiek
 6,013,919 A 1/2000 Schneider et al.
 6,028,627 A 2/2000 Helmsderfer
 6,046,455 A 4/2000 Ribi et al.
 6,060,321 A 5/2000 Hovorka
 6,061,580 A 5/2000 Altschul et al.
 6,091,546 A * 7/2000 Spitzer G02B 27/017
 359/618
 6,091,832 A 7/2000 Shurman et al.
 6,115,177 A 9/2000 Vossler
 6,132,681 A 10/2000 Faran et al.
 6,145,983 A 11/2000 Schiffer
 6,154,552 A 11/2000 Koroljow et al.
 6,176,576 B1 1/2001 Green et al.
 669,949 A1 3/2001 Underwood
 6,225,897 B1 5/2001 Doyle et al.
 6,231,181 B1 5/2001 Swab
 6,236,969 B1 5/2001 Ruppert et al.
 6,243,578 B1 6/2001 Koike
 6,259,367 B1 7/2001 Klein
 6,270,466 B1 8/2001 Weinstein et al.
 6,292,213 B1 9/2001 Jones
 6,292,685 B1 9/2001 Pompei
 6,301,367 B1 10/2001 Boyden et al.
 6,307,526 B1 10/2001 Mann
 6,343,858 B1 2/2002 Zelman
 6,349,001 B1 2/2002 Spitzer
 6,349,422 B1 2/2002 Schleger et al.
 6,409,335 B1 6/2002 Lipawsky
 6,409,338 B1 6/2002 Jewell
 6,426,719 B1 7/2002 Nagareda et al.

(56)

References Cited

U.S. PATENT DOCUMENTS

6,431,705	B1	8/2002	Linden	8,485,661	B2	7/2013	Yoo et al.
6,474,816	B2	11/2002	Butler et al.	8,500,271	B2	8/2013	Howell et al.
6,478,736	B1	11/2002	Mault	8,770,742	B2	7/2014	Howell et al.
6,506,142	B2	1/2003	Itoh et al.	8,905,542	B2	12/2014	Howell et al.
6,511,175	B2	1/2003	Hay et al.	9,033,493	B2	5/2015	Howell et al.
6,513,532	B2	2/2003	Mault et al.	9,244,292	B2	1/2016	Swab et al.
6,517,203	B1	2/2003	Blum et al.	9,400,390	B2	7/2016	Osterhout et al.
6,539,336	B1	3/2003	Vock et al.	9,405,135	B2	8/2016	Sweis et al.
6,542,081	B2	4/2003	Torch	9,488,520	B2	11/2016	Howell et al.
6,546,101	B1	4/2003	Murray et al.	9,547,184	B2	1/2017	Howell et al.
6,554,763	B1	4/2003	Amano et al.	9,690,121	B2	6/2017	Howell et al.
6,582,075	B1	6/2003	Swab et al.	10,042,186	B2	8/2018	Chao et al.
6,619,799	B1	9/2003	Blum et al.	10,060,790	B2	8/2018	Howell et al.
6,629,076	B1	9/2003	Haken	10,061,144	B2	8/2018	Howell et al.
6,729,726	B2	5/2004	Miller et al.	10,310,296	B2	6/2019	Howell et al.
6,736,759	B1	5/2004	Stubbs et al.	10,345,625	B2	7/2019	Howell et al.
6,764,194	B1	7/2004	Cooper	10,359,311	B2	7/2019	Howell et al.
6,769,767	B2	8/2004	Swab et al.	2001/0005230	A1	6/2001	Ishikawa
6,788,309	B1	9/2004	Swan et al.	2001/0028309	A1	10/2001	Torch
6,792,401	B1	9/2004	Nigro et al.	2001/0050754	A1	12/2001	Hay et al.
6,816,314	B2	11/2004	Shimizu et al.	2002/0017997	A1	2/2002	Felkowitz
6,824,265	B1	11/2004	Harper	2002/0021407	A1	2/2002	Elliot
6,871,951	B2	3/2005	Blum et al.	2002/0081982	A1	6/2002	Schwartz et al.
6,879,930	B2	4/2005	Sinclair et al.	2002/0084990	A1	7/2002	Peterson, III
6,912,386	B1	6/2005	Himberg et al.	2002/0089639	A1	7/2002	Starnner et al.
6,929,365	B2	8/2005	Swab et al.	2002/0090103	A1	7/2002	Calisto, Jr.
6,932,090	B1	8/2005	Reschke et al.	2002/0098877	A1	7/2002	Glezerman
6,947,219	B1	9/2005	Ou	2002/0101568	A1	8/2002	Eberl et al.
7,004,582	B2	2/2006	Jannard et al.	2002/0109600	A1	8/2002	Mault et al.
7,013,009	B2	3/2006	Warren	2002/0140899	A1	10/2002	Blum et al.
7,030,902	B2	4/2006	Jacobs	2002/0159023	A1	10/2002	Swab
7,031,667	B2	4/2006	Horiguchi	2002/0197961	A1	12/2002	Warren
7,033,025	B2	4/2006	Winterbotham	2003/0018274	A1	1/2003	Takahashi et al.
7,059,717	B2	6/2006	Bloch	2003/0022690	A1	1/2003	Beyda et al.
7,073,905	B2	7/2006	Da Pra'	2003/0032449	A1	2/2003	Giobbi
7,079,876	B2	7/2006	Levy	2003/0062046	A1	4/2003	Wiesmann et al.
7,123,215	B2	10/2006	Nakada	2003/0065257	A1	4/2003	Mault et al.
7,192,136	B2	3/2007	Howell et al.	2003/0067585	A1	4/2003	Miller et al.
7,255,437	B2	8/2007	Howell et al.	2003/0068057	A1	4/2003	Miller et al.
7,265,358	B2	9/2007	Fontaine	2003/0083591	A1	5/2003	Edwards et al.
7,274,292	B2	9/2007	Velhal et al.	2003/0214630	A1	11/2003	Winterbotham
7,289,767	B2	10/2007	Lai	2003/0226978	A1	12/2003	Ribi et al.
7,312,699	B2	12/2007	Chornenky	2004/0000733	A1	1/2004	Swab et al.
7,331,566	B2	2/2008	Swab et al.	2004/0029582	A1	2/2004	Swab et al.
7,376,238	B1	5/2008	Rivas et al.	2004/0059212	A1	3/2004	Abreu
7,380,936	B2	6/2008	Howell et al.	2004/0063378	A1	4/2004	Nelson
7,401,918	B2	7/2008	Howell et al.	2004/0096078	A1	5/2004	Lin
7,405,801	B2	7/2008	Jacobs	2004/0100384	A1	5/2004	Chen et al.
7,429,965	B2	9/2008	Weiner	2004/0128737	A1	7/2004	Gesten
7,438,409	B2	10/2008	Jordan	2004/0150986	A1	8/2004	Chang
7,438,410	B1	10/2008	Howell et al.	2004/0156012	A1	8/2004	Jannard et al.
7,445,332	B2	11/2008	Jannard et al.	2004/0157649	A1	8/2004	Jannard et al.
7,481,531	B2	1/2009	Howell et al.	2004/0160571	A1	8/2004	Jannard
7,500,746	B1	3/2009	Howell et al.	2004/0160572	A1	8/2004	Jannard
7,500,747	B2	3/2009	Howell et al.	2004/0160573	A1	8/2004	Jannard et al.
7,512,414	B2	3/2009	Jannard et al.	2004/0197002	A1	10/2004	Atsumi et al.
7,527,374	B2	5/2009	Chou	2004/0227219	A1	11/2004	Su
7,543,934	B2	6/2009	Howell et al.	2005/0067580	A1	3/2005	Fontaine
7,581,833	B2	9/2009	Howell et al.	2005/0078274	A1	4/2005	Howell et al.
7,621,634	B2	11/2009	Howell et al.	2005/0088365	A1	4/2005	Yamazaki et al.
7,648,236	B1	1/2010	Dobson	2005/0201585	A1	9/2005	Jannard et al.
7,677,723	B2	3/2010	Howell et al.	2005/0213026	A1	9/2005	Da Pra'
7,760,898	B2	7/2010	Howell et al.	2005/0230596	A1	10/2005	Howell et al.
7,771,046	B2	8/2010	Howell et al.	2005/0238194	A1	10/2005	Chornenky
7,792,552	B2	9/2010	Thomas et al.	2005/0239502	A1	10/2005	Swab et al.
7,806,525	B2	10/2010	Howell et al.	2005/0248717	A1	11/2005	Howell et al.
7,922,321	B2	4/2011	Howell et al.	2005/0248718	A1	11/2005	Howell et al.
7,976,159	B2	7/2011	Jacobs et al.	2005/0248719	A1	11/2005	Howell et al.
8,109,629	B2	2/2012	Howell et al.	2005/0264752	A1	12/2005	Howell et al.
8,142,015	B2	3/2012	Paolino	2006/0001827	A1	1/2006	Howell et al.
8,174,569	B2	5/2012	Tanijiri et al.	2006/0003803	A1	1/2006	Thomas et al.
8,337,013	B2	12/2012	Howell et al.	2006/0023158	A1	2/2006	Howell et al.
8,430,507	B2	4/2013	Howell et al.	2006/0034478	A1	2/2006	Davenport
8,434,863	B2	5/2013	Howell et al.	2006/0107822	A1	5/2006	Bowen
8,465,151	B2	6/2013	Howell et al.	2006/0132382	A1	6/2006	Jannard
				2007/0030442	A1	2/2007	Howell et al.
				2007/0035830	A1	2/2007	Matveev et al.
				2007/0046887	A1	3/2007	Howell et al.
				2007/0055888	A1	3/2007	Miller et al.

(56)

References Cited

FOREIGN PATENT DOCUMENTS

U.S. PATENT DOCUMENTS

2007/0098192 A1 5/2007 Sipkema
 2007/0109491 A1 5/2007 Howell et al.
 2007/0186330 A1 8/2007 Howell et al.
 2007/0200927 A1 8/2007 Krenik
 2007/0208531 A1 9/2007 Darley et al.
 2007/0270663 A1 11/2007 Ng et al.
 2007/0271065 A1 11/2007 Gupta et al.
 2007/0271116 A1 11/2007 Wysocki et al.
 2007/0271387 A1 11/2007 Lydon et al.
 2007/0279584 A1 12/2007 Howell et al.
 2008/0062338 A1 3/2008 Herzog et al.
 2008/0068559 A1 3/2008 Howell et al.
 2008/0144854 A1 6/2008 Abreu
 2008/0151175 A1 6/2008 Gross
 2008/0151179 A1 6/2008 Howell et al.
 2008/0158506 A1 7/2008 Fuziak
 2008/0218684 A1 9/2008 Howell et al.
 2008/0262392 A1 10/2008 Ananny et al.
 2008/0278678 A1 11/2008 Howell et al.
 2009/0059159 A1 3/2009 Howell et al.
 2009/0059381 A1 3/2009 Jannard
 2009/0073375 A1 3/2009 Nakada
 2009/0141233 A1 6/2009 Howell et al.
 2009/0147215 A1 6/2009 Howell et al.
 2009/0156128 A1 6/2009 Franson et al.
 2009/0251660 A1 10/2009 Figler et al.
 2009/0251661 A1 10/2009 Fuziak, Jr.
 2009/0296044 A1 12/2009 Howell et al.
 2010/0061579 A1 3/2010 Rickards et al.
 2010/0079356 A1 4/2010 Hoellwarth
 2010/0110368 A1 5/2010 Chaum
 2010/0245754 A1 9/2010 Matsumoto et al.
 2010/0296045 A1 11/2010 Agnoli et al.
 2010/0309426 A1 12/2010 Howell et al.
 2011/0102734 A1 5/2011 Howell et al.
 2011/0164122 A1 7/2011 Hardacker
 2011/0187990 A1 8/2011 Howell et al.
 2011/0241976 A1 10/2011 Boger et al.
 2011/0273365 A1 11/2011 West et al.
 2012/0033061 A1 2/2012 Ko et al.
 2012/0050668 A1 3/2012 Howell et al.
 2012/0133885 A1 5/2012 Howell et al.
 2012/0176580 A1 7/2012 Sonsino
 2013/0072828 A1 3/2013 Sweis et al.
 2013/0077175 A1 3/2013 Hotta et al.
 2013/0201440 A1 8/2013 Howell et al.
 2013/0308089 A1 11/2013 Howell et al.
 2014/0132913 A1 5/2014 Sweis et al.
 2014/0176902 A1 6/2014 Sweis et al.
 2014/0198293 A1 7/2014 Sweis et al.
 2014/0268008 A1 9/2014 Howell et al.
 2014/0268013 A1 9/2014 Howell et al.
 2014/0268017 A1 9/2014 Sweis et al.
 2014/0361185 A1 12/2014 Howell et al.
 2015/0085245 A1 3/2015 Howell et al.
 2015/0230988 A1 8/2015 Chao et al.
 2015/0253590 A1 9/2015 Howell et al.
 2016/0246075 A9 8/2016 Howell et al.
 2016/0302992 A1 10/2016 Sweis et al.
 2017/0068117 A9 3/2017 Howell et al.
 2017/0074721 A1 3/2017 Howell et al.
 2017/0090219 A1 3/2017 Howell et al.
 2017/0131575 A1 5/2017 Howell et al.
 2017/0146829 A1 5/2017 Howell et al.
 2018/0314079 A1 11/2018 Chao et al.
 2018/0335650 A1 11/2018 Howell et al.
 2018/0348050 A1 12/2018 Howell et al.
 2019/0033623 A1 1/2019 Howell et al.
 2019/0187492 A1 6/2019 Howell et al.
 2019/0278110 A1 9/2019 Howell et al.
 2019/0285913 A1 9/2019 Howell et al.
 2019/0318589 A1 10/2019 Howell et al.

CN 89214222.7 3/1990
 CN 90208199.3 11/1990
 DE 10123226 A1 11/2002
 EP 1134491 A2 9/2001
 FR 2530039 A1 1/1984
 GB 1467982 3/1977
 JP 58-113912 7/1983
 JP 58-113914 7/1983
 JP 02-181722 7/1990
 JP 09-017204 1/1997
 JP 10-161072 6/1998
 JP 2000-039595 2/2000
 JP 2002 341059 A 11/2002
 JP 2005-151292 6/2005
 TW 484711 6/2001
 WO WO 97/12205 A1 4/1997
 WO WO 99/50706 A1 10/1999
 WO WO 01/06298 A1 1/2001
 WO WO 02/06881 A2 1/2002
 WO WO 03/069394 A1 8/2003
 WO WO 03/100368 A1 12/2003
 WO WO 03/100503 A2 12/2003
 WO WO 04/012477 A2 2/2004
 WO WO 04/025554 A1 3/2004

OTHER PUBLICATIONS

Office Action for U.S. Appl. No. 11/078,855, dated Aug. 8, 2007.
 Office Action for U.S. Appl. No. 11/078,855, dated Dec. 26, 2007.
 Office Action for U.S. Appl. No. 11/078,855, dated Jul. 3, 2008.
 Notice of Allowance for U.S. Appl. No. 11/078,855, dated Dec. 3, 2008.
 Office Action for U.S. Appl. No. 12/322,377, dated Mar. 31, 2010.
 Office Action for U.S. Appl. No. 12/322,377, dated Oct. 14, 2010.
 Office Action for U.S. Appl. No. 12/322,377, dated Sep. 17, 2013.
 Office Action for U.S. Appl. No. 12/322,377, dated Feb. 25, 2014.
 Notice of Allowance for U.S. Appl. No. 12/322,377, dated May 2, 2014.
 Office Action for U.S. Appl. No. 14/313,989, dated Sep. 24, 2014.
 Office Action for U.S. Appl. No. 14/313,989, dated Feb. 9, 2015.
 Notice of Allowance for U.S. Appl. No. 14/313,989, dated Jul. 21, 2015.
 Notice of Allowance for U.S. Appl. No. 14/313,989, dated Nov. 5, 2015.
 Notice of Allowance for U.S. Appl. No. 14/313,989, dated Feb. 17, 2016.
 Notice of Allowance for U.S. Appl. No. 14/313,989, dated Jun. 17, 2016.
 Office Action for U.S. Appl. No. 15/343,472, dated Jun. 28, 2017.
 Notice of Allowance for U.S. Appl. No. 15/343,472, dated Oct. 5, 2017.
 Notice of Allowance for U.S. Appl. No. 15/343,472, dated Jan. 26, 2018.
 Notice of Allowance for U.S. Appl. No. 15/343,472, dated Jun. 1, 2018.
 Office Action for U.S. Appl. No. 16/102,859, dated Sep. 5, 2018.
 Notice of Allowance for U.S. Appl. No. 16/102,859, dated Jan. 4, 2019.
 Notice of Allowance for U.S. Appl. No. 16/102,859, dated Apr. 15, 2019.
 Restriction Requirement for U.S. Appl. No. 11/078,857, dated Jun. 5, 2007.
 Office Action for U.S. Appl. No. 11/078,857, dated Sep. 5, 2007.
 Office Action for U.S. Appl. No. 11/078,857, dated Apr. 7, 2008.
 Advisory Action for U.S. Appl. No. 11/078,857, dated Jun. 27, 2008.
 Office Action for U.S. Appl. No. 11/078,857, dated Sep. 22, 2008.
 U.S. Appl. No. 13/831,419, filed Mar. 14, 2013.
 Office Action for U.S. Appl. No. 13/831,419, dated Apr. 27, 2015.
 Office Action for U.S. Appl. No. 13/831,419, dated Aug. 12, 2015.
 Notice of Allowance for U.S. Appl. No. 13/831,419, dated Jan. 28, 2016.

(56)

References Cited

OTHER PUBLICATIONS

- Office Action for U.S. Appl. No. 13/831,419, dated Apr. 28, 2016.
Office Action for U.S. Appl. No. 13/831,419, dated Nov. 17, 2016.
Office Action for U.S. Appl. No. 13/831,419, dated Feb. 1, 2017.
Notice of Allowance for U.S. Appl. No. 13/831,419, dated Jun. 6, 2017.
Office Action for U.S. Appl. No. 13/831,419, dated Oct. 20, 2017.
Office Action for U.S. Appl. No. 13/831,419, dated Jun. 8, 2018.
U.S. Appl. No. 13/831,445, filed Mar. 14, 2013.
Office Action for U.S. Appl. No. 13/831,445, dated Feb. 20, 2015.
Notice of Allowance for U.S. Appl. No. 13/831,445, dated Oct. 21, 2016.
Notice of Allowance for U.S. Appl. No. 13/831,445, dated Jan. 9, 2017.
Corrected Notice of Allowance for U.S. Appl. No. 13/831,445, dated Jan. 23, 2017.
Notice of Allowance for U.S. Appl. No. 13/831,445, dated Apr. 25, 2017.
Office Action for U.S. Appl. No. 13/831,445, dated Feb. 6, 2018.
Notice of Allowance for U.S. Appl. No. 13/831,445, dated Aug. 8, 2018.
“±1.5g Dual Axis Micromachined Accelerometer”, Freescale Semiconductor, Inc., Motorola Semiconductor Technical Data, MMA6260Q, Jun. 2004, pp. 1-7.
“APA Announces Shipment of the SunUV™ Personal UV Monitor”, Press Release, Nov. 7, 2003, pp. 1-3.
“Camera Specs Take Candid Snaps”, BBC News, Sep. 18, 2003, pp. 1-3.
“Cardo Wireless Attaching Clips and Wearing Headset”, Cardo Systems, Inc., <http://www.cardowireless.com/clips.php>, downloaded Nov. 27, 2004, pp. 1-3.
“Environmental Health Criteria 14: Ultraviolet Radiation”, International Programme on Chemical Safety, World Health Organization Geneva, 1979 <http://www.ichem.org>, pp. 1-102.
“Exclusive Media Event Marks Debut of Oakley Thump: World’s First Digital Audio Eyewear”, Oakley Investor Relations, Press Release, Nov. 15, 2004, pp. 1-2.
“Eyetop”, Product-Features, eyetop eyewear, eyetop belt worn, <http://www.eyetop.net/products/eyetop/features.asp>, downloaded Nov. 6, 2003, pp. 1-2.
“Heart Rate Monitors”, <http://www.healthgoods.com>, downloaded Dec. 4, 2004.
“How is the UV Index Calculated”, SunWise Program, U.S. Environmental Protection Agency, <http://www.epa.gov/sunwise/uvcalc.html>, downloaded Oct. 14, 2004, pp. 1-2.
“Industrial UV Measurements”, APA Optics, Inc., <http://www.apaoptics.com/uv/>, downloaded Jul. 12, 2004, p. 1.
“Motorola and Oakley Introduce First Bluetooth Sunglasses-Cutting Edge RAZRWire Line Offers Consumers On-The-Go Connections”, Motorola Mediacenter-Press Release, Feb. 14, 2005, pp. 1-2.
“Oakley Thump: Sunglasses Meet MP3 Player”, with image, <http://news.designtechnica.com/article4665.html>, Jul. 13, 2004.
“Personal UV monitor.” Optics.org, <http://optics.org/articles/news/6/6/7/1> (downloaded Dec. 20, 2003), Jun. 9, 2000, pp. 1-2.
“SafeSun Personal Ultraviolet Light Meter”, <http://healthchecksyste.ms.com/safesun.htm>, downloaded Jul. 12, 2004, pp. 1-4.
“SafeSun Personal UV Meter”, Introduction, Optix Tech Inc., <http://www.safesun.com>, downloaded Feb. 5, 2004, pp. 1-2.
SafeSun Personal UV Meter, features, Optix Tech Inc., <http://www.safesun.com/features.html>, downloaded May 1, 2004, pp. 1-2.
“Sharper Image—The FM Pedometer”, e-Corporate Gifts.com, <http://www.e-corporategifts.com/sr353.html>, downloaded Jan. 22, 2005, pp. 1-2.
“Sun UV™ Personal UV Monitor”, APA Optics, Inc., <http://www.apaoptics.com/sunuv/uvfacts.html>, downloaded Dec. 20, 2003, pp. 1-3.
“Ultraviolet Light and Sunglasses”, Oberon’s Frequently Asked Questions, <http://www.oberoncompany.com/OBEnglish/FAQUV.html>, downloaded Feb. 5, 2004, pp. 1-2.
“Ultraviolet Light Sensor”, Barrett & Associates Engineering, http://www.barrettengineering.com/project_uv.htm, downloaded Feb. 5, 2004, pp. 1-3.
“Ultraviolet Radiation (UVR)”, Forum North, Ontario Ministry of Labour, <http://www3.mb.sympatico.ca/~eric/ULTRAVIOLET%20RADIATION.htm>, downloaded Feb. 5, 2004, pp. 1-6.
“What Are Gripples?”, Gripping Eyewear, Inc., <http://www.grippingeyewear.com/whatare.html>, downloaded Nov. 2, 2005.
“With Racing Heart”, Skaloud et al., GPS World, Oct. 1, 2001, <http://www.gpsworld.com/gpsworld/content/printContentPopup.jsp?id=1805>, pp. 1-5.
Abrisa Product Information: Cold Mirrors, Abrisa, Jun. 2001, p. 1.
Abrisa Product Information: Commercial Hot Mirror, Abrisa, Jun. 2001, p. 1.
Alps Spectacle, Air Conduction Glass, Bone Conduction Glass, <http://www.alps-inter.com/spec.htm>, downloaded Dec. 10, 2003, pp. 1-2.
Altimeter and Compass Watches, <http://store.yahoo.com/snowshack/altimeter-watches.html>, downloaded May 3, 2004, pp. 1-2.
Bone Conduction Headgear HG16 Series, “Voiceducer,” <http://www.temco-j.co.jp/html/English/HG16.html>, downloaded Dec. 10, 2003, pp. 1-3.
Carnoy, David, “The Ultimate MP3 Player for Athletes? Could be.”, CNET Reviews, May 14, 2004, pp. 1-4.
Clifford, Michelle A., “Accelerometers Jump into the Consumer Goods Market”, Sensors Online, <http://www.sensorsmag.com>, Aug. 2004.
Comfees.com, Adjustable Sports Band Style No. 1243, <http://shop.store.yahoo.com/comfees/adsporbanssty.html>, downloaded Apr. 18, 2003, pp. 1-2.
Cool Last Minute Gift Ideas!, UltimateFatBurner Reviews and Articles, <http://www.ultimatefatburner.com/gift-ideas.html>, downloaded May 10, 2005, pp. 1-3.
Dickie et al. “Eye Contact Sensing Glasses for Attention-Sensitive Wearable Video Blogging,” Human Media Lab, Queen’s University, Kingston, ON K7L 3N6, Canada, est. Apr. 2004, pp. 1-2.
Dixen, Brian, “ear-catching”, Supertesten, Mobil, Apr. 2003 (estimated), pp. 37-41.
Global Solar UV Index, A Practical Guide, World Health Organization, 2002, pp. 1-28.
Grobart, Sam, “Digit-Sizing Your Computer Data”, News Article, Sep. 2004, p. 1.
Life Monitor V1.1, Rhusoft Technologies Inc., <http://www.rhusoft.com/lifemonitor/>, Mar. 1, 2003, pp. 1-6.
Manes, Stephen, “Xtreme Cam”, Forbes Magazine, Sep. 5, 2005, p. 96.
Mio, PhysiCal, <http://www.gophysical.com/>, downloaded Jan. 27, 2004, 5 pages.
Monitoring Athletes Performance—2002 Winter Olympic News from KSL, Jan. 23, 2002, <http://2002.ksl.com/news-3885i>, pp. 1-3.
NIWA, “UV Index Information”, <http://www.niwa.cri.nz/services/uvzone/uvi-info>, downloaded Jul. 15, 2004, pp. 1-2.
NuVision 60GX Steroscopic Wireless Glasses, Product Information, NuVision by MacNaughton, c. 1997, MacNaughton, Inc., pp. 1-2.
Pärkkä, Juha, et al., “A Wireless Wellness Monitor for Personal Weight Management”, VTT Information Technology, Tampere, Finland, Nov. 2000, p. 1.
Pedometer, Model HJ-112, Omron Instruction Manual, Omron Healthcare, Inc., 2003, pp. 1-27.
PNY Announces Executive Attaché USB 2.0 Flash Drive and Pen Series, Press Release, PNY Technologies, Las Vegas, Jan. 8, 2004, pp. 1-2.
PNY Technologies, “Executive Attaché” <http://www.pny.com/products/flash/execattache.asp> downloaded Nov. 16, 2005.
Polar WM41 and 42 weight management monitor, http://www.simplysports/polar/weight_management/wm41-42.htm, downloaded Jan. 28, 2004, pp. 1-3.
Questions Answers, Pedometer.com, <http://www.pedometer.com>, downloaded May 5, 2005.
RazrWire, copyright Motorola, Inc., Jul. 2005, 1 page.

(56)

References Cited

OTHER PUBLICATIONS

SafeSun Personal UV Meter, Scientific Data, Optix Tech Inc., <http://www.safesun.com/scientific.html>, downloaded May 1, 2004, pp. 1-3.

SafeSun Sensor, User's Manual, Optix Tech Inc., Jun. 1998, 2 pages.

SafeSun, Personal UV Meter, "Technical Specifications", Optix Tech Inc., <http://www.safesun.com/technical.html>, downloaded Jul. 12, 2004, pp. 1-2.

SafeSun, Personal UV Meter, Experiments, Optix Tech Inc., <http://www.safesun.com/experiments.html>, downloaded Feb. 5, 2004, pp. 1-2.

Shades of Fun, Blinking Light Glasses, <http://www.shadesoffun.com/Nov/Novpgs-14.html>, downloaded Jul. 9, 2005, pp. 1-4.

SportLine Fitness Pedometer—Model 360, UltimateFatBurner Superstore, http://www.ultimatefatburner-store.com/ac_004.html, downloaded May 10, 2005, pp. 1-2.

Steele, Bonnie G. et al., "Bodies in motion: Monitoring daily activity and exercise with motion sensors in people with chronic pulmonary disease", VA Research & Development, Journal of Rehabilitation Research & Development, vol. 40, No. 5, Sep./Oct. 2003, Supplement 2, pp. 45-58.

Stevens, Kathy, "Should I Use a Pedometer When I Walk?", Healtheon/WebMD, Apr. 14, 2000.

Sundgot, Jørgen "2nd-gen Motorola Bluetooth headset", InfoSync World, Mar. 1, 2003, <http://www.infosync.no/news/2002/n/2841.html>, pp. 1-2.

SunSensors, Segan Industries, Inc., <http://www.segan-ind.com/sunsensor.htm>, downloaded Feb. 5, 2004, pp. 1-3.

SunUV™, Personal UV Monitor User's Guide, APA Optics, Inc., 2003 pp. 1-52.

SunUV™, Personal UV Monitor, APA Optics, Inc., <http://www.apaoptics.com/sunuv/models.html>, downloaded Dec. 20, 2003.

Talking Pedometer, Sportline, Inc., Jun. 2001 (Possibly earlier), 1 page.

The unofficial ELSA 3D Revelator page, Dec. 30, 1999, pp. 1-15.

Top Silicon PIN Photodiode, PD93-21C, Technical Data Sheet, Everlight Electronics Co., Ltd., 2004, pp. 1-9.

UV Light Meter, UVA and UVB measurement, UV-340, Instruction Manual, Lutron, Jun. 2003 (estimated), pp. 1-5.

UV-Smart, UVA/B Monitor, Model EC-960-PW, Instruction Manual, Tanita Corporation of America, Inc., downloaded Nov. 16, 2001.

Vitaminder Personal Carb Counter, <http://www.auravita.com/products/AURA/ORBU11420.asp>. Downloaded Nov. 15, 2005, pp. 1-4.

Yamada et al. "Development of an eye-movement analyser possessing functions for wireless transmission and autocalibration," Med. Biol. Eng. Comput., No. 28, v.4, Jul. 28, 1990, <http://link.springer.com/article/10.1007%2FBF02446149?LI=true>, pp. 1-2.

* cited by examiner

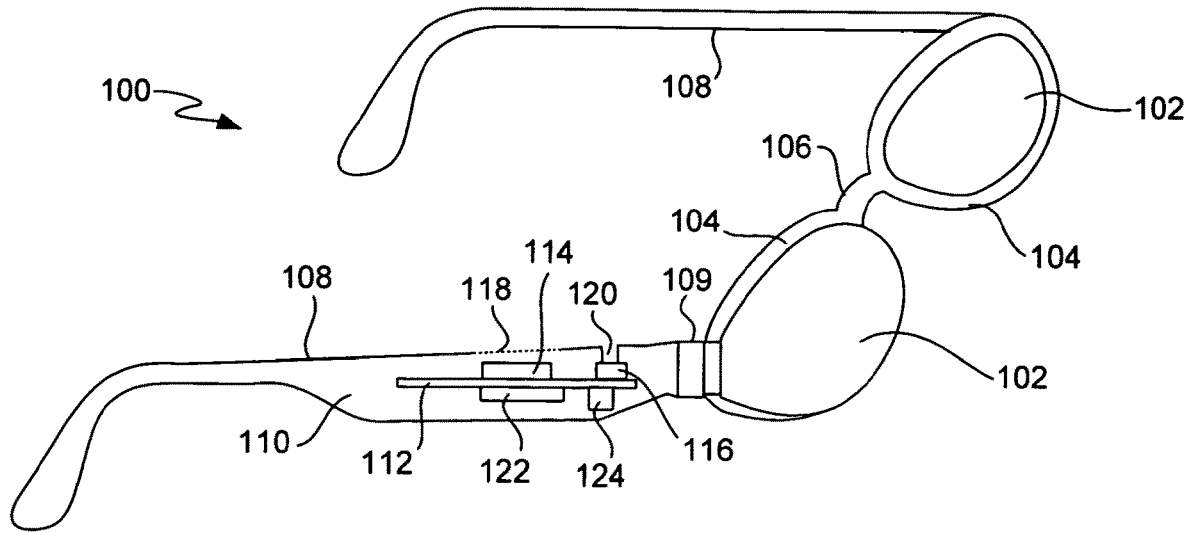


FIG. 1

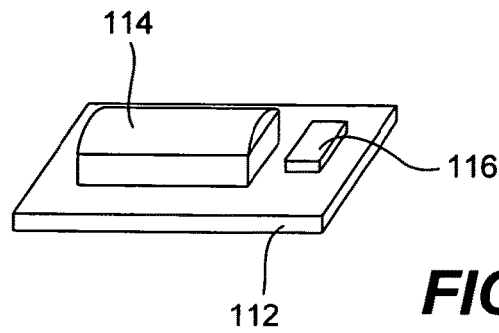


FIG. 2A

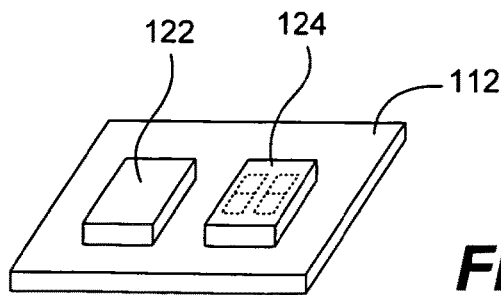


FIG. 2B

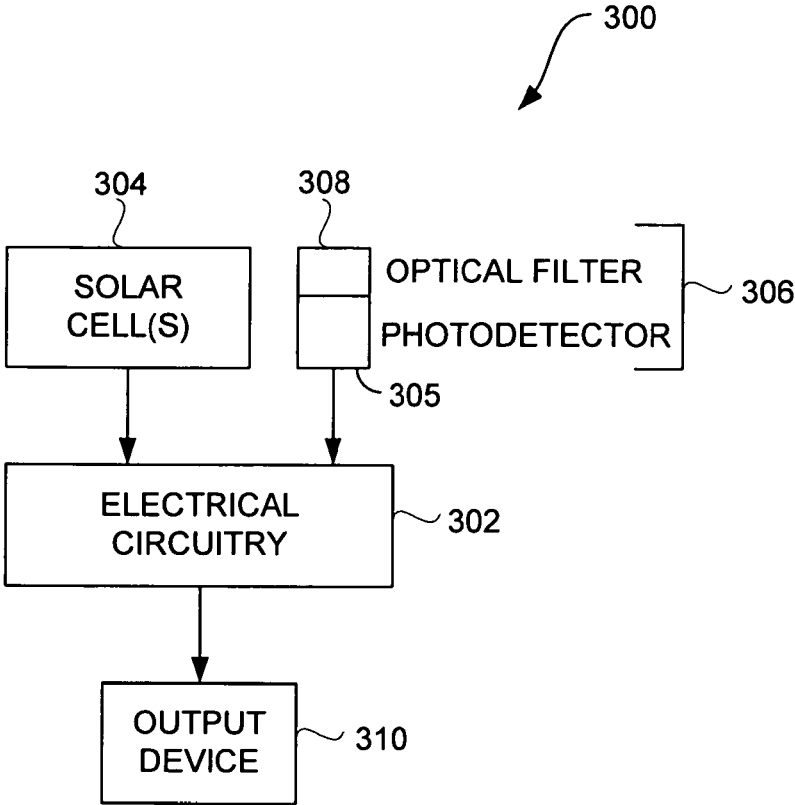


FIG. 3

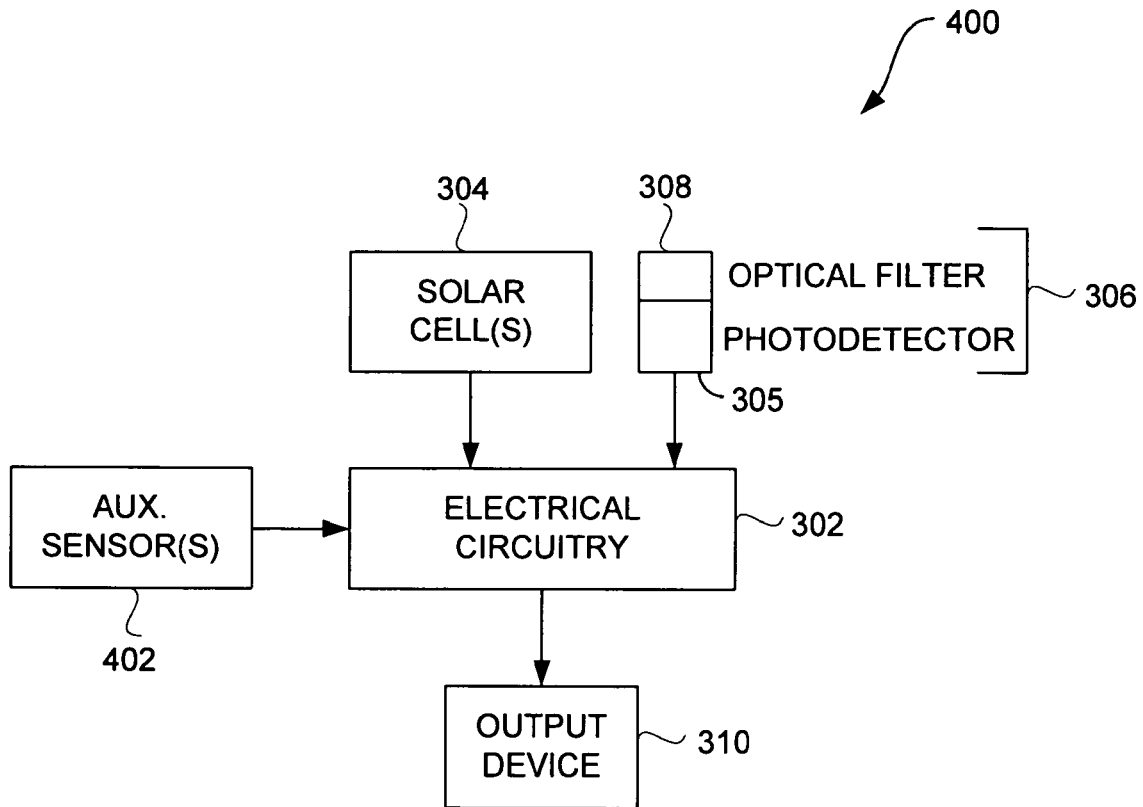


FIG. 4A

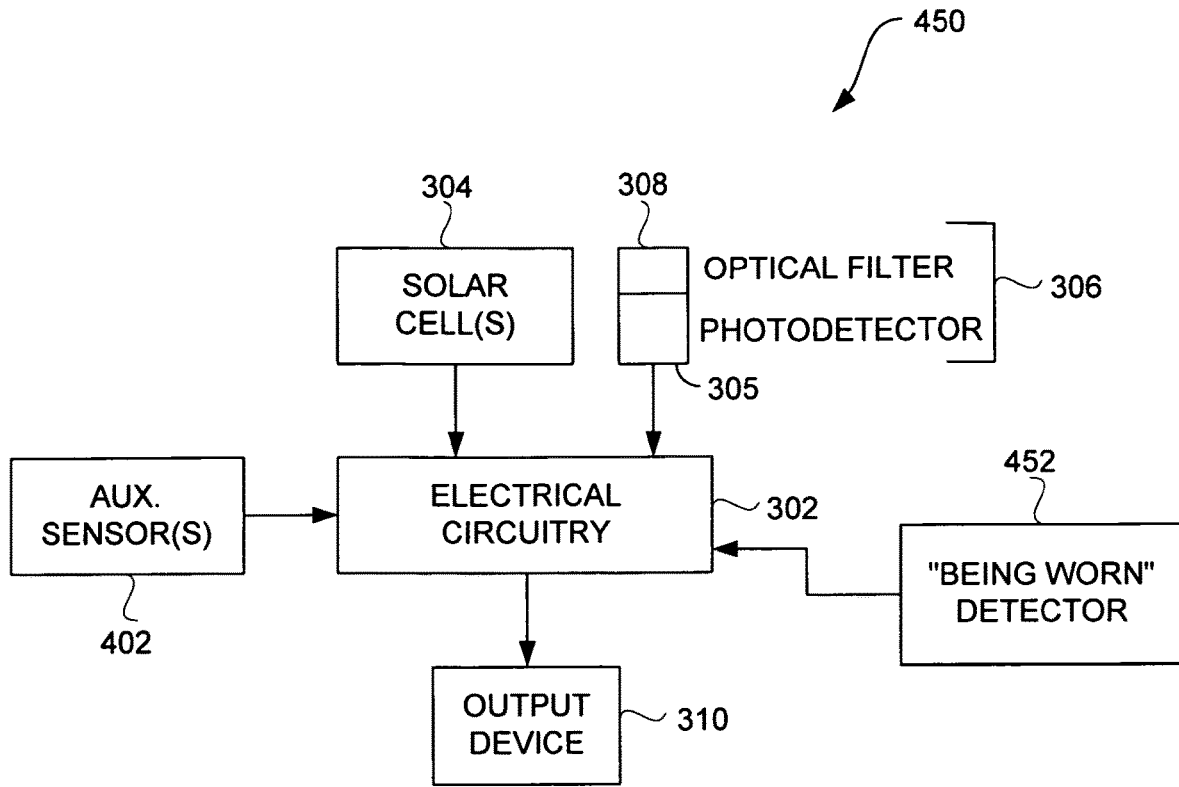


FIG. 4B

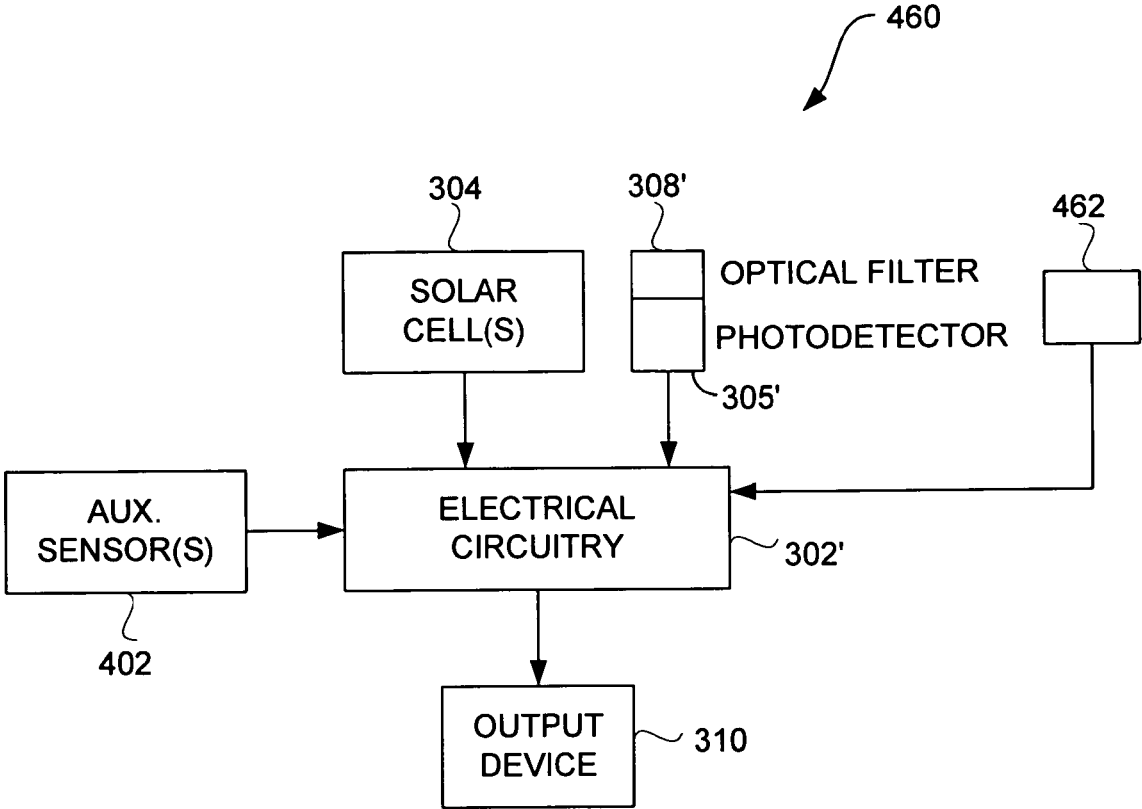


FIG. 4C

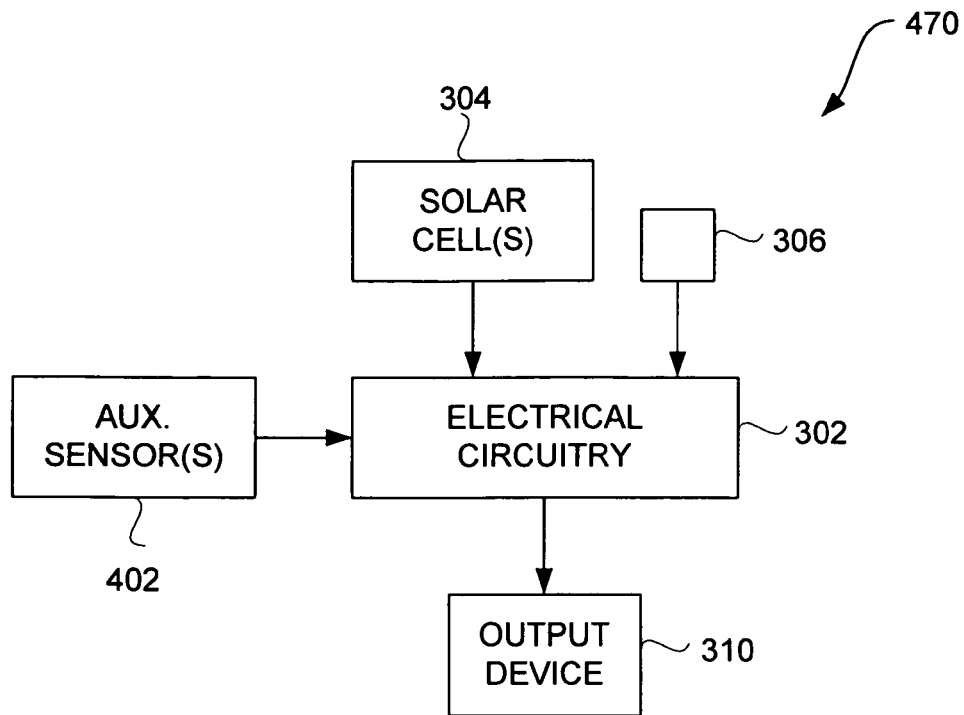


FIG. 4D

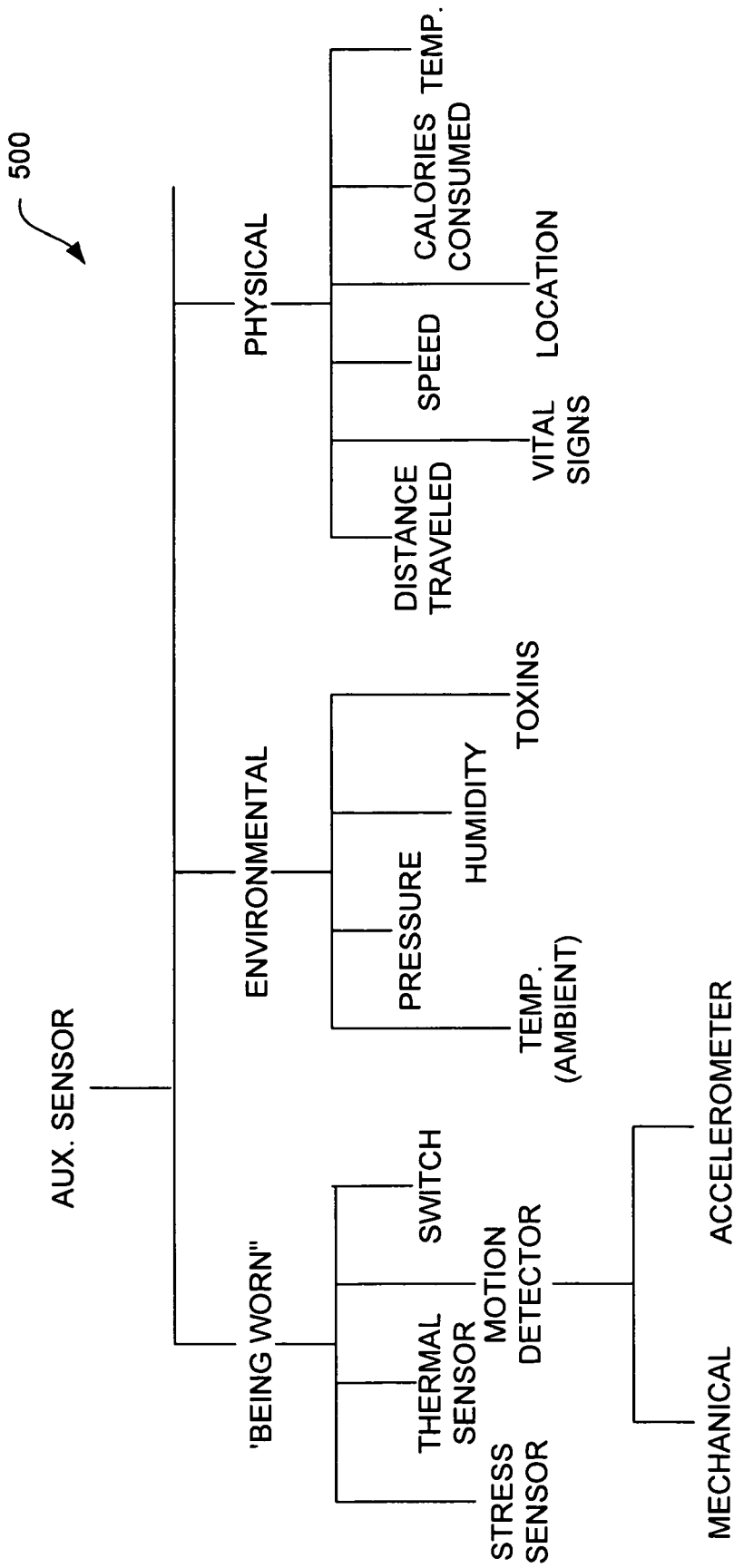


FIG. 5

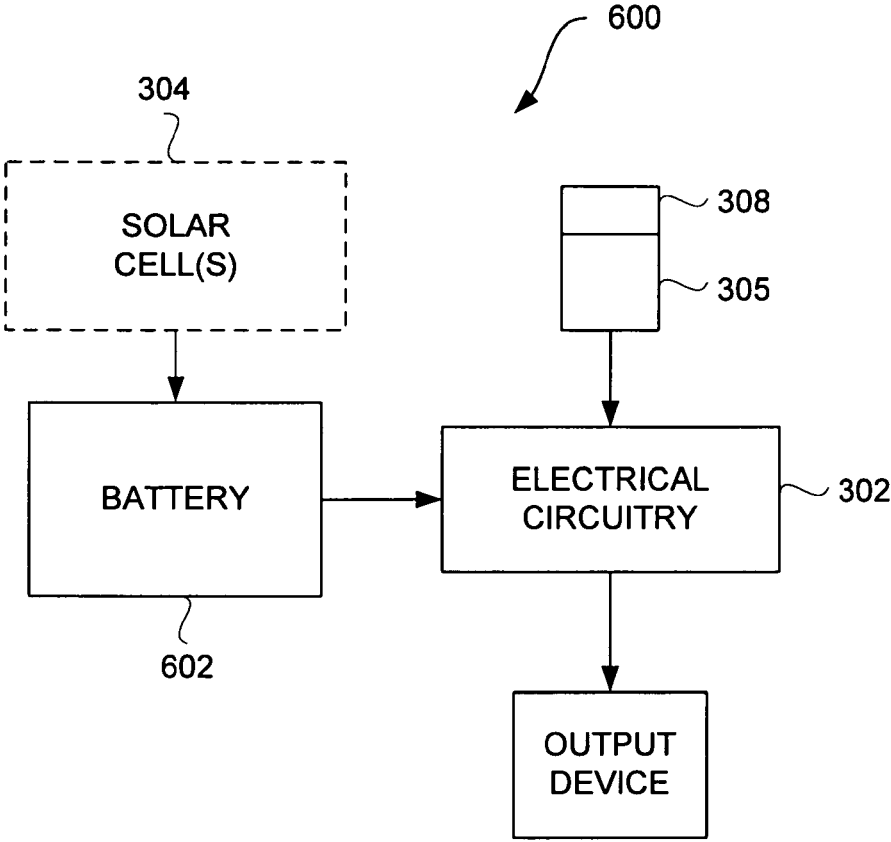


FIG. 6

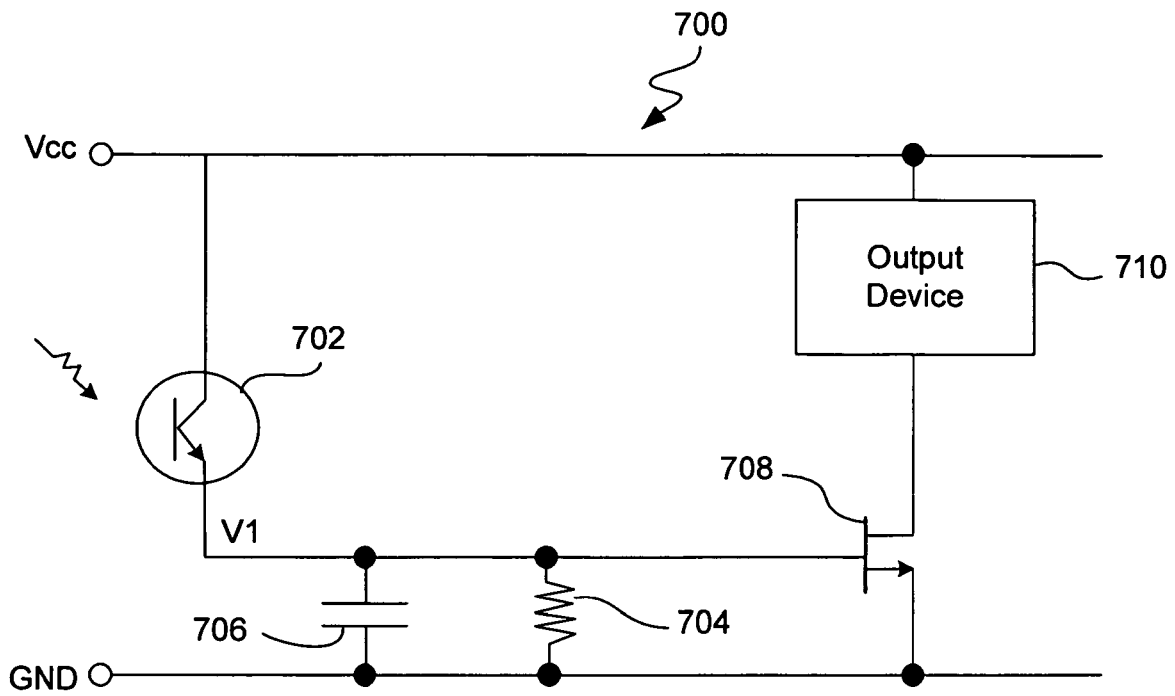


FIG. 7A

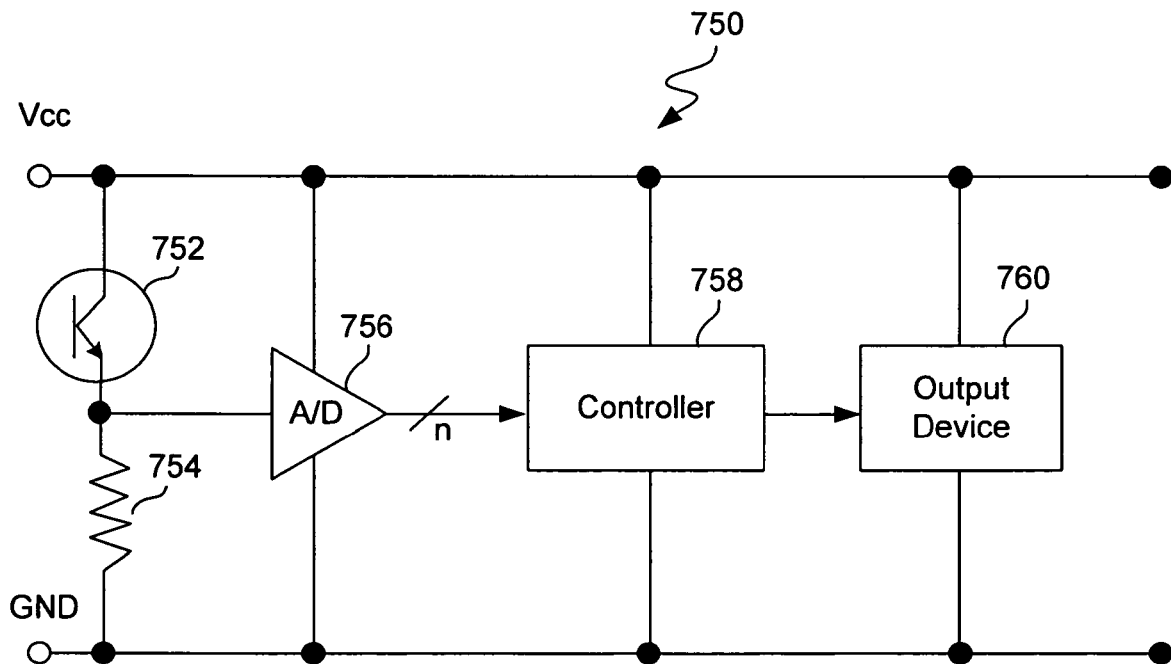


FIG. 7B

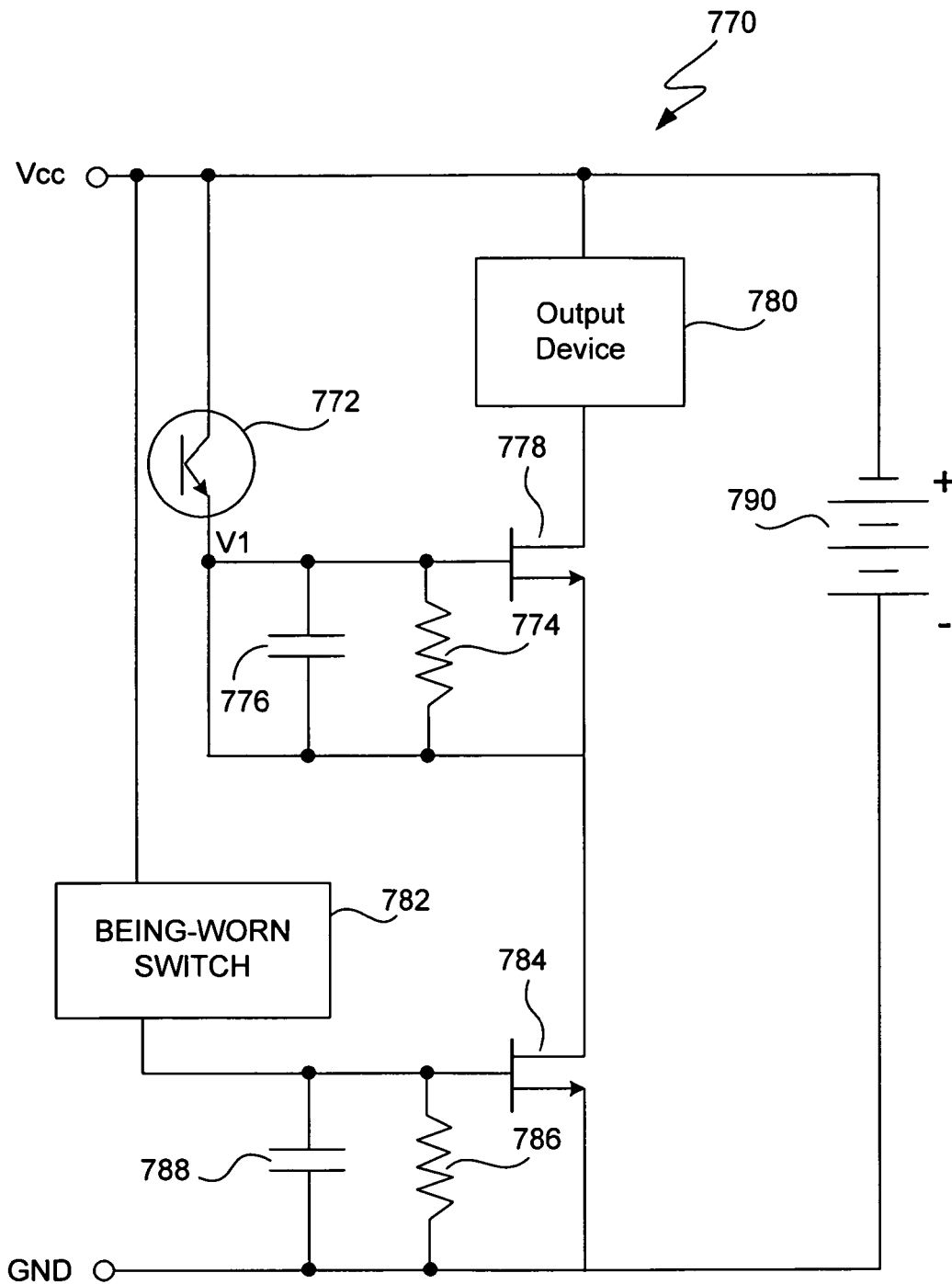


FIG. 7C

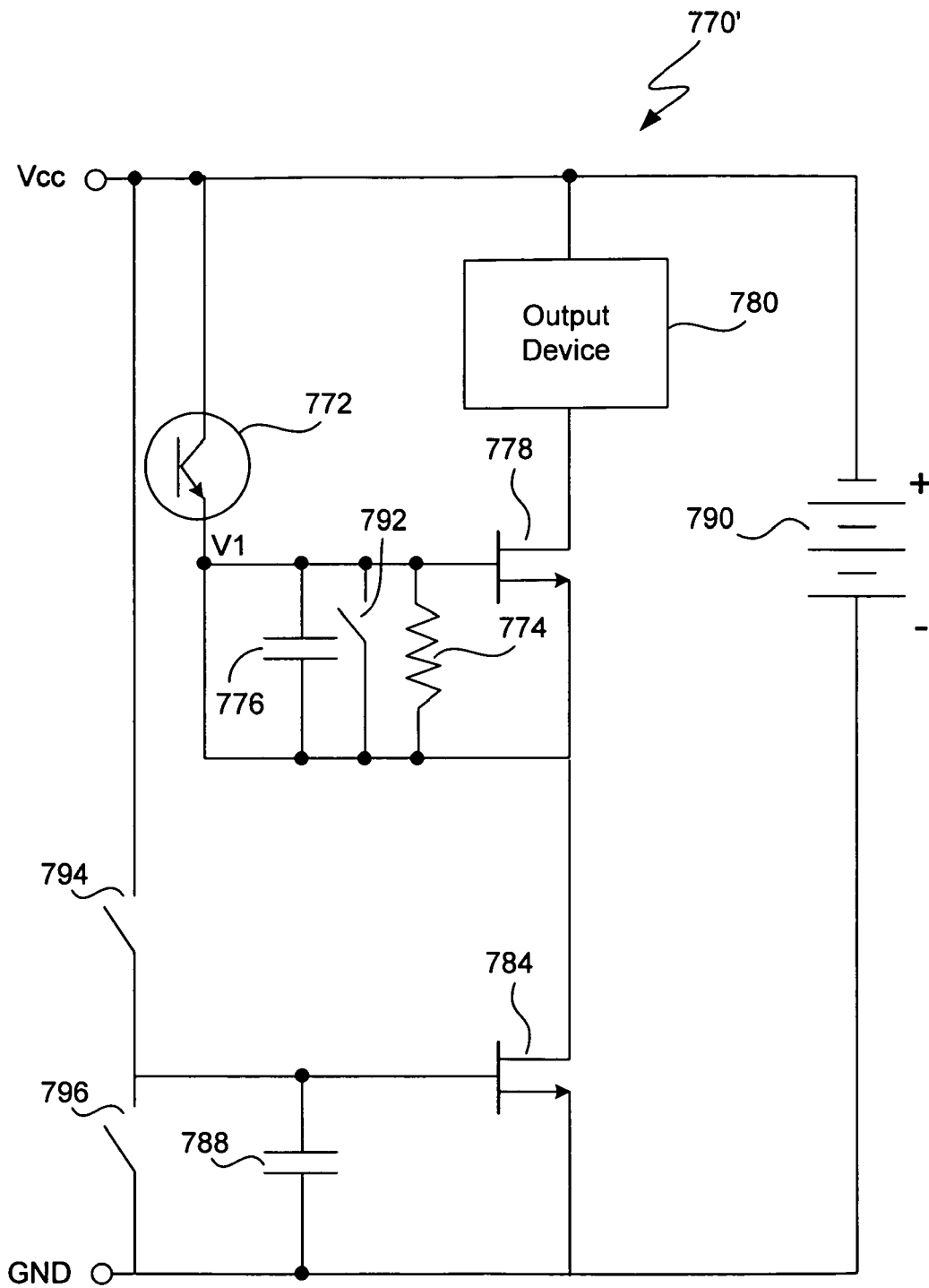


FIG. 7D

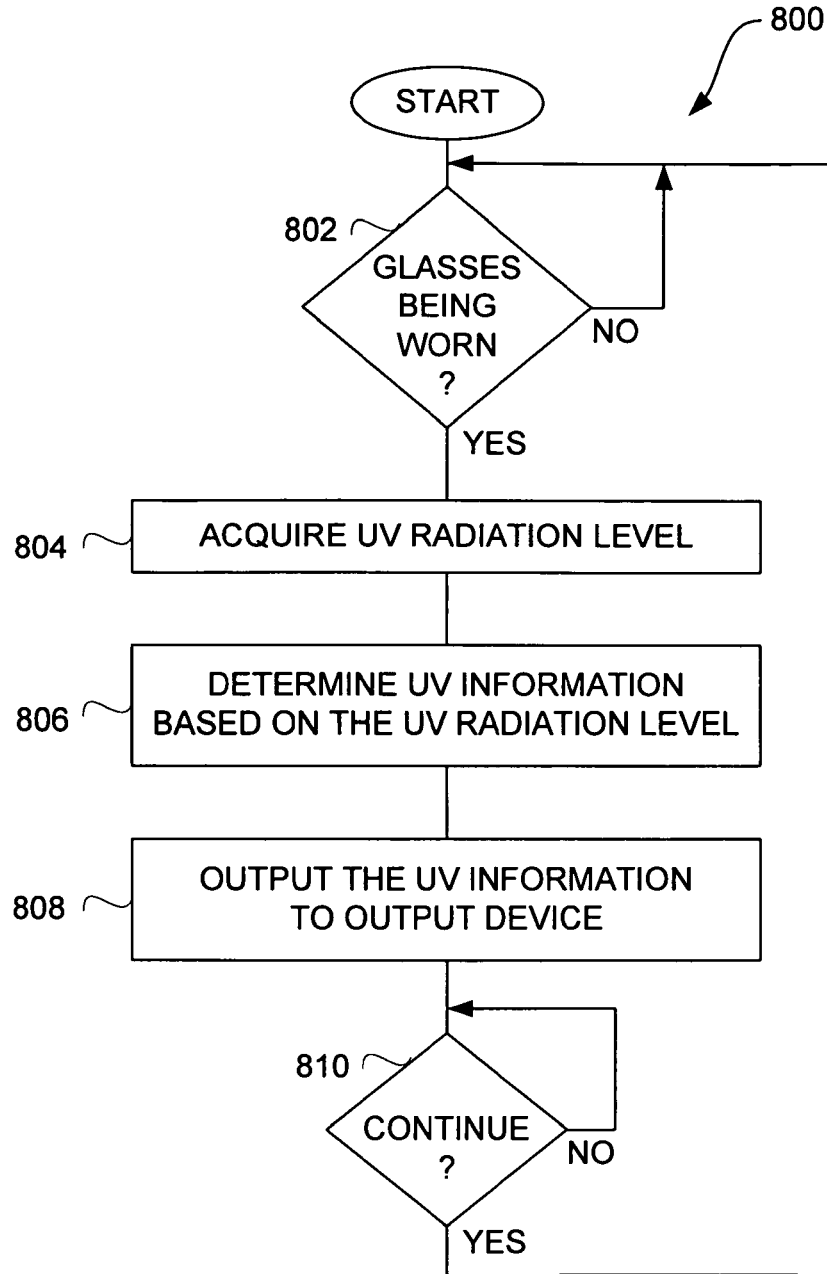


FIG. 8

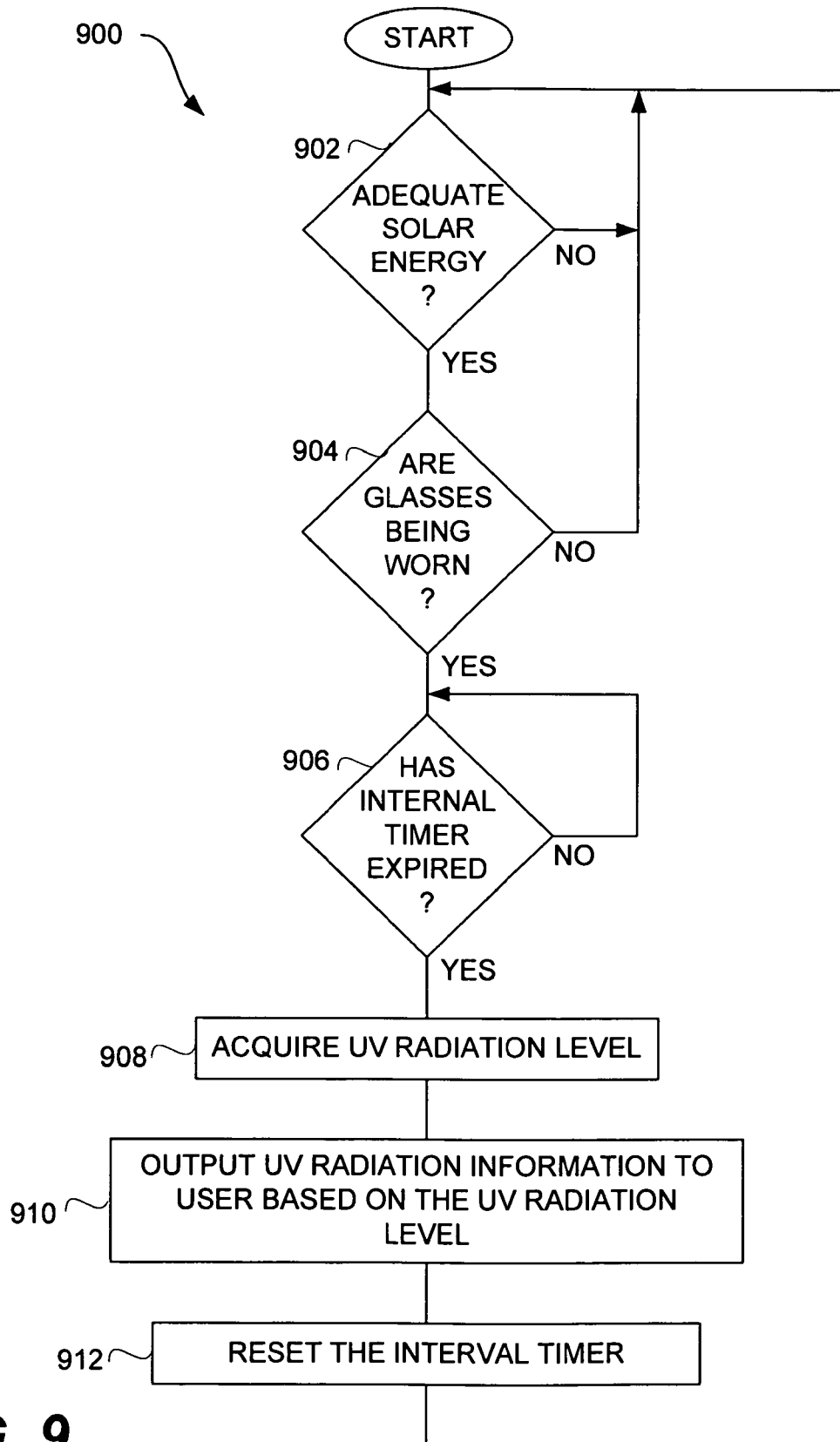


FIG. 9

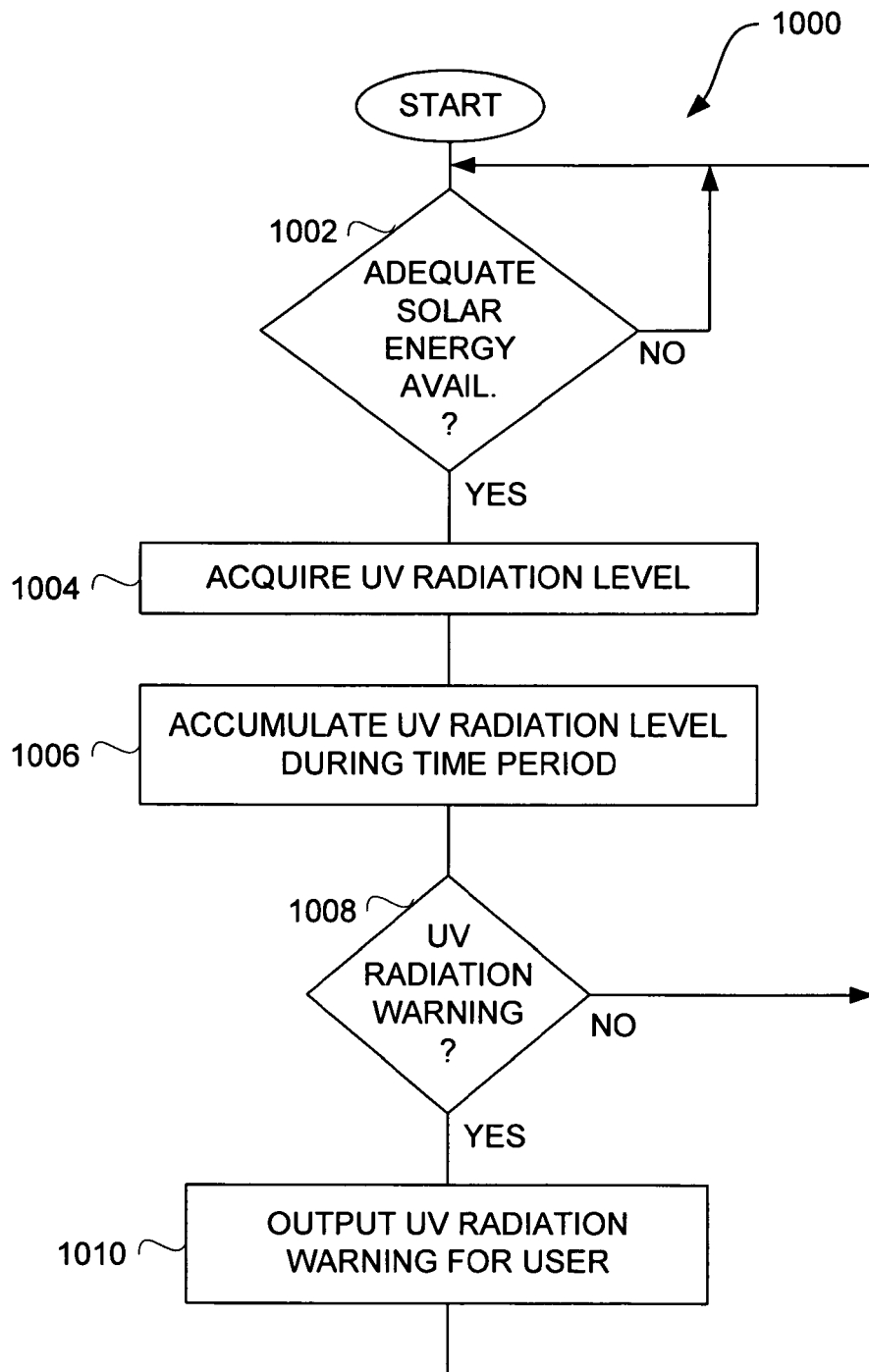


FIG. 10

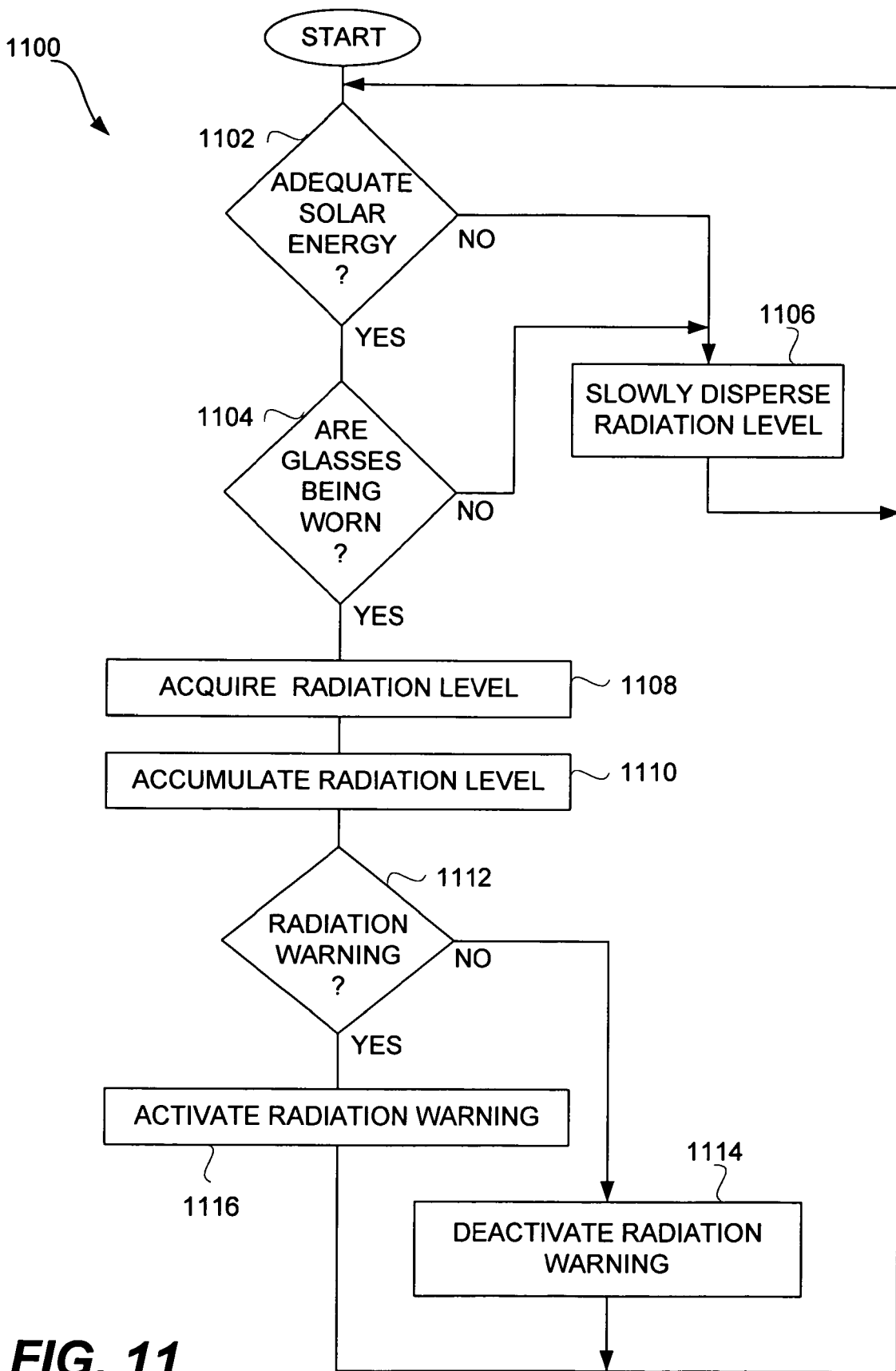


FIG. 11

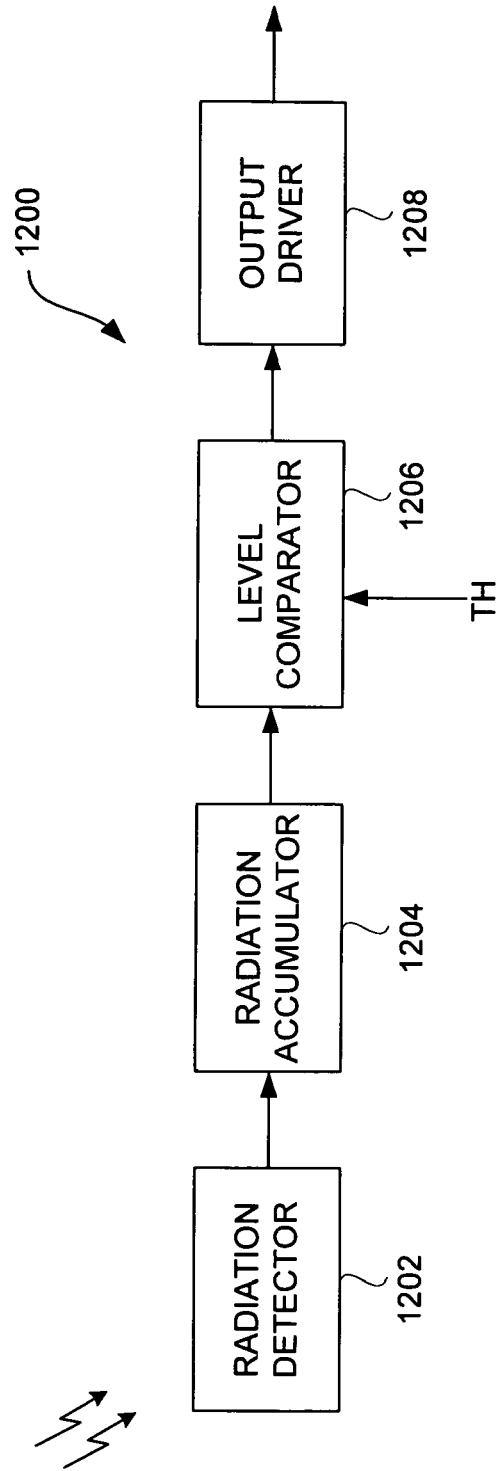


FIG. 12

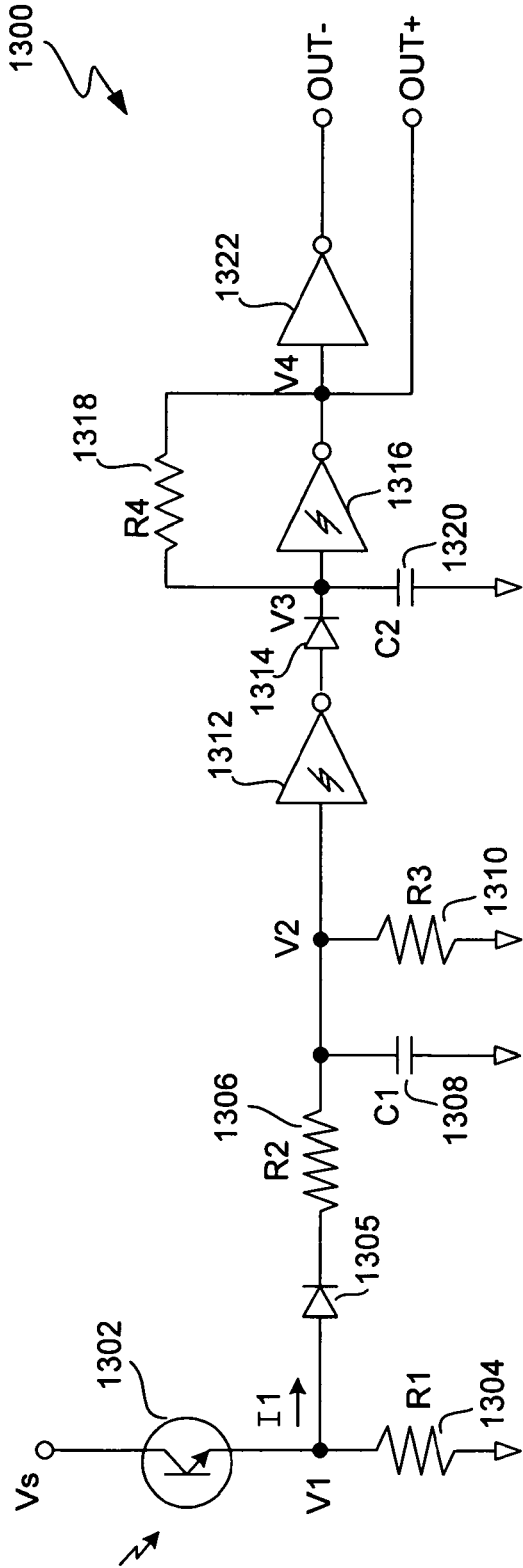


FIG. 13A

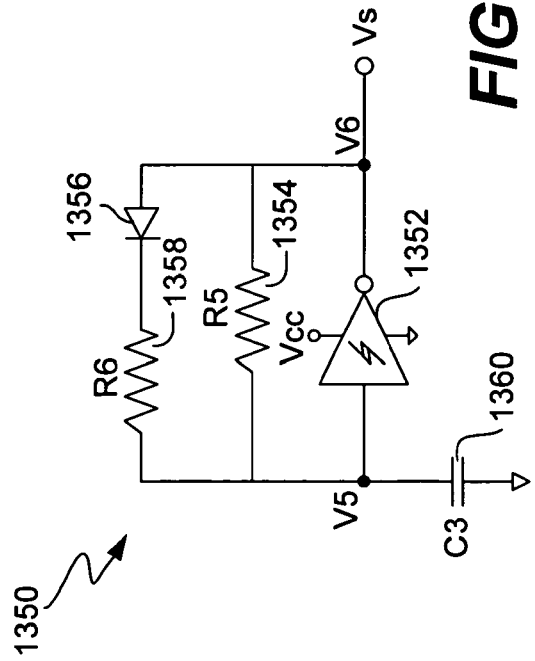


FIG. 13B

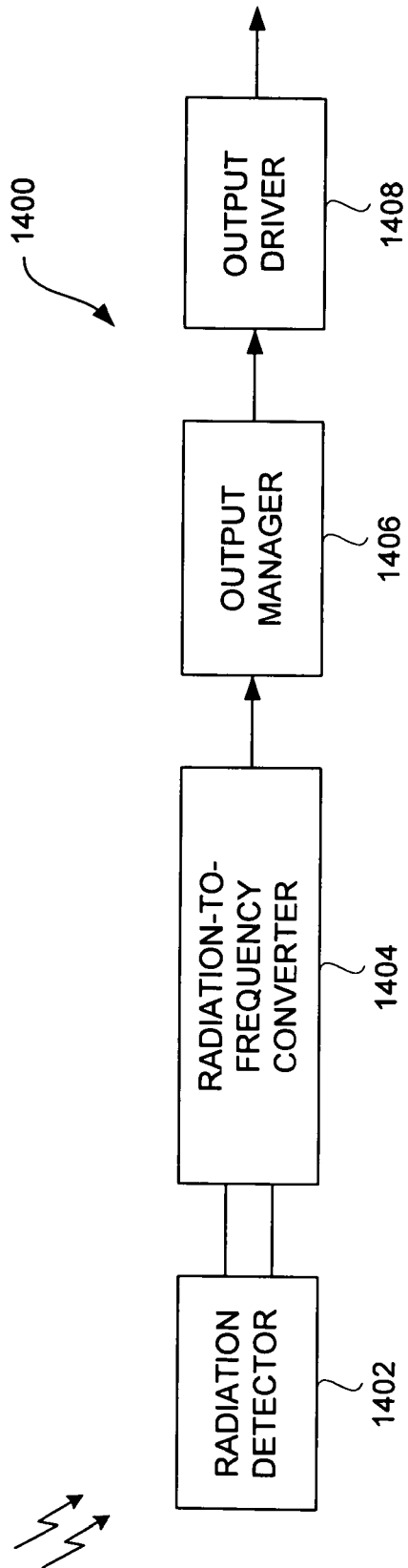


FIG. 14A

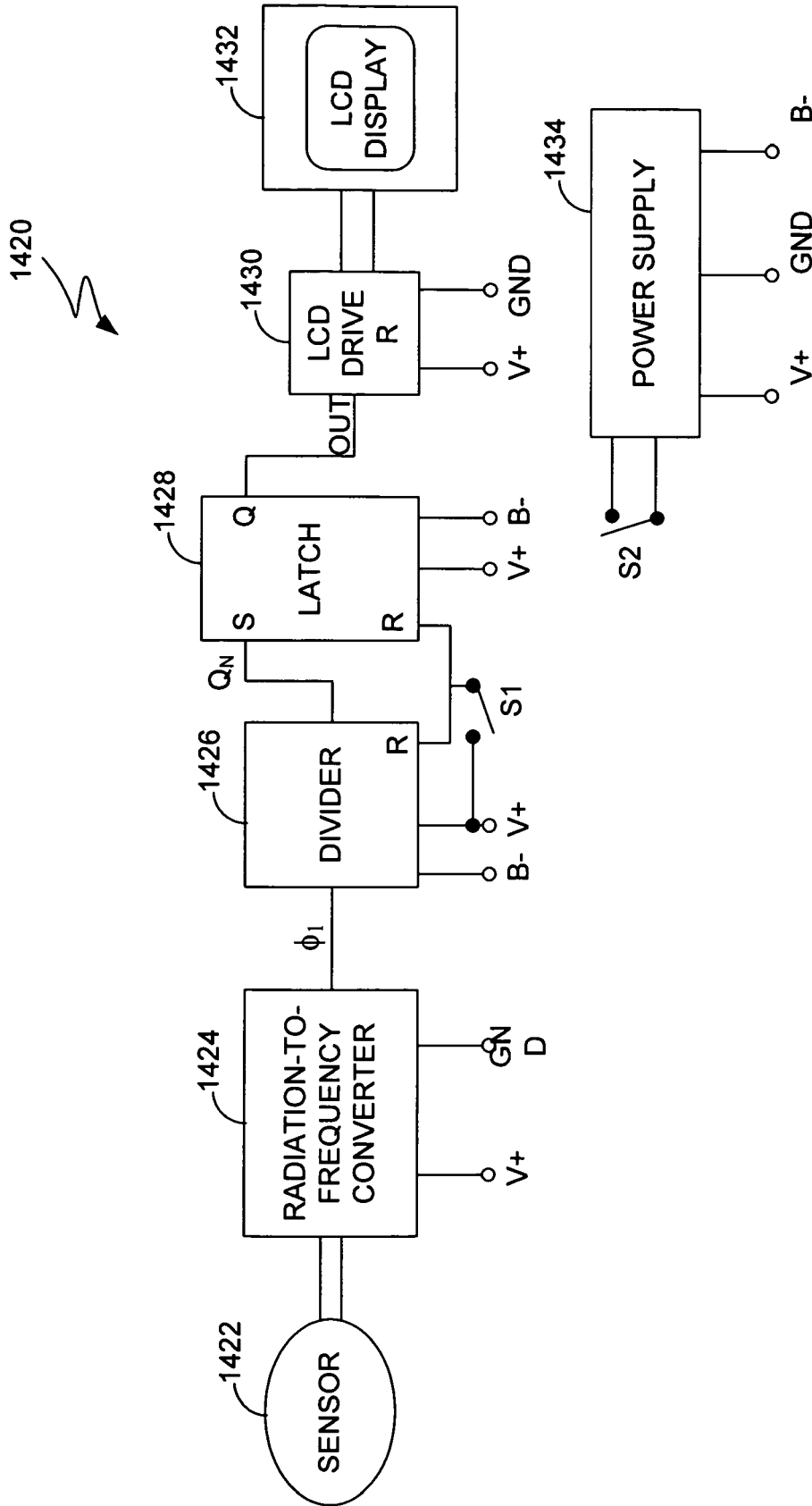


FIG. 14B

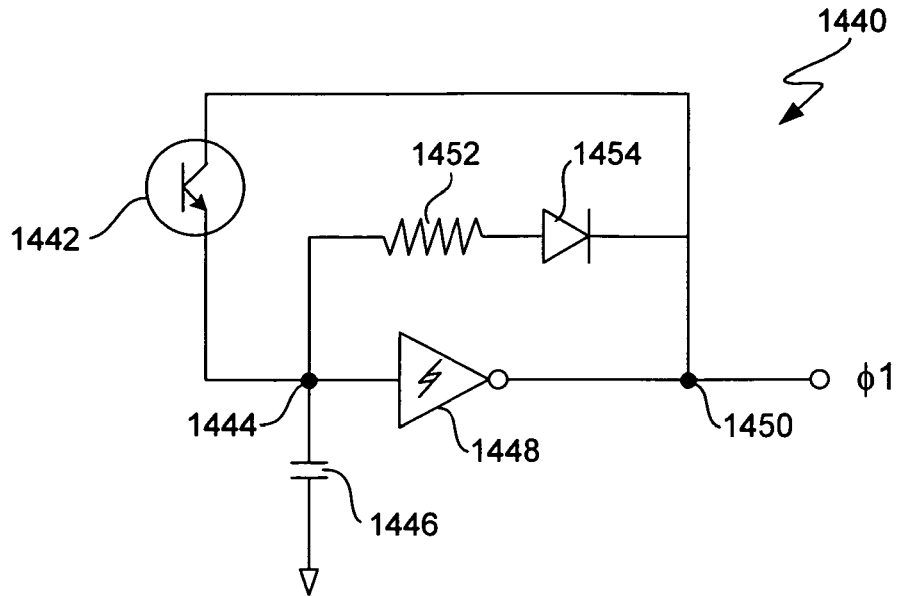


FIG. 14C

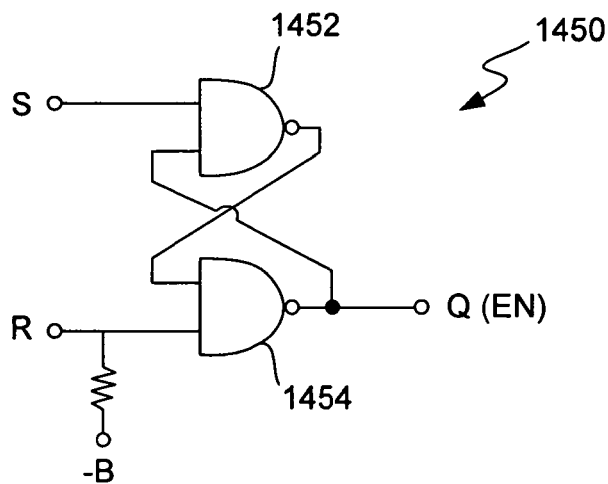


FIG. 14D

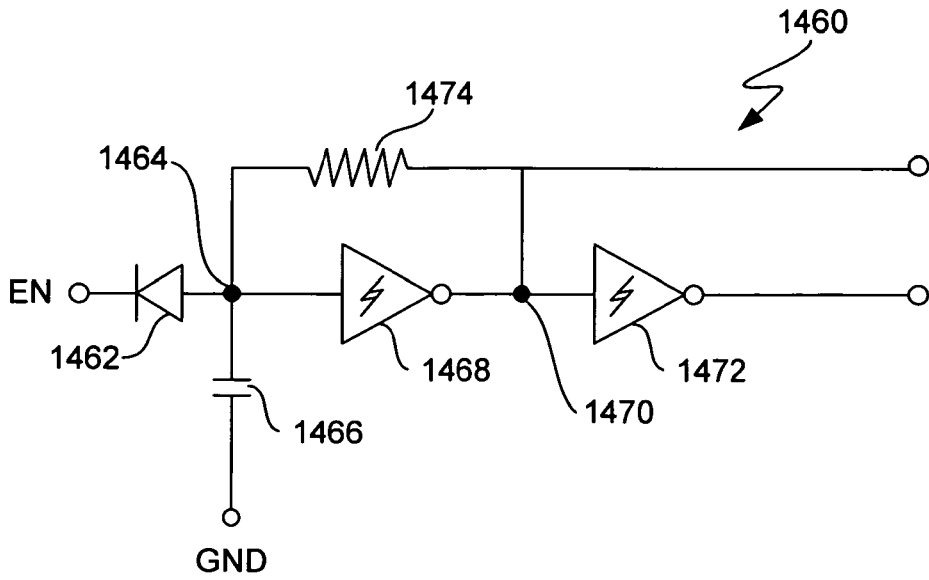


FIG. 14E

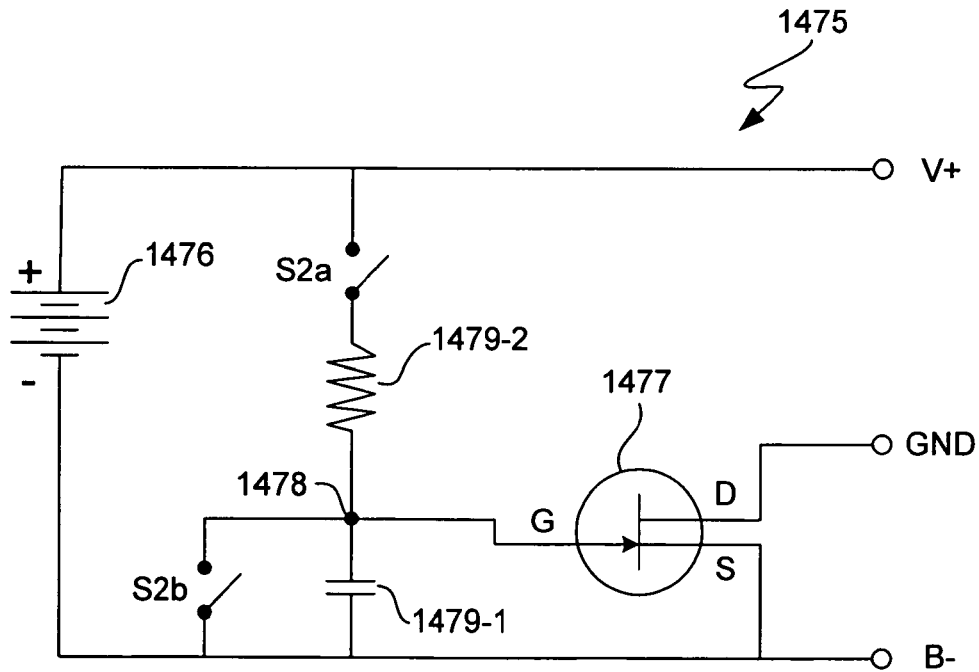


FIG. 14F

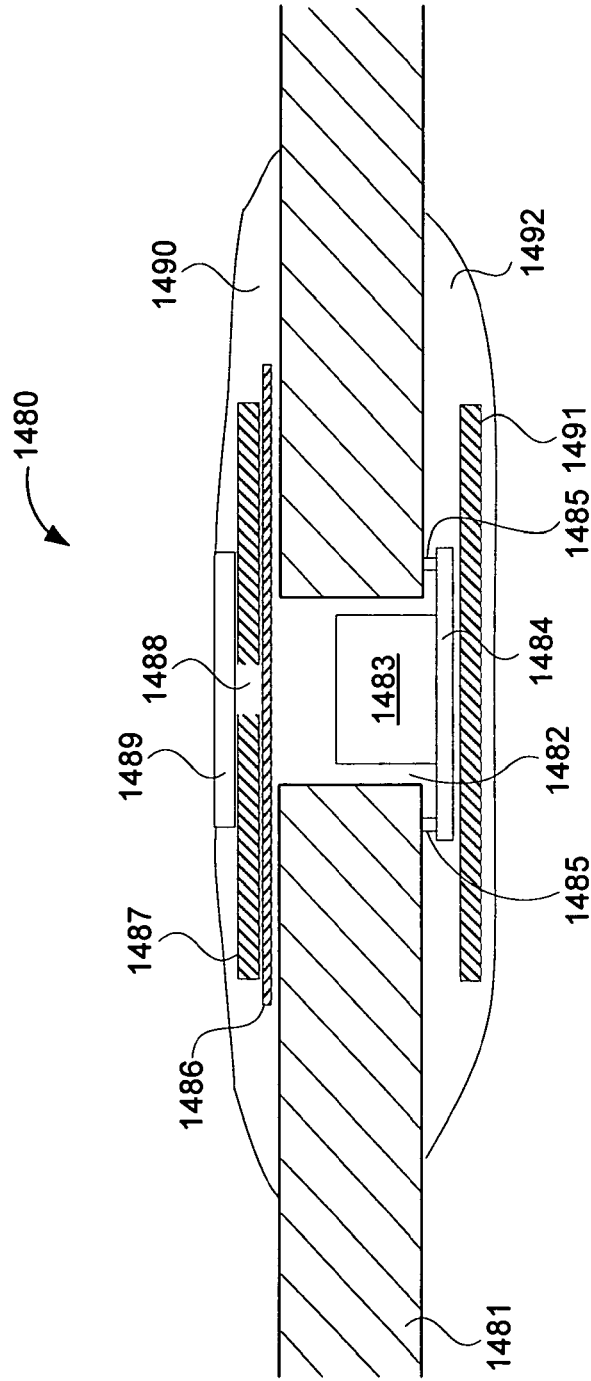


FIG. 14G

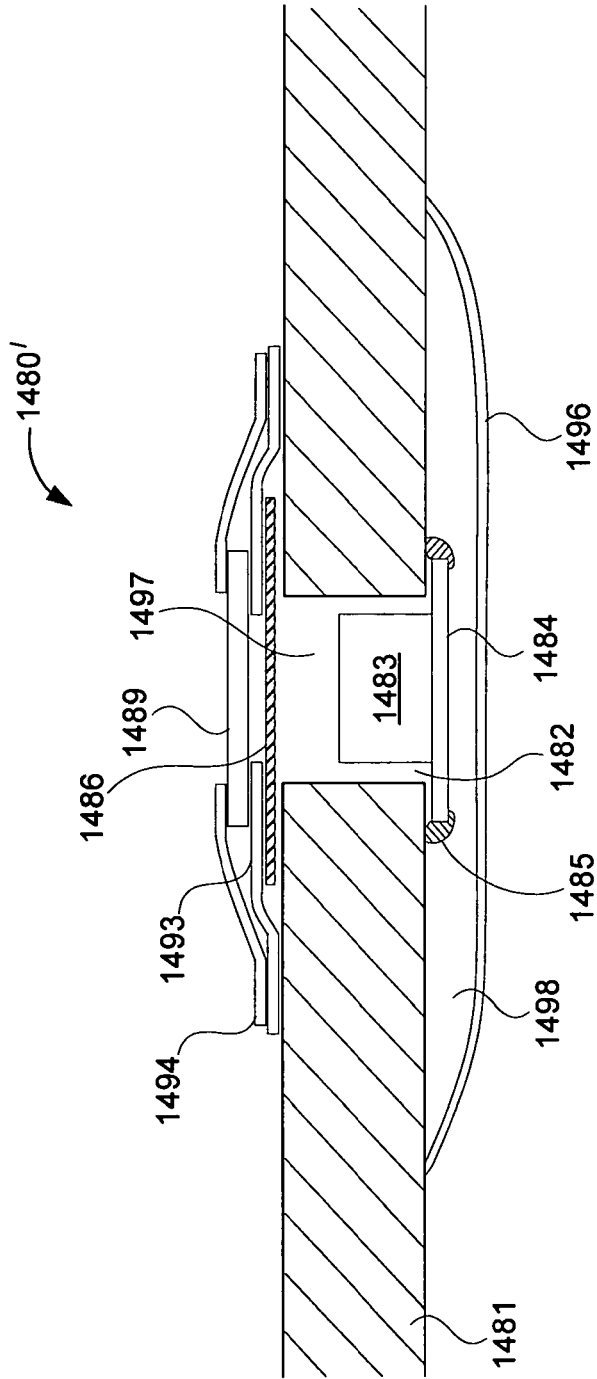


FIG. 14H

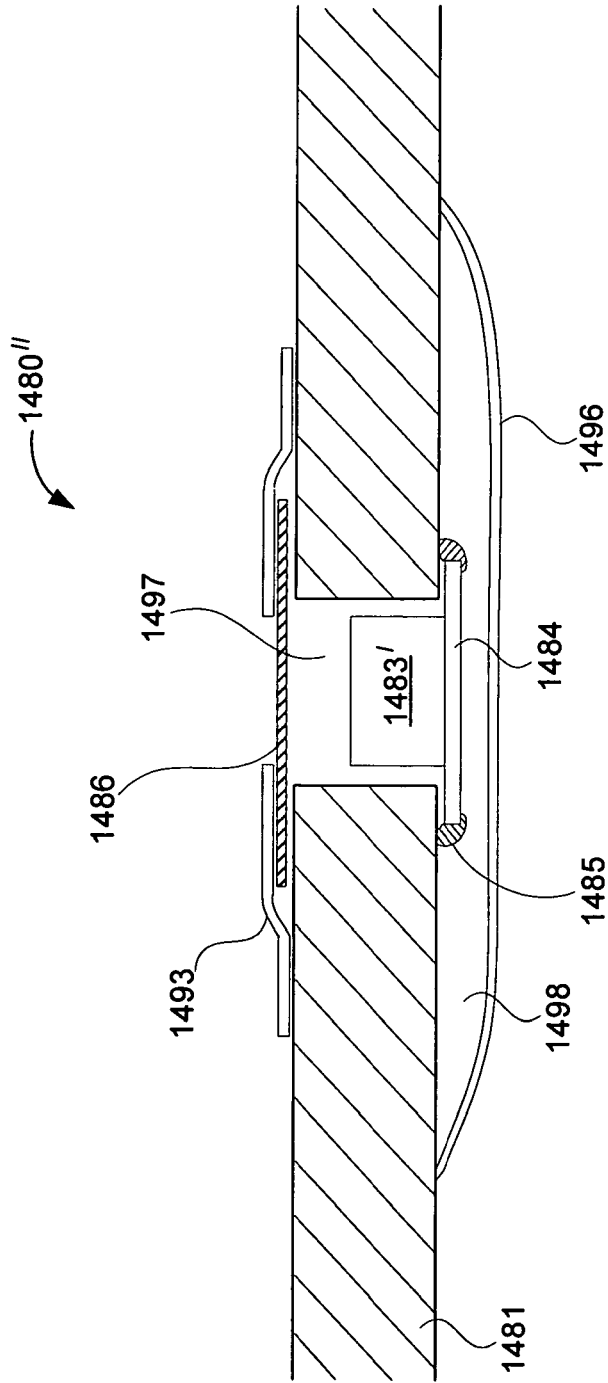


FIG. 14I

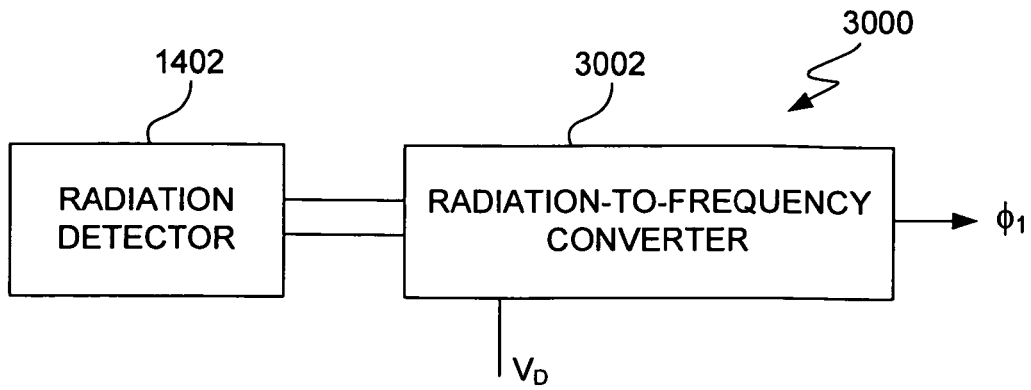


FIG. 14J

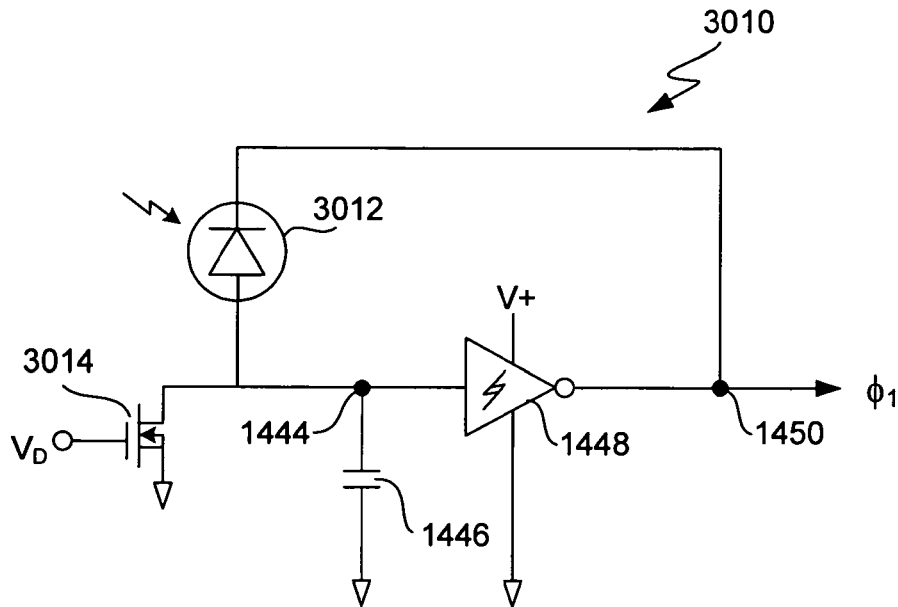


FIG. 14K

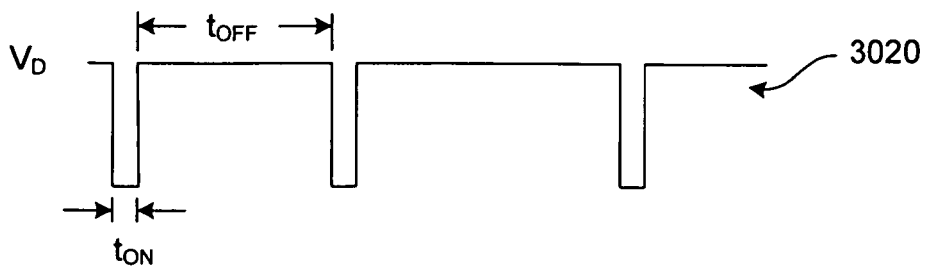


FIG. 14L

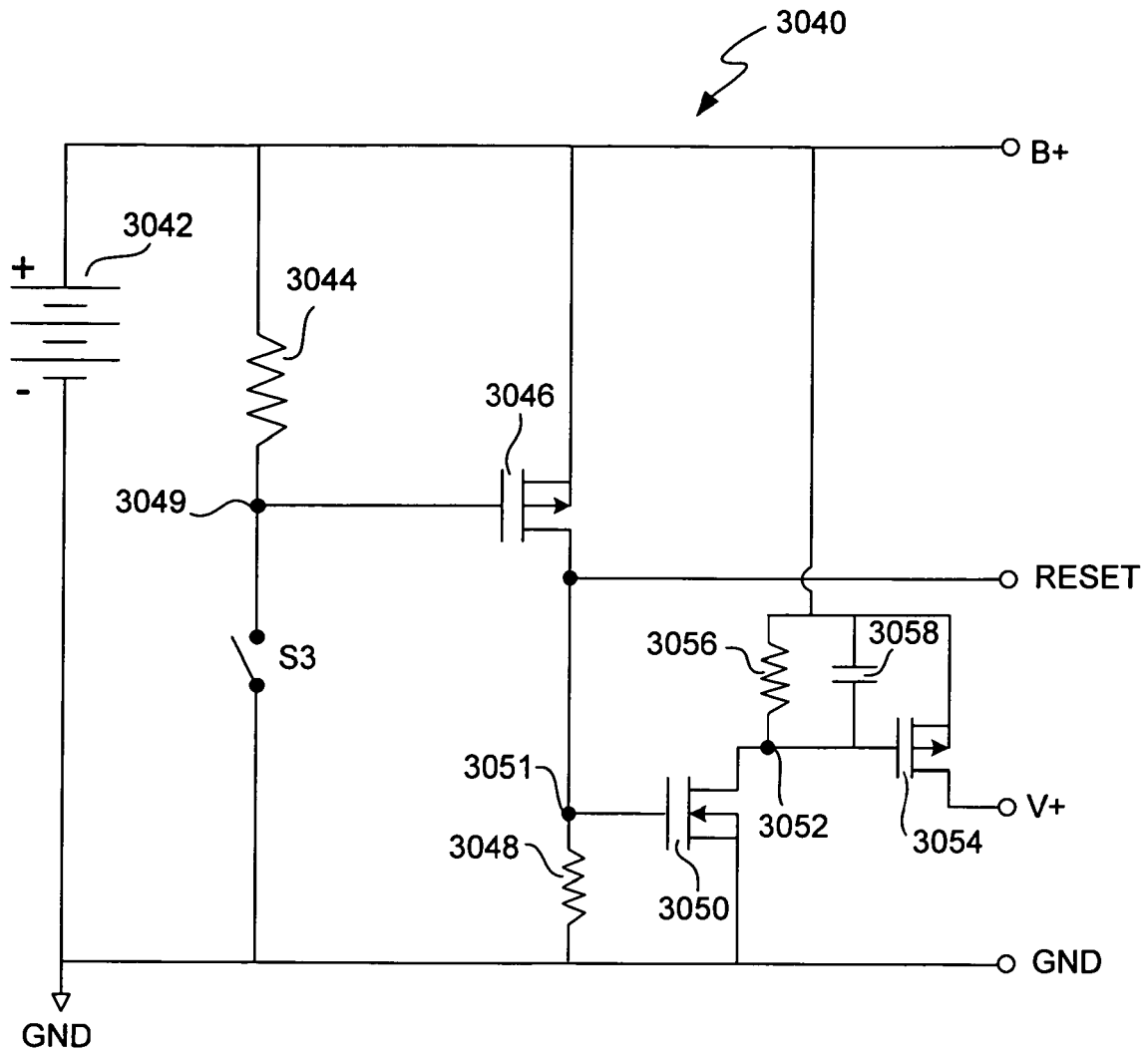


FIG. 14M

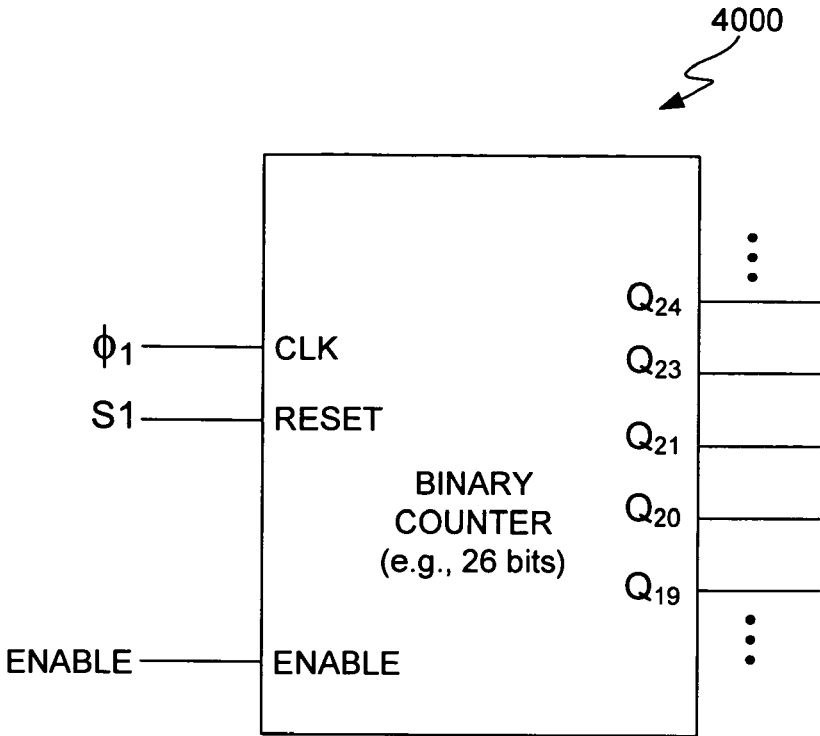


FIG. 14N

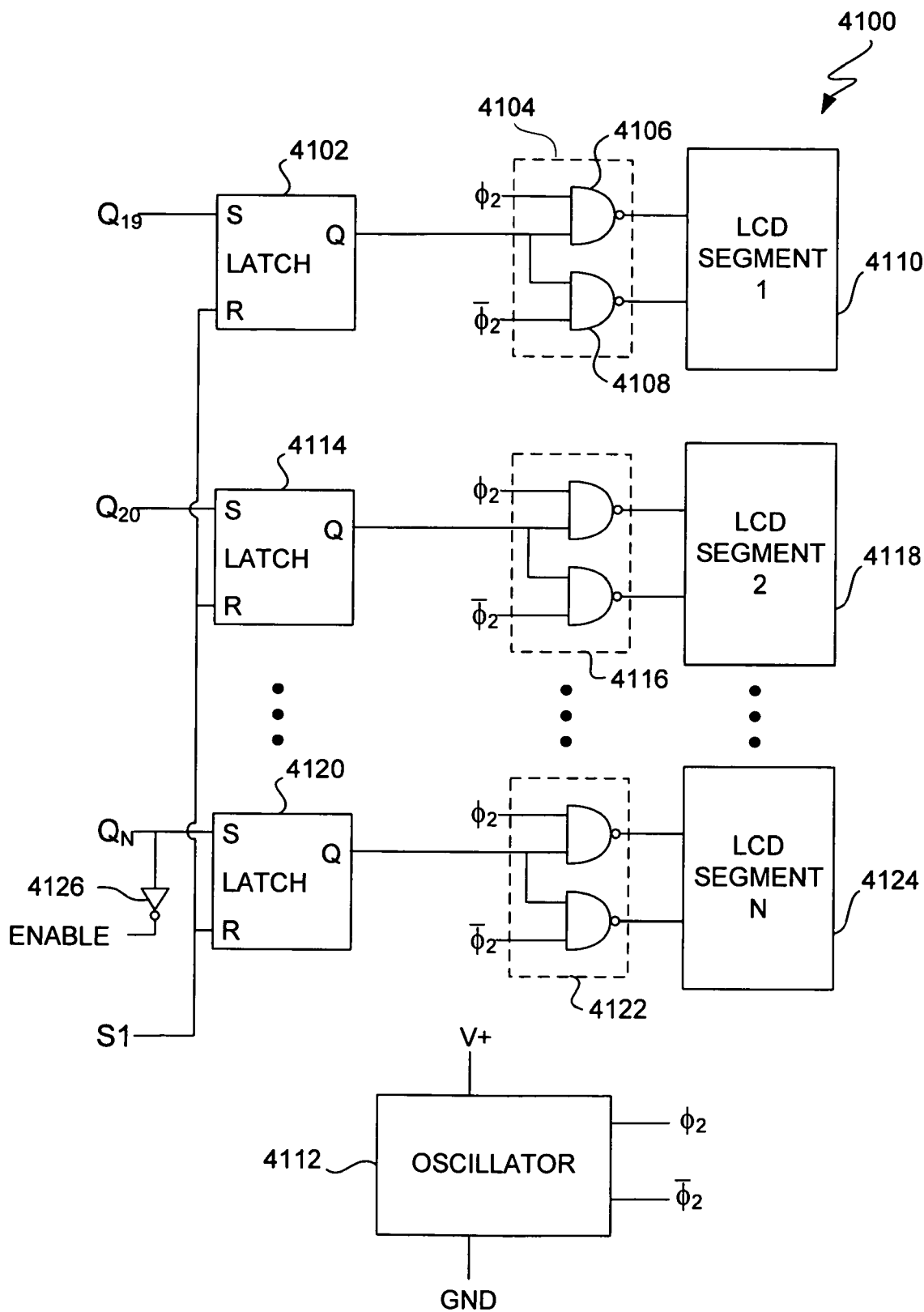


FIG. 140

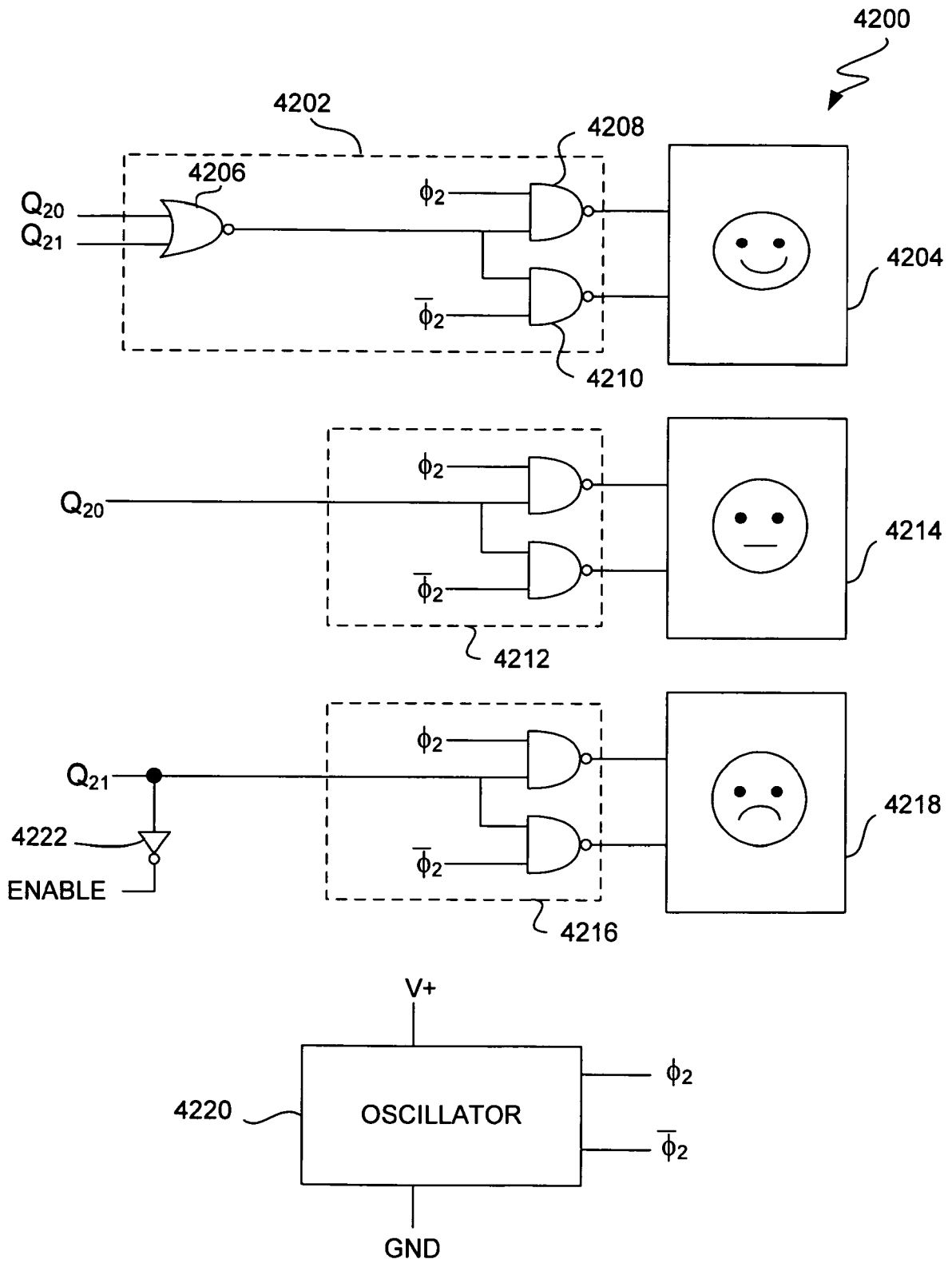


FIG. 14P

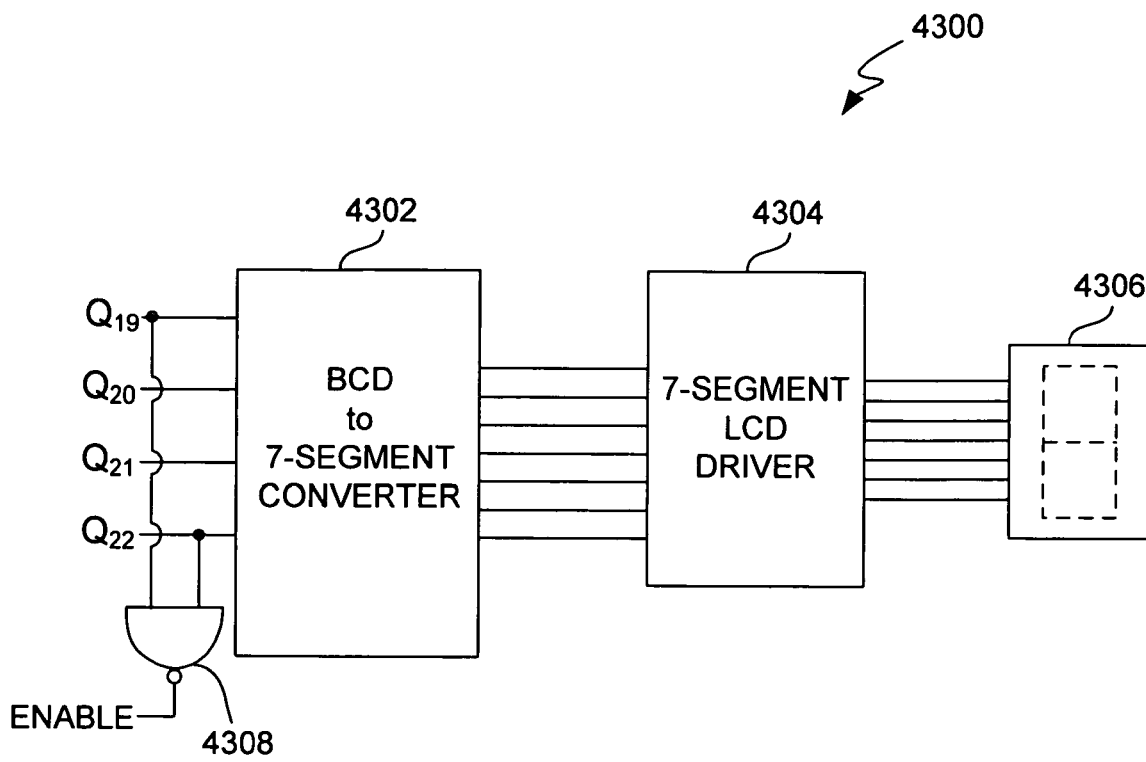


FIG. 14Q

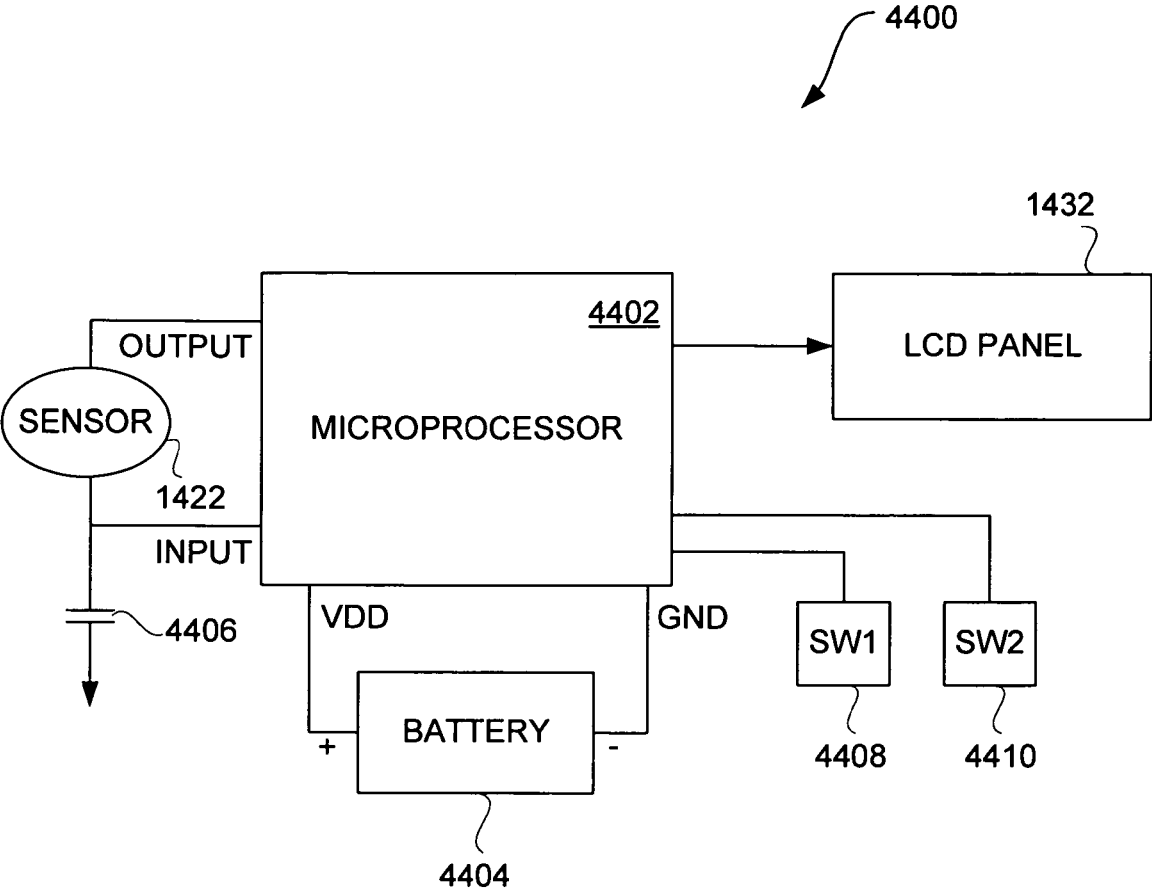


FIG. 14R

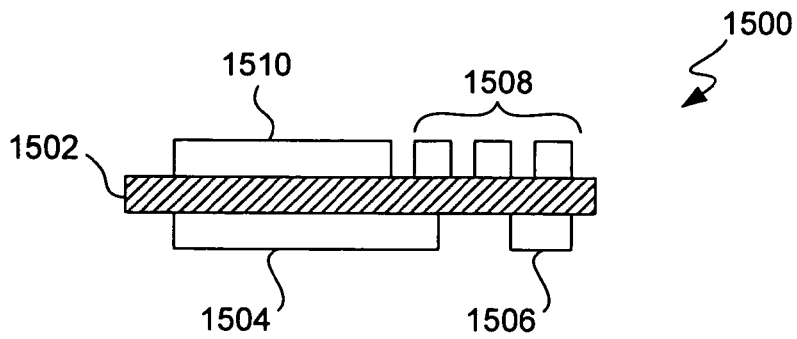


FIG. 15A

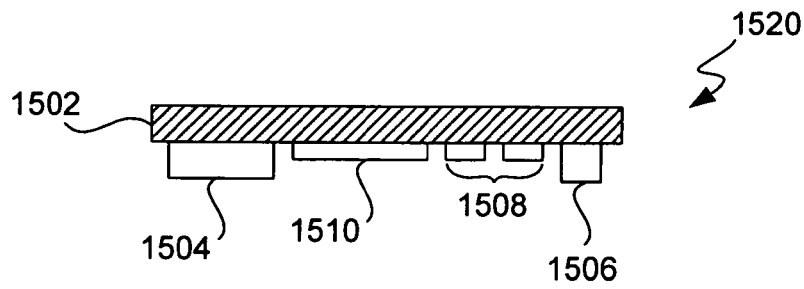


FIG. 15B

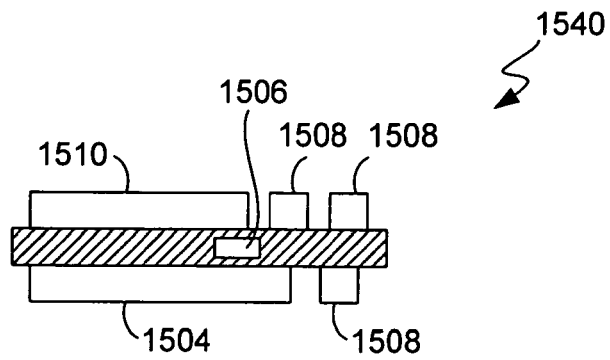


FIG. 15C

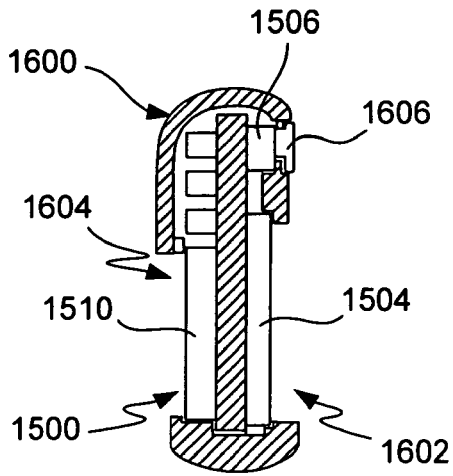


FIG. 16A

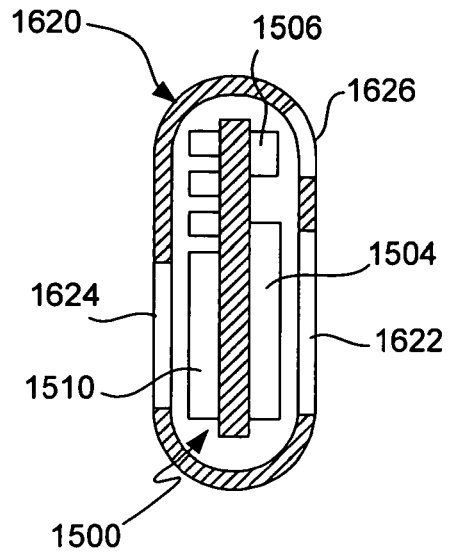


FIG. 16B

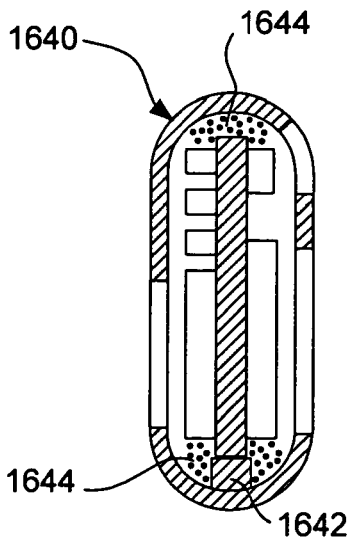


FIG. 16C

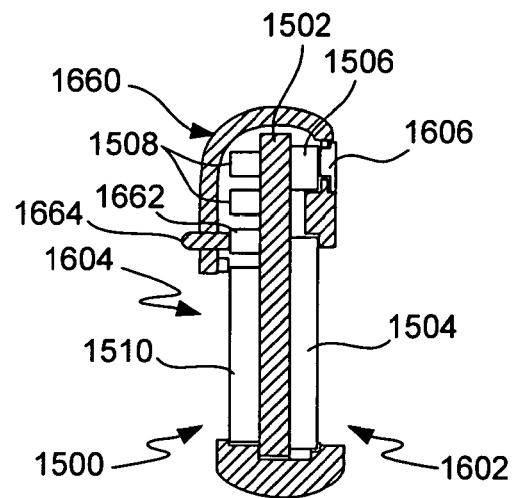


FIG. 16D

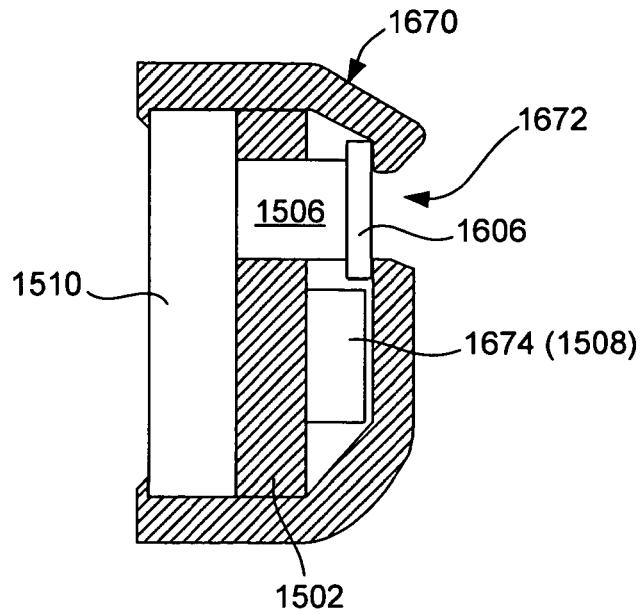


FIG. 16E

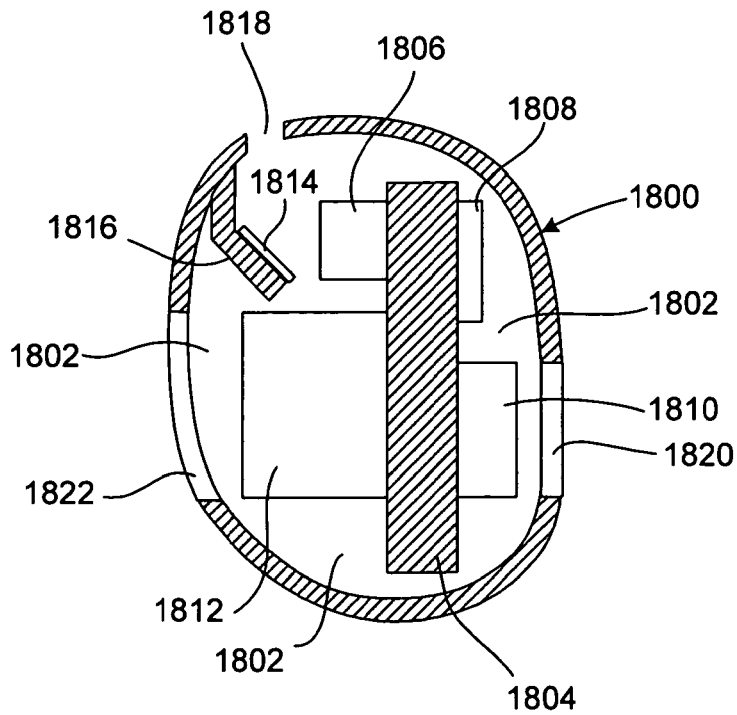


FIG. 18

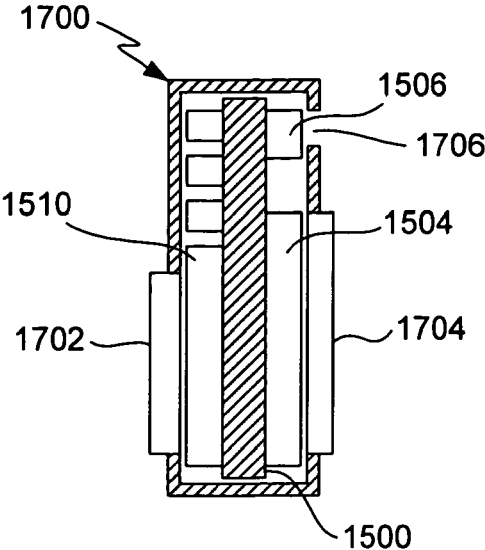


FIG. 17A

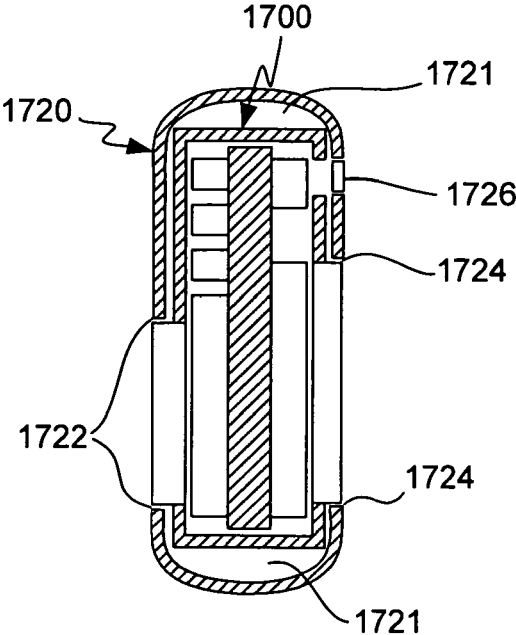


FIG. 17B

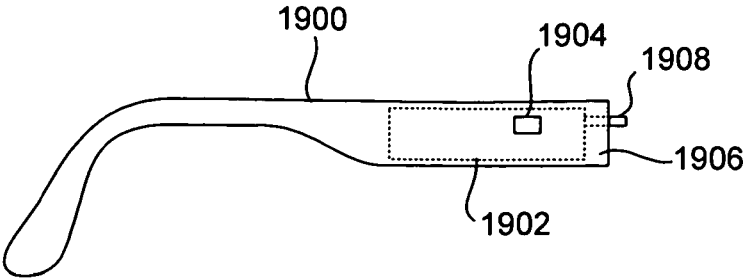


FIG. 19

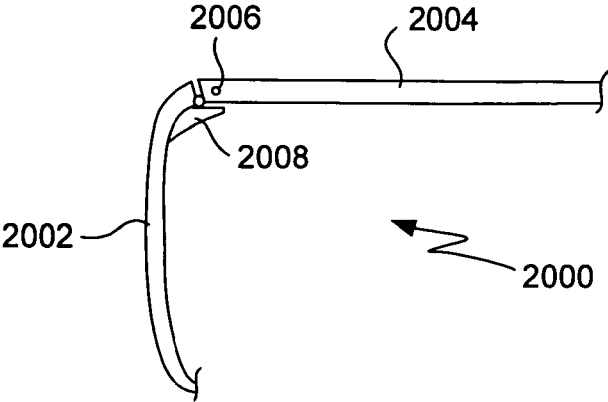


FIG. 20A

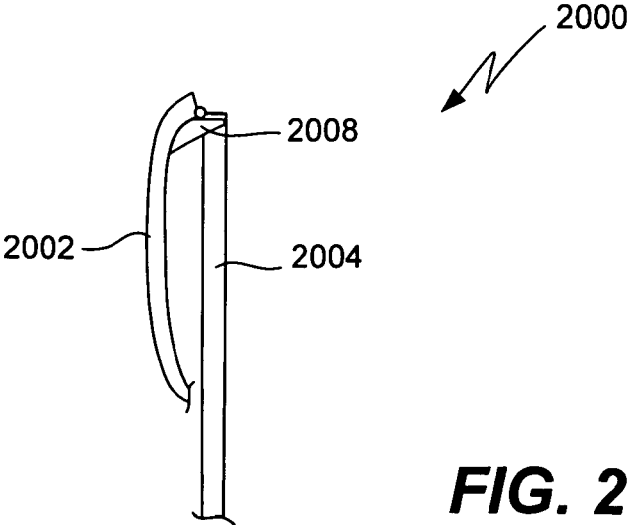


FIG. 20B

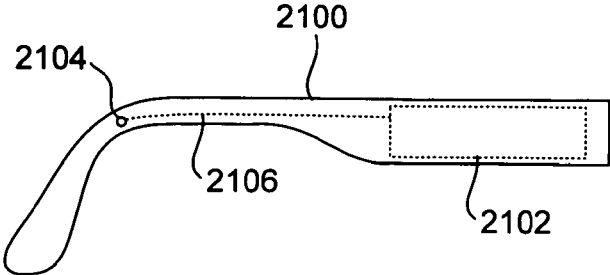


FIG. 21

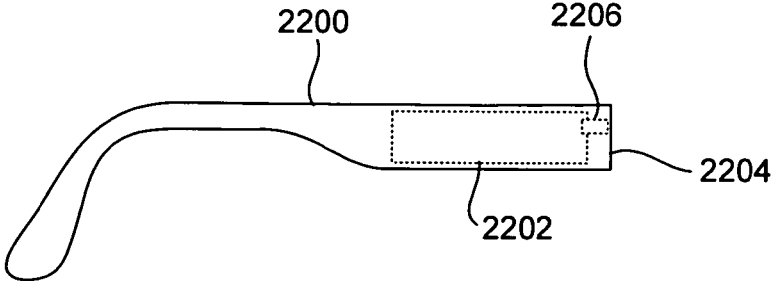


FIG. 22

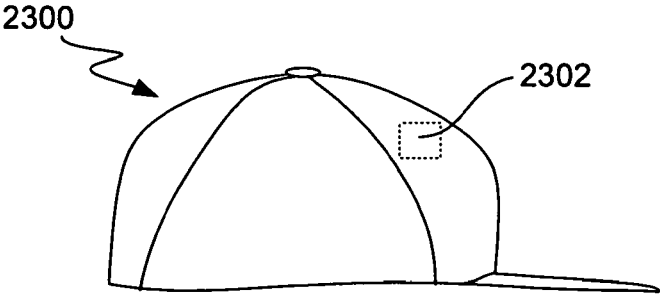


FIG. 23A

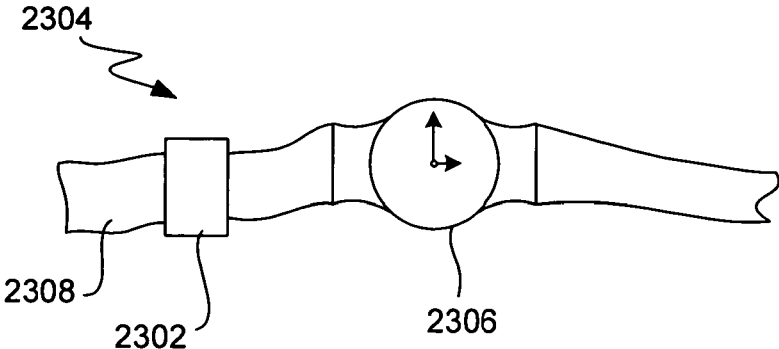


FIG. 23B

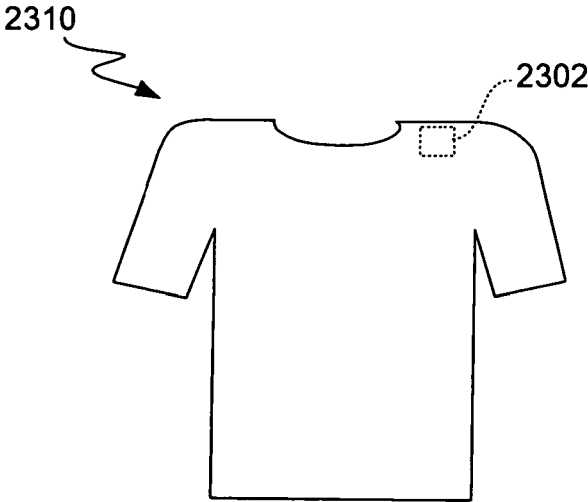
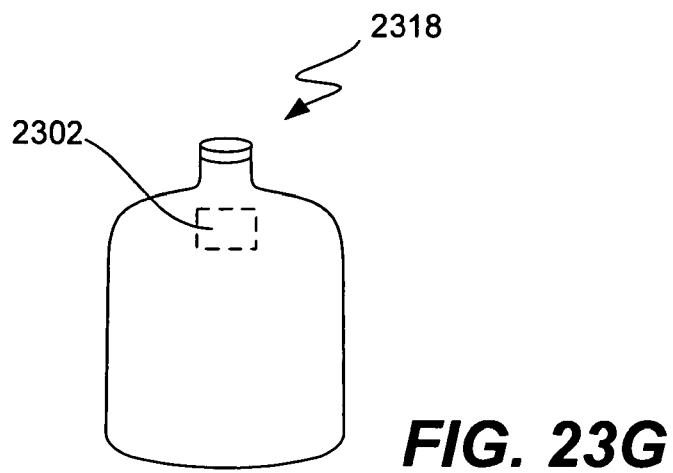
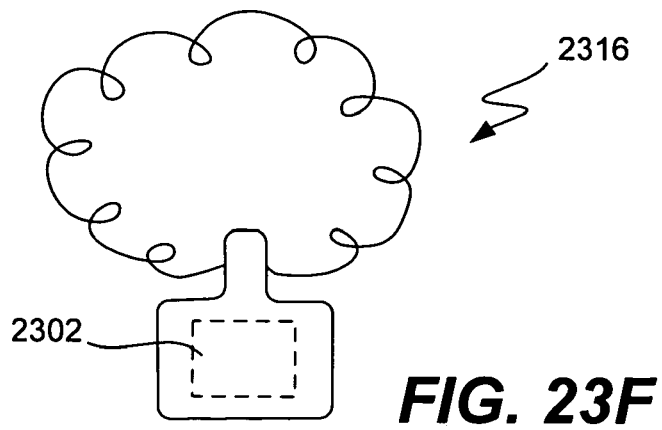
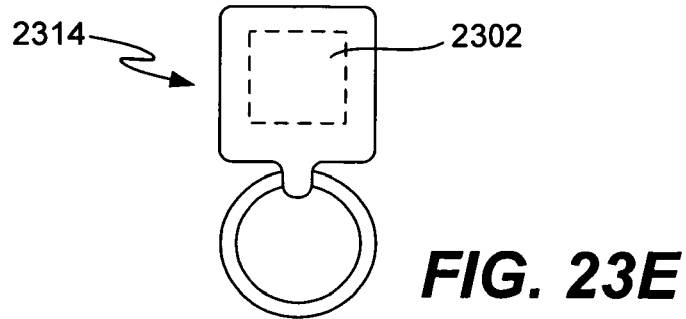
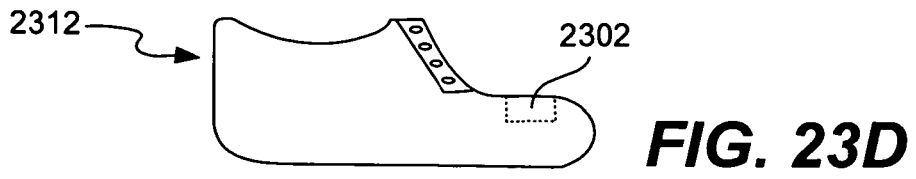


FIG. 23C



EYEWEAR WITH DETECTION SYSTEM**CROSS-REFERENCE TO RELATED APPLICATIONS**

This application is a continuation of U.S. patent application Ser. No. 16/102,859, filed Aug. 14, 2018, now U.S. Pat. No. 10,359,311, and entitled "EYEWEAR WITH RADIATION DETECTION SYSTEM," which is hereby incorporated by reference herein, and which is a continuation of U.S. patent application Ser. No. 15/343,472, filed Nov. 4, 2016, now U.S. Pat. No. 10,060,790, and entitled "EYEWEAR WITH RADIATION DETECTION SYSTEM," which is hereby incorporated by reference herein, and which is a continuation application of U.S. patent application Ser. No. 14/313,989, filed Jun. 24, 2014, now U.S. Pat. No. 9,488,520, entitled "EYEWEAR WITH RADIATION DETECTION SYSTEM," which is hereby incorporated by reference herein, and which is a continuation application of U.S. patent application Ser. No. 12/322,377, filed Feb. 2, 2009, now U.S. Pat. No. 8,770,742, entitled "EYEWEAR WITH RADIATION DETECTION SYSTEM", which is hereby incorporated herein by reference, and which is a continuation application of U.S. patent application Ser. No. 11/078,855, filed Mar. 11, 2005, now U.S. Pat. No. 7,500,746, entitled "EYEWEAR WITH RADIATION DETECTION SYSTEM", which claims priority to: (i) U.S. Provisional Patent Application No. 60/562,798, filed Apr. 15, 2004, entitled "EYEWEAR WITH ULTRAVIOLET DETECTION SYSTEM," and which is hereby incorporated herein by reference; (ii) U.S. Provisional Patent Application No. 60/583,169, filed Jun. 26, 2004, entitled "ELECTRICAL COMPONENTS FOR USE WITH EYEWEAR, AND METHODS THEREFOR," and which is hereby incorporated herein by reference; (iii) U.S. Provisional Patent Application No. 60/592,045, filed Jul. 28, 2004, entitled "EYEGLASSES WITH A CLOCK OR OTHER ELECTRICAL COMPONENT," and which is hereby incorporated herein by reference; (iv) U.S. Provisional Patent Application No. 60/605,191, filed Aug. 28, 2004, entitled "ELECTRICAL COMPONENTS FOR USE WITH EYEWEAR, AND METHODS THEREFOR," and which is hereby incorporated herein by reference; (v) U.S. Provisional Patent Application No. 60/618,107, filed Oct. 12, 2004, and entitled "TETHERED ELECTRICAL COMPONENTS FOR EYEGLASSES," which is hereby incorporated herein by reference; (vi) U.S. Provisional Patent Application No. 60/620,238, filed Oct. 18, 2004, entitled "EYEGLASSES WITH HEARING ENHANCED AND OTHER AUDIO SIGNAL-GENERATING CAPABILITIES," and which is hereby incorporated herein by reference; (vii) U.S. Provisional Patent Application No. 60/647,836, filed Jan. 31, 2005, and entitled "EYEGLASSES WITH HEART RATE MONITOR," which is hereby incorporated herein by reference; and (viii) U.S. Provisional Patent Application No. 60/647,826, filed Jan. 31, 2005, and entitled "EYEWEAR WITH ELECTRICAL COMPONENTS," which is hereby incorporated herein by reference.

In addition, this application is related to: (i) U.S. patent application Ser. No. 10/822,218, filed Apr. 12, 2004, now U.S. Pat. No. 7,792,552, and entitled "EYEGLASSES FOR WIRELESS COMMUNICATIONS," which is hereby incorporated herein by reference; (ii) U.S. patent application Ser. No. 10/964,011, filed Oct. 12, 2004, now U.S. Pat. No. 7,192,136, and entitled "TETHERED ELECTRICAL COMPONENTS FOR EYEGLASSES," which is hereby incorporated herein by reference; (iii) U.S. patent application Ser.

No. 11/006,343, filed Dec. 7, 2004, now U.S. Pat. No. 7,116,976, and entitled "ADAPTABLE COMMUNICATION TECHNIQUES FOR ELECTRONIC DEVICES," which is hereby incorporated herein by reference; and (iv) U.S. patent application Ser. No. 11/078,857, filed Mar. 11, 2005, and entitled "RADIATION MONITORING SYSTEM," which is hereby incorporated herein by reference.

BACKGROUND OF THE INVENTION

It is common for people to be exposed to various types of radiation. Often excessive exposure to radiation can be hazardous to one's health. One type of radiation that frequently raises a health concern is ultraviolet (UV) radiation. UV radiation is subdivided into three types: UV-A, UV-B, and UV-C. UV-C radiation has wavelengths in the range of 200 to 285 nanometers (nm) and is totally absorbed by the earth's atmosphere. UV-B, from about 285 to 318 nm, is known to cause skin cancer in humans. UV-A, from about 315 to 400 nm, is mostly responsible for tanning. However, UV-A has also been found to play some role in skin cancer and is the cause of eye cataracts, solar retinitis, and corneal dystrophies.

Although several UV radiation measuring and warning instruments have been developed and made commercially available, these instruments are disadvantageous for various reasons. One disadvantage is that the instruments are often a stand alone, special purpose device. As a result, a user must separately wear the special purpose device, which can be intrusive and often inconvenient. Another disadvantage is that those instruments, even if separate but attachable to other devices, hinder or impede the design for the devices. Thus, there is a need for improved approaches to measure and inform persons of UV radiation levels.

SUMMARY OF THE INVENTION

In one embodiment, the invention pertains to eyewear having radiation monitoring capability. Radiation, such as ultraviolet (UV) radiation, infrared (IR) radiation or light, can be measured by a detector. The measured radiation can then be used in providing radiation-related information to a user of the eyewear. Advantageously, the user of the eyewear is able to easily monitor their exposure to radiation.

In one embodiment, all components for monitoring radiation can be integrated with the eyewear, such as the frame (e.g., a temple of the frame) of the eyewear. Since any of the components provided can be integrated with the eyewear, the disturbance to design features of the eyewear can be reduced. As an example, the eyewear normally includes a pair of temples, and the components for monitoring radiation can be embedded within one or both of the temples. In one implementation, all components for monitoring radiation are integrated into a temple of the frame of the eyewear. As an example, these components can be formed together on a substrate as a module.

In one embodiment, the eyewear includes a detector, electrical circuitry and an output device. The eyewear can also include one or both of a battery and a solar cell to provide power to the electrical circuitry and possibly other components. Further, the eyewear can also include one or more additional sensors. Still further, the eyewear can also include communication capabilities.

The invention can be implemented in numerous ways, including as a system, device, apparatus, and method. Several embodiments of the invention are discussed below.

As eyewear, one embodiment of the invention can, for example, include at least: a frame including at least a first temple and a second temple; a radiation detector for sensing an amount of radiation; and an electronic circuit operatively connected to the radiation detector. The electronic circuit provides at least radiation information based on at least the amount of radiation sensed by the radiation detector. The radiation detector and the electronic circuit are at least partially internal to the first temple of the frame.

As eyewear, another embodiment of the invention can, for example, include at least: a frame including at least a first temple and a second temple; a radiation detector for sensing an amount of radiation; and an electronic circuit operatively connected to the radiation detector. The electronic circuit provides at least radiation information based on at least the amount of radiation sensed by the radiation detector. The radiation detector includes at least an optical filter for reducing passage of predetermined undesired radiation therethrough, and a photodetector for sensing at least a portion of radiation that passes through the optical filter. The photodetector and the electronic circuit are internal to the frame. Further, the frame has an opening adjacent the optical filter to allow at least a portion of the radiation that passes through the optical filter to impinge on the photodetector.

As a consumer product for monitoring radiation, one embodiment of the invention can, for example, include at least: a radiation detector for sensing an amount of radiation; and an electronic circuit operatively connected to the radiation detector. The electronic circuit provides at least radiation information based on at least the amount of radiation sensed by the radiation detector. The radiation detector and the electronic circuit are at least partially embedded in the consumer product. The radiation being detected by the radiation detector is principally solar radiation from the sun. The consumer product can also be wearable by a user.

Other aspects and advantages of the invention will become apparent from the following detailed description taken in conjunction with the accompanying drawings which illustrate, by way of example, the principles of the invention.

BRIEF DESCRIPTION OF THE DRAWINGS

The invention will be readily understood by the following detailed description in conjunction with the accompanying drawings, wherein like reference numerals designate like structural elements, and in which:

FIG. 1 is a perspective view of UV monitoring glasses according to one embodiment of the invention.

FIGS. 2A and 2B are diagrams of a circuit board according to one embodiment of the invention.

FIG. 3 is a block diagram of a UV monitoring system according to one embodiment of the invention.

FIG. 4A is a block diagram of a UV monitoring system according to another embodiment of the invention.

FIG. 4B is a block diagram of a UV monitoring system according to still another embodiment of the invention.

FIG. 4C is a block diagram of a UV monitoring system according to yet another embodiment of the invention.

FIG. 4D is a block diagram of a UV monitoring system according to yet another embodiment of the invention.

FIG. 5 is a chart that depicts examples of auxiliary sensors that can be utilized as the one or more auxiliary sensors shown in FIGS. 4A-4D.

FIG. 6 is a block diagram of a UV monitoring system according to one embodiment of the invention.

FIG. 7A is a schematic diagram of a UV monitoring circuit according to one embodiment of the invention.

FIG. 7B is a schematic diagram of a UV monitoring circuit according to another embodiment of the invention.

FIG. 7C is a schematic diagram of a UV monitoring circuit according to yet another embodiment of the invention.

FIG. 7D is a schematic diagram of a UV monitoring circuit according to still yet another embodiment of the invention.

FIG. 8 is a flow diagram of a UV monitoring process according to one embodiment of the invention.

FIG. 9 is a flow diagram of a UV monitoring process according to another embodiment of the invention.

FIG. 10 is a flow diagram of a UV monitoring process according to yet another embodiment of the invention.

FIG. 11 is a flow diagram of a UV monitoring process according to still yet another embodiment of the invention.

FIG. 12 is a block diagram of electronic circuitry according to one embodiment of the invention.

FIG. 13A is a schematic diagram of an electronic circuit for a UV detection system according to one embodiment of the invention.

FIG. 13B is a schematic diagram of a periodic supply voltage circuit according to one embodiment of the invention.

FIG. 14A is a block diagram of a radiation monitoring system according to one embodiment of the invention.

FIG. 14B is a block diagram of a radiation monitoring system according to another embodiment of the invention.

FIG. 14C is a schematic diagram of a radiation-to-frequency converter according to one embodiment of the invention.

FIG. 14D is a schematic diagram of a latch according to one embodiment of the invention.

FIG. 14E is a schematic diagram of a LCD driver according to one embodiment of the invention.

FIG. 14F is a schematic diagram of a power supply according to one embodiment of the invention.

FIG. 14G is a cross-sectional view of a UV detector arrangement according to one embodiment of the invention.

FIG. 14H is a cross-sectional view of a UV detector arrangement according to one embodiment of the invention.

FIG. 14I is a cross-sectional view of a UV detector arrangement according to one embodiment of the invention.

FIG. 14J is a partial block diagram of a radiation monitoring system according to one embodiment of the invention.

FIG. 14K is a schematic diagram of a radiation-to-frequency converter and a sensor according to one embodiment of the invention.

FIG. 14L is a diagram of a representative waveform of a low duty cycle signal V_D .

FIG. 14M is a schematic diagram of a power supply another according to one embodiment of the invention.

FIG. 14N is a diagram of a binary counter according to one embodiment of the invention.

FIG. 14O is a block diagram of latch-driver circuitry according to one embodiment of the invention.

FIG. 14P is a block diagram of driver circuitry according to one embodiment of the invention.

FIG. 14Q is a block diagram of driver circuitry according to another embodiment of the invention.

FIG. 14R is a block diagram of a radiation monitoring system according to another embodiment of the invention.

FIGS. 15A-15C are cross-sectional diagrams of a radiation detection systems according to different embodiments of the invention.

FIG. 16A is a cross-sectional view of an eyewear housing containing a radiation detection system according to one embodiment of the invention.

FIG. 16B is a cross-sectional view of an eyewear housing containing a radiation detection system according to another embodiment of the invention.

FIG. 16C is a cross-sectional view of an eyewear housing containing a radiation detection system according to still another embodiment of the invention.

FIG. 16D is a cross-sectional view of an eyewear housing containing a UV detection system according to yet still another embodiment of the invention.

FIG. 16E is a cross-sectional view of an eyewear housing containing a radiation monitoring system according to one embodiment of the invention.

FIG. 17A is a cross-sectional view of a module housing according to one embodiment of the invention.

FIG. 17B is a cross-sectional view of an eyewear housing according to one embodiment of the invention.

FIG. 18 is a cross-sectional view of an eyewear housing having a reflective-type filter according to one embodiment of the invention.

FIG. 19 is a side view of a temple for an eyeglass frame according to one embodiment of the invention.

FIGS. 20A and 20B are top view diagrams of a portion of an eyeglass frame according to one embodiment of the invention.

FIG. 21 is a side view of a temple for an eyeglass frame according to one embodiment of the invention.

FIG. 22 is a side view of a temple for an eyeglass frame according to another embodiment of the invention.

FIGS. 23A-23G illustrate examples of various end products having radiation monitoring capability.

DETAILED DESCRIPTION OF THE INVENTION

In one embodiment, an electronic circuit having radiation monitoring capability. Radiation, such as ultraviolet (UV) radiation, infrared (IR) radiation or light, can be measured by the electronic circuit. The measured radiation can then be used in providing radiation-related information to a user of the electronic circuit.

In one embodiment, all components for monitoring radiation can be integrated with eyewear, such as a frame (e.g., a temple of the frame) of the eyewear. Since any of the components provided can be integrated with the eyewear, the disturbance to design features of the eyewear can be reduced. As an example, the eyewear normally includes a pair of temples, and the components for monitoring radiation can be embedded within one or both of the temples. In one implementation, all components for monitoring radiation are integrated into a temple of the frame of the eyewear. As an example, these components can be formed together on a substrate as a module.

In one embodiment, the eyewear includes a detector, electrical circuitry and an output device. The eyewear can also include one or both of a battery and a solar cell to provide power to the electrical circuitry and possibly other components. Further, the eyewear can also include one or more additional sensors. Still further, the eyewear can also include communication capabilities.

In another embodiment, some or all of the components for monitoring radiation can be partially or completely tethered to the eyewear. In still another embodiment, some or all of one or more auxiliary sensors used therewith could be partially or completely tethered to the eyewear. Tethering

components allows for increased design freedom with the eyewear as well as additional area with which to house the components.

The eyewear can contain lenses, either vision corrective lenses or non-corrective lenses. Examples of eyewear using corrective lenses include, for example, prescription glasses, bi-focal glasses, reading glasses, driving glasses, and progressive glasses. Examples of eyewear, using corrective or non-corrective lenses, are sunglasses, fit-over glasses, safety glasses, sports glasses, swim masks or goggles and ski goggles. The eyewear can also include wrap-around glasses (with wrap-around lenses), fit-over glasses, or auxiliary frames (which attach to existing frames). Still further, the eyewear can include a strap for glasses, such as a strap to hold glasses on one's head. The strap can include some or all of the components for monitoring radiation, such components can be attached or at least partially embedded in the strap.

Embodiments of the invention are discussed below with reference to FIGS. 1-23G. However, those skilled in the art will readily appreciate that the detailed description given herein with respect to these figures is for explanatory purposes as the invention extends beyond these limited embodiments. Although much of the discussion below pertains to monitoring of UV radiation, it should be understood that the invention is also applicable to other types of radiation (infrared, x-rays, etc.).

FIG. 1 is a perspective view of UV monitoring glasses 100 according to one embodiment of the invention. The UV monitoring glasses 100 include a frame and a pair of lenses 102. The frame has lens holders 104 that hold the lenses 102 in position. The frame also has a bridge 106. The UV monitoring glasses 100 also include a pair of temples (or arms) 108. The temples 108 are considered part of the frame. As shown in FIG. 1, each of the temples 108 is coupled to the frame by a hinge 109. In one embodiment, the temples 108 can be removed from the frame. At least one of the temples 108 includes an internal cavity 110. Within the internal cavity 110 is a circuit board 112. The circuit board 112 can serve as a substrate. The circuit board 112 can have or couple to a solar cell 114 and UV detector 116 which are also at least primarily provided within the internal cavity 110. The circuit board 112 could include a battery (not shown) in addition to or alternative to the solar cell 114. The temple 108 having the cavity region 110 includes an opening 118 for the solar cell 114 (if provided) and an opening 120 for the UV detector 116. In addition, the circuit board 112 can further include or couple to circuitry 122 and a display device 124. For example, the display device 124 can be either a liquid-crystal display (LCD) or a Light-Emitting Diode (LED) display having one or more LED components, either of which can be controlled by the circuitry 122. The solar cell 114 can receive light via the opening 118 so as to provide power to the circuit board 112. The UV detector 116 can receive light via the opening 120. The UV detector 116 is used to provide an indication of UV radiation. The indication of UV radiation detected by the UV detector 116 can be processed by the circuitry 122 to produce an output at the display device 124.

FIGS. 2A and 2B are diagrams of the circuit board 112 according to one embodiment of the invention. In one embodiment, the circuit board includes at least one electronic component.

FIG. 2A shows a first side of the circuit board 112. Typically, the first side would be positioned adjacent a top side or outer side of the temple 108. As shown in FIG. 2A, the first side of the circuit board 112 has the solar cell 114

and the UV detector **116** attached thereto. The first side of the circuit board **112** should be exposed at least partially to external light (e.g., sunlight). Hence, the openings **118** and/or **120** of the temple **108** shown in FIG. 1 can provide openings so that light can impinge upon the solar cell **114** and the UV detector **116**.

FIG. 2B shows a second side of the circuit board **112**. The second side of the circuit board **112** can be a bottom side or inner side of the temple **108**. As shown in FIG. 2B, the second side of the circuit board **112** can have the circuitry **122** and the display device **124** attached thereto. As previously noted, the display device **124** can be a LED or LCD display. As depicted in FIG. 2B, the display device **124** can be a multi-character display. Alternatively, the display device **124** can be a multi-color display, such as provided by a color LCD or a plurality of different color LEDs (e.g., a red LED, yellow LED and green LED). The display device **124** can also be a multi-symbol display. Although not shown in FIG. 1, the UV monitoring glasses **100** can further include an opening or transparent portion at the temple **108** proximate to the display device **124** so that an output from the display device **124** can be visible to a user of the UV monitoring glasses **100**.

FIG. 3 is a block diagram of a UV monitoring system **300** according to one embodiment of the invention. The UV monitoring system **300** can be embedded within (i.e., internal to) the housing (i.e., frame) of a pair of glasses. Glasses refer to eyewear.

The UV monitoring system **300** includes electrical circuitry **302**. The electrical circuitry **302** can be one or more electrical components, such as integrated circuits, analog components, and/or digital components. One or more solar cells **304** provide power to the electrical circuitry **302**. In other words, when light impinges upon the one or more solar cells **304**, power is produced and supplied to the electrical circuitry **302**. The electrical circuitry **302** receives a UV level indication from a UV detector **306**. In one embodiment, the UV detector **306** includes a photodetector **305** and an optical filter **308**. The optical filter **308** can be integral with or positioned proximate to the photodetector **305** so that the optical filter **308** passes radiation associated with the ultraviolet wavelength range, and such radiation is supplied to the photodetector **305**. As a result, the UV level indication produced by the UV detector **306** is an indication of the UV radiation impinging upon glasses or the user thereof. The electrical circuitry **302** receives the UV level indication from the UV detector **306** and determines whether an output should be signaled by an output device **310**. The output device **310** can take a variety of different forms. For example, the output device **310** can be a display device, such as a LED or LCD display. A display device can produce a visual output. The output device **310** can also be a speaker or a vibration device. The speaker can produce an audio output. For example, the audio output can be a buzzing sound, a beep or a synthesized voice message.

FIG. 4A is a block diagram of a UV monitoring system **400** according to another embodiment of the invention. The UV monitoring system **400** includes the electrical circuitry **302**, the one or more solar cells **304**, the UV detector **306**, and the output device **310** shown in FIG. 3. In addition, the UV monitoring system **400** further includes or makes use of one or more auxiliary sensors **402**. The one or more auxiliary sensors **402** can provide additional sensor information to the electrical circuitry **302**. This additional sensor information can affect the output being provided at the output device **310**. For example, the additional sensor information could be used to provide additional output data or could be used to

modify the output data associated with the UV level indication provided by the UV detector **306**.

FIG. 4B is a block diagram of a UV monitoring system **450** according to still another embodiment of the invention. The UV monitoring system **450** is generally similar to the UV monitoring system **400** shown in FIG. 4, but further includes or makes use of a “being worn” detector **452**. The UV monitoring system **450** can be embedded within (i.e., internal to) the housing (i.e., frame) of a pair of glasses. The “being worn” detector **452** would indicate whether the glasses are being worn by its user. For example, the “being worn” detector **452** can be performed using a thermal sensor, a motion detector, a stress sensor or a switch. Although the “being worn” detector **452** is shown separate from the auxiliary sensors **402**, it should be understood that the “being worn” detector **452** can be considered one type of auxiliary sensor.

FIG. 4C is a block diagram of a UV monitoring system **460** according to yet another embodiment of the invention. The UV monitoring system **460** is generally similar to the UV monitoring system **400** shown in FIG. 4A, but further includes a photodetector **462**. Also, in this embodiment, the optical filter **308'** blocks UV light and passes other light through to the photodetector **305'**. As an example, the optical filter **308'** can be a thin sheet or coating of polycarbonate. In this embodiment, the photodetector **305'** provides an indication of non-UV light, and the photodetector **462** provides an indication of total light. The electrical circuitry **302'** receives the indication of non-UV light and the indication of total light. By subtracting the indication of non-UV light from the indication of total light, the electrical circuitry **302'** determines an indication of UV light. In one embodiment, the photodetectors **305'** and **462** can be Silicon (Si) photodetectors. The electrical circuitry **302'** determines whether an output should be signaled by an output device **310** based on the UV level indication. As previously noted, the output device **310** can take a variety of different forms.

FIG. 4D is a block diagram of a UV monitoring system **470** according to still yet another embodiment of the invention. The UV monitoring system **470** includes the electrical circuitry **302**, the one or more solar cells **304**, the UV detector **306** and the output device **310** shown in FIG. 3. In this embodiment, the UV detector **306** measures the UV level indication directly, without the need for an additional optical filter. For example, the UV detector **306** can be a Gallium Nitride (GaN) photodetector since such has a sensitivity to UV radiation. As another example, the UV detector **306** can be a Silicon Carbide (SiC) photodetector since such also has a sensitivity to UV radiation. Silicon Carbide (SiC) detectors may also be suitable for use to detect other types of radiation besides UV. The electrical circuitry **302** receives the UV level indication from the UV detector **306** and determines whether an output should be signaled by the output device **310**. As noted above, the output device **310** can take a variety of different forms.

The one or more auxiliary sensors **402** utilized in the UV monitoring system **400** shown in FIGS. 4A-4D can vary depending upon application. FIG. 5 is a chart **500** that depicts examples of auxiliary sensors that can be utilized as the one or more auxiliary sensors **402** shown in FIGS. 4A and 4D.

The chart **500** indicates that one type of auxiliary sensor is a “being worn” sensor. The “being worn” sensor would indicate whether the glasses are being worn by its user. The “being worn” sensor can be performed using, for example, a thermal sensor, a motion detector, a stress sensor or a switch.

In one embodiment, a motion detector is used as a “being worn” sensor. A threshold can be set, such that if the amount of motion detected exceeds the threshold, the eyewear is assumed to be worn. The motion detector can, for example, be achieved by a mechanical means or an accelerometer.

In another embodiment, the “being worn” sensor includes one or more thermal sensors. In the case where two sensors are used, one sensor can be at approximately the middle of a temple, such as in a region that touches the head of the user wearing the glasses, and the other sensor can be positioned at the end of the same temple close to the hinge. If the temperature differential between the two sensors is beyond a certain preset value, the eyewear would be assumed to be worn.

In yet another embodiment, the “being worn” sensor includes a stress sensor at the hinge of the temple. The assumption is that when the eyewear is worn, the hinge is typically slightly stretched because typically the width of the head of the user is slightly wider than the width between the temples when the two temples are in the extended positions. If the value of the stress sensor is beyond a certain preset value, the glasses would be assumed to be worn.

In still yet another embodiment, the “being worn” sensor can be implemented as a switch. For example, the switch can utilize optical, magnetic or mechanical means. In one embodiment, the switch can be positioned at the temple of the eyewear, such as a forward end of the temple proximate to a corresponding lens holder. Different embodiments of such sensors is also described in U.S. Provisional Patent Application No. 60/583,169, filed Jun. 26, 2004, entitled “ELECTRICAL COMPONENTS FOR USE WITH EYEWEAR, AND METHODS THEREFOR,” which has been incorporated herein by reference, see, e.g., section entitled “EYEGLASSES WITH USER INPUT CAPABILITY.”

Another type of auxiliary sensor is an environmental sensor. The environmental sensor can sense environmental conditions, such as one or more of temperature (e.g., ambient temperature), pressure, humidity and toxins (e.g., chemicals, radiation, etc.).

Still another type of auxiliary sensor is a physical sensor. The physical sensor can sense physical conditions of the user of the glasses. Examples of physical sensors include sensing one or more of distance traveled, location, speed, calories consumed, temperature, alertness, and vital signs (e.g., heart rate, blood pressure, etc.) associated with the user of the glasses. The distance traveled could represent the horizontal distance traveled or the vertical distance (i.e. elevation) traveled. As one example, a pedometer can provide an estimate of distance traveled. The speed can be acquired or determined, such as the rate of movement along the horizontal distance traveled and/or the vertical distance. As another example, calories consumed can be determined (e.g., estimated) based on various physical and/or environmental conditions that can be measured or determined. Still other physical sensors can sense emotions of the user. For example, the physical sensor could sense whether the user is calm, excited, happy, sad, angry, etc. The physical sensor can also more generally sense user activity level. As an example, the user activity level can be used to provide a lifestyle indication. For example, a lifestyle indication might show that the user was active today or, alternatively, lazy today. Such a lifestyle indication can be displayed as a text or graphic symbol to let the user or others aware of the activity level.

In one embodiment, one particular type of physical sensor is a heart-beat sensor. The heart-beat sensor measures the heart beat of the wearer of the eyewear. One implementation

for the heart-beat sensor utilizes an infrared emitter and an infrared detector as a component. The infrared emitter can be a LED and the infrared detector can be a photodiode with an infrared filter. The component can be located at a temple of the eyewear, with both the emitter and the detector both facing the user when the eyewear is worn. In operation, the infrared emitter shines infrared radiation towards the user, and the detector captures the infrared signals reflected back by the skin of the user. The magnitude of the reflected signals depends on the amount of blood flowing below the skin, which, in turn, depends on the heart beat. The rate of emission by the emitter and reception by the detector can be in a frequency range much higher than the heart beat, such as three thousands cycles per second. And the signals from the detector can be low-pass filtered before they are measured to identify the heart beat of the user. For example, the low-pass filter can be centered at 1 Hz.

It should be understood that the sensors might rely on more than one measured criteria. The one or more measured criteria might be used to determine the sensor output. The determination of the sensor output can involve estimation or prediction.

The auxiliary sensors can be provided in a redundant or fault-tolerant manner. For example, sensors can be provided in pairs. When one sensor of a pair malfunctions, the other one can replace it. In another embodiment, any of the auxiliary sensor information can be processed in a differential manner to examine changes to the auxiliary sensor information. The auxiliary sensors can be powered by a battery, solar energy, or kinetic energy. For reduced power consumption, the auxiliary sensors can remain in a low-power state unless data is being acquired by the auxiliary sensors. In yet another embodiment, two or more of the auxiliary sensors can communicate with one another (wired or wirelessly) to exchange data or control information.

In general, the auxiliary sensors can be fully or partially embedded in the eyewear or a base tethered to the eyewear. Alternatively, one or more of the auxiliary sensors can be separate from the eyewear, or any base tethered thereto, and wirelessly communicate with the eyewear or base.

FIG. 6 is a block diagram of a UV monitoring system 600 according to one embodiment of the invention. The UV monitoring system 600 is generally similar to the UV monitoring systems illustrated in FIGS. 3-4D. However, in the UV monitoring system 600, a battery 602 provides power to the electrical circuitry 302. In other words, in this embodiment, the one or more solar cells 304 are optional. The UV monitoring system 600 can operate without the need for any light to impinge upon the one or more solar cells 304. If the UV monitoring system 600 does include the one or more solar cells 304, the power produced by the one or more solar cells 304 can be coupled to the battery 602 so as to recharge the battery. The battery 602 also allows the electrical circuitry 302 to maintain data even while no light is present (e.g., if a volatile memory is used to store data). The ability to maintain data (such as in a memory device) can be advantageous. For example, the UV monitoring system 600 may desire to output information over longer durations of time, or may desire to process data in a differential manner. The UV monitoring system 600 can also further include one or more auxiliary sensors.

FIG. 7A is a schematic diagram of a UV monitoring circuit 700 according to one embodiment of the invention. The UV monitoring circuit 700 includes a phototransistor 702. Although the phototransistor 702 may itself serve as a UV detector, in some implementations, an optical filter (not shown) would limit the radiation that impinges on the

phototransistor **702**, in which case the phototransistor **702** together with the optical filter serves as the UV detector. A collector terminal of the phototransistor **702** is coupled to a power source **Vcc**. The power source **Vcc** can be provided by a battery or solar cell(s). An emitter terminal of the phototransistor **702** is coupled to a first end of a resistor **704**, a first end of the capacitor **706** and a gate terminal of a transistor **708**. As an example, the transistor **708** can be an n-channel metal-oxide-semiconductor, enhancement-mode, field-effect transistor (MOSFET). A second end of the resistor **704**, a second end of the capacitor **706** and a source terminal of the transistor **708** are coupled to ground. An output device **710** couples between the power source **Vcc** and a drain terminal of the transistor **708**. As sufficient radiation, such as UV radiation, impinges on the phototransistor **702**, the phototransistor **702** conducts so that the emitter terminal of the phototransistor **702** outputs the voltage **V1** by coupling to the power source **Vcc** through the phototransistor **702**. The voltage **V1** is dependent on the amount of UV radiation that impinges on the phototransistor **702**. The capacitor **706** then charges up in accordance with a time constant determined by the capacitance of the capacitor **706** and the resistance of the resistor **704**. When the voltage **V1** exceeds a turn-on voltage for the transistor **708**, the transistor **708** conducts and the output device **710** is activated. For example, the output device **710** can indicate that the UV monitoring circuit has detected exposure to a large amount of UV radiation. The amount of UV radiation exposure being detected can vary depending on the capacitance of the capacitor **706** and the resistance of the resistor **704**.

FIG. 7B is a schematic diagram of a UV monitoring circuit **750** according to another embodiment of the invention. The UV monitoring circuit **750** includes a phototransistor **752**. Although the phototransistor **752** may itself serve as a UV detector, in some implementations, an optical filter (not shown) would limit the radiation that impinges on the phototransistor **752** in which case the phototransistor **752** together with the optical filter serves as the UV detector. A collector terminal of the phototransistor **752** is coupled to a power source **Vcc**. The power source **Vcc** can be a battery or solar cell(s). An emitter terminal of the phototransistor **752** is coupled to a first end of a resistor **754** as well as to an input to an analog-to-digital (A/D) converter **756**. The second end of the resistor **754** couples to ground. The A/D converter **756** converts the voltage level at the emitter terminal of the phototransistor **752** to a digital voltage value having **n** bits. The digital voltage value represents the UV radiation impinging on the phototransistor **752**. The digital voltage value is supplied to a controller **758**. The controller **758** can, for example, be a microcontroller. In one embodiment, the microcontroller is a microprocessor. An output device **760** couples between the power source **Vcc** and ground. The output device **760** also couples to an output terminal of the controller **758**. As sufficient radiation, such as UV radiation, impinges on the phototransistor **752**, the phototransistor **752** conducts so that a voltage is supplied to the A/D converter **756** which produces the corresponding digital voltage value. The digital voltage value is dependent on the amount of UV radiation that impinges on the phototransistor **752**. The controller **758** can then determine whether to activate the output device **760**. For example, controller **758** can activate the output device **760** to indicate that the UV monitoring circuit **750** has detected (i) current exposure to a substantial (e.g., large) amount of UV radiation (e.g., amount of UV radiation greater than a threshold amount), and/or (ii) exposure to a substantial (e.g., large)

amount of UV radiation accumulated over a time period (e.g., accumulated amount of UV radiation greater than a threshold amount). Although not shown, the controller **758** can also receive sensor information from one or more other auxiliary sensors and signal other types of outputs via the output device **760**.

FIG. 7C is a schematic diagram of a UV monitoring circuit **770** according to yet another embodiment of the invention. The UV monitoring circuit **770** includes a phototransistor **772**. Although the phototransistor **772** may itself serve as a UV detector, in some implementations, an optical filter (not shown) would limit the radiation that impinges on the phototransistor **772** in which case the phototransistor **772** together with the optical filter serves as the UV detector. A collector terminal of the phototransistor **772** is coupled to a power source **Vcc**. An emitter terminal of the phototransistor **772** is coupled to a first end of a resistor **774**, a first end of a capacitor **776** and a gate terminal of a transistor **778**. An output device **780** couples between the power source **Vcc** and a drain terminal of the transistor **778**. A second end of the resistor **774**, a second end of a capacitor **776** and a source terminal of the transistor **778** are coupled to a drain terminal of a transistor **784**. As an example, the transistors **778** and **784** can be n-channel metal-oxide-semiconductor, enhancement-mode, field-effect transistors (MOSFETs). As one example, MOSFETs can be 2N7008 MOSFETs. The source terminal of the transistor **784** is coupled to ground. The gate terminal of the transistor **784** is coupled to a first end of a resistor **786** and a first end of a capacitor **788**. A second end of the resistor **786** and the second end of the capacitor **788** are coupled to ground. The gate terminal of the transistor **784** is also coupled to the power source **Vcc** through a being-worn switch **782**. A battery **790** can supply power to the UV monitoring circuit **770**. As one example, the battery **790** can be a three (3) Volt lithium battery. The size and configuration of the battery **790** can also vary. In one example, the battery **790** can be a coin battery. In another example, the battery **790** can be a triple-A (AAA) battery. As sufficient radiation, such as UV radiation, impinges on the phototransistor **772**, the phototransistor **772** conducts so that the emitter terminal of the phototransistor **772** outputs the voltage **V1** by coupling to the power source **Vcc** through the phototransistor **772**. The capacitor **776** then charges up in accordance with a time constant determined by the capacitance of the capacitor **776** and the resistance of the resistor **774**. When the voltage **V1** exceeds a turn-on voltage for the transistor **778**, the transistor **778** conducts. However, in this embodiment, the transistor **784** also must conduct in order for the output device **770** to be activated. The transistor **784** conducts when the “being worn” switch **782** is closed. The “being worn” switch **782** indicates whether the eyewear (including the UV monitoring circuit **770**) is being worn by its user. The sensitivity of the “being worn” switch **782** can be controlled by the capacitance of the capacitor **788** and the resistance of the resistor **786**. For example, the output device **780** can indicate that the UV monitoring circuit **770** has detected exposure to a large amount of UV radiation while the eyewear is being worn. The amount of UV radiation exposure being detected can vary depending on the capacitance of the capacitor **776** and the resistance of the resistor **774**.

The UV monitoring circuits according to the invention can also include switches, such as a “being-worn” switch, skin type, reset switch and/or an on/off switch. A “being-worn” switch was, for example, discussed above with reference to FIG. 7C. The on/off switch can also provide a reset

capability. A reset switch and an/on switch are further discussed below with reference to FIG. 7D.

FIG. 7D is a schematic diagram of a UV monitoring circuit 770' according to still yet another embodiment of the invention. The UV monitoring circuit 770' is generally similar to the UV monitoring circuit 770 of FIG. 7C, except that a reset switch 792, an on switch 794 and an off switch 796 are provided. Additionally, the resistor 786 shown in FIG. 7C is removed from the UV monitoring circuit 770'. The reset switch 792 can be a push button, such that when pressed, causes any charge on the capacitor 776 to be discharged. As a result, assuming the transistor 778 is conducting (i.e., on) when the reset switch is pushed, the transistor 778 stops conducting (i.e., off) because the voltage V1 is effectively zeroed and thus does not exceed the turn-on voltage for the transistor 778. Consequently, the output device 780 stops providing any output (e.g., display device cleared or off, audio stopped, etc.). Once the reset switch 792 is released, the capacitor 776 can again begin to accumulate charge representing UV radiation. The on switch 794 and the off switch 796 can also be implemented as push button switches. When the on switch 794 is pressed, the capacitor 788 is charged so that the transistor 784 conducts (i.e., turns-on) and then remains on until the off switch 796 is pressed. In this embodiment, the on switch 794 and the off switch 796 should not both be pressed at the same time. Although the reset switch 792, the on switch 794 and the off switch 796 are implemented as push button switches in FIG. 7D, other types of switches can be used.

FIG. 8 is a flow diagram of a UV monitoring process 800 according to one embodiment of the invention. The UV monitoring process 800 is, for example, performed by a UV monitoring system embedded within and/or tethered to a pair of glasses. The UV monitoring system can, for example, represent any of the UV monitoring systems 300, 400, 450, 460, 470, 600, 700, 750, 770 or 770' discussed above with reference to FIGS. 3, 4A-4D, 6 and 7A-7D.

The UV monitoring process 800 begins with a decision 802 that determines whether the glasses are being worn. As noted above, the determination of whether the glasses are being worn can be done in a variety of ways. In any case, when the decision 802 determines that the glasses are not being worn, then the UV monitoring process 800 waits until the glasses are being worn. In other words, when the glasses are not being worn, the UV monitoring process 800 can stop, block (pause or wait) or deactivate until it is determined that the glasses are being worn.

On the other hand, when the decision 802 determines that the glasses are being worn, a UV radiation level is acquired 804. For example, the UV radiation level can be acquired 804 from electronic circuitry which can include a UV detector. Next, UV information is determined 806 based on the UV radiation level (radiation data). For example, the UV information can pertain to normalized or calibrated radiation data, accumulated radiation data, or processed radiation data. Hence, although the UV radiation level (radiation data) could be output to the user, by outputting the UV information to the user of the glasses, more useful information (e.g., easier to comprehend) can be presented to the user. Other examples of UV information are referenced elsewhere, such as the UV radiation information discussed below in FIG. 9.

Next, the UV information can be output 808 to the output device. The UV information need not always be output 808 to the output device. For example, the UV information could be output 808 to the output device depending upon whether it signals a particular condition to the user. As another example, the UV information could be output to the output

device on request by the user. As still another example, the UV information could be output to the output device based on a sensed condition or event. Next, a decision 810 can determine whether the UV monitoring process 800 should continue. When the decision 810 determines that the UV monitoring process 800 should not continue, then the UV monitoring process 800 waits until it is time to be continued. This allows the UV monitoring process 800 to be performed periodically or as needed, which can lead to reduced power consumption and/or more meaningful output information to the user. While the UV monitoring process 800 is waiting, some or all of the UV monitoring system can be in a reduced power consumption state. Nevertheless, when the decision 810 determines that the UV monitoring process 800 should continue, the UV monitoring process 800 returns to repeat the decision 802 and subsequent operations.

FIG. 9 is a flow diagram of a UV monitoring process 900 according to another embodiment of the invention. The UV monitoring process 900 is, for example, performed by a UV monitoring system embedded within and/or tethered to a pair of glasses. The UV monitoring system can, for example, represent any of the UV monitoring systems 300, 400, 450, 460, 470, 600, 700, 750, 770 or 770' discussed above with reference to FIGS. 3, 4A-4D, 6 and 7A-7D. However, the UV monitoring process 900 is particularly suitable for UV monitoring systems having "being worn" detection capability, such as the UV monitoring systems 450 and 770.

The UV monitoring process 900 begins with a decision 902 that determines whether adequate solar energy is present. In this embodiment, solar cells provide adequate solar energy for the UV monitoring process 900 to be performed. In other words, the UV monitoring system (and thus the glasses) operate in the presence of light. When the decision 902 determines that adequate solar energy (e.g., sunlight or artificial light) is not present, then the UV monitoring process 900 awaits adequate solar energy. In one implementation, the UV monitoring system performing the UV monitoring process 900 can automatically turn-off or deactivate when inadequate solar energy is present. Such operation facilitates passive UV monitoring with minimal user participation.

On the other hand, when the decision 902 determines that adequate solar energy is present, a decision 904 determines whether the glasses are being worn. When the decision 904 determines that the glasses are not being worn, then the UV monitoring process 900 returns to repeat the decision 902 and subsequent operations. In effect, the UV monitoring process 900 is not performed when the decision 904 determines that the glasses are not being worn by the user. As noted above, the determination of whether the glasses are being worn can be done in a variety of ways.

Optionally, a delay can be inserted when the decision 904 determines that the glasses are not being worn so as to save power consumption. Such a delay would allow the UV monitoring process 900 to stop, halt, inactivate or otherwise wait for the period of the delay prior to returning to the decision 902 and subsequent operations. While the UV monitoring process 900 is stopped, halted, inactivated or otherwise waiting, some or all of the UV monitoring system can be in a reduced power consumption state.

Alternatively, when the decision 904 determines that the glasses are being worn, a decision 906 can determine whether an interval timer has expired. The interval timer can determine how frequently the UV radiation level is checked and/or how frequently radiation information is output to a display. The interval timer can also thus lead to reduced power consumption (i.e., low-power mode for the electronic

circuitry). When the decision **906** determines that the interval timer has not expired, the UV monitoring process **900** waits for the interval timer to expire. During this period of waiting, the UV monitoring process **900** can place some or all of the UV monitoring system in a low-power mode. Alternatively, during this period of waiting, the UV monitoring process **900** can perform processing of other auxiliary sensors that can produce other sensor data which can be processed in conjunction with UV radiation levels.

Once the decision **906** determines that the interval timer has expired, a UV radiation level is acquired **908**. Then, UV radiation information is output **910** to the user of the glasses based on the UV radiation level. For example, the UV radiation information can pertain to an instantaneous radiation level, an accumulated radiation level, or some reference radiation indication. An example of a reference radiation indication can be a numerical value, text or a graphic indication. One example of a numerical value implementation is a value representing a percentage of recommended daily dosage. Another example of a numerical value implementation is a value representing UV intensity. One example of a text implementation would be a word (e.g., "ok", "Burnt", etc.). One example of a graphic implementation would be a bar-type graph. Another example of a graphic implementation would be a graphic symbol (e.g., a lobster symbol, a fire flames symbol, a picture of a sun, or a smiley face).

Next, the interval timer can be reset **912** and the UV monitoring process **900** can thereafter return to repeat the decision **902** and subsequent operations. As a result, the UV monitoring provided by the UV monitoring process **900** can be continuously performed so long as adequate solar energy is present and the glasses are being worn.

FIG. **10** is a flow diagram of a UV monitoring process **1000** according to yet another embodiment of the invention. The UV monitoring process **1000** is, for example, performed by a UV monitoring system embedded within and/or tethered to a pair of glasses. The UV monitoring system can, for example, represent any of the UV monitoring systems **300**, **400**, **450**, **460**, **470**, **600**, **700**, **750**, **770** or **770'** discussed above with reference to FIGS. **3**, **4A-4D**, **6** and **7A-7D**.

The UV monitoring process **1000** begins with a decision **1002** that determines whether adequate solar energy (e.g., sunlight or artificial light) is available. When the decision **1002** determines that adequate solar energy is not available, then the UV monitoring process **1000** is deactivated, blocked or effectively not invoked. In this embodiment, solar cells provide adequate solar energy for the UV monitoring process **1000** to be performed. In other words, the glasses operate in the presence of sufficient light. When the decision **1002** determines that adequate solar energy is not present, then the UV monitoring process **1000** awaits adequate solar energy.

Once the decision **1002** determines that adequate solar energy is available, then the UV monitoring process **1000** proceeds. Here, the UV monitoring process **1000** can optionally determine whether the glasses are being worn. In any case, as shown in FIG. **10**, when the decision **1002** determines that adequate solar energy is available, a UV radiation level is acquired **1004**. For example, the UV radiation level can be acquired by a UV detector.

Next, the UV radiation level is accumulated **1006** during a time period. Here, the UV radiation levels acquired over a predetermined period of time are accumulated **1006** so that the radiation information is based on an accumulation of radiation that has been acquired over the predetermined period of time. For example, the predetermined period of

time can be one hour, four hours, eight hours, twelve hours, twenty-four hours, two days, four days, one week, one month or one year.

Thereafter, a decision **1008** determines whether a UV radiation warning is needed. Here, the accumulated UV radiation level can be compared with a threshold to determine whether the accumulated UV radiation is excessive. In one implementation, the threshold can vary with, or be personalized to, different users, such as based on skin type, age, or skin condition. A user of the glasses can input data (e.g., skin type) by way of at least one switch or button. In another implementation, a plurality of threshold levels can be used, e.g., to provide a progression of UV radiation levels (and notifications). Alternatively, the glasses can use predetermined settings and offer several versions (e.g., different glasses for different skin types).

When the decision **1008** determines that the UV radiation warning is not needed, then the UV monitoring process **1000** returns to repeat the decision **1002** and subsequent operations so that the UV radiation level can continuously or periodically be monitored. In one embodiment, the UV monitoring process **1000** can reset the accumulated UV radiation after the period of time has been exceeded. In another embodiment, the accumulated UV radiation can be reset after no significant UV radiation is present for a period of time (e.g., 6-12 hours), after no significant solar energy is present for a period of time (e.g., 6-12 hours), or after not being worn for a period of time (e.g., 6-12 hours), whereby each evening, for example, the reset can automatically occur. In another embodiment, the UV monitoring system, and thus the UV monitoring process **1000**, can be automatically turned off (which also resets) after the period of time has been exceeded or after no significant UV radiation is present for a period of time.

On the other hand, when the decision **1008** determines that a UV radiation warning is needed, then a UV radiation warning is output **1010** to the user. The warning can be varied or personalized to the user, and/or can vary depending on the user, user preference, UV radiation level, or auxiliary sensor data. In one implementation, the warning can pertain to a recommendation (e.g., SPF recommendation, get out of sun, high exposure warning, etc.). The radiation warning can be output **1010** via the output device. For example, as noted above, the output device can be a display, a speaker or a vibration device. Hence, the warning can be output to the user by displaying text or graphics, audio sounds, or physical actions. Following the output **1010** of the UV radiation warning, the UV monitoring process **1000** can return to repeat the decision **1002** and subsequent operations so that UV monitoring can continue.

Although the circuitry in FIGS. **7A-7D** and the processing in FIGS. **8-10** have been described in the context of monitoring UV radiation, it should be understood that such circuitry and processing are also applicable to monitoring other types of radiation.

FIG. **11** is a flow diagram of a monitoring process **1100** according to still yet another embodiment of the invention. The monitoring process **1100** is, for example, performed by a monitoring system embedded within and/or tethered to a pair of glasses. The monitoring system can, for example, represent any of the UV monitoring systems **300**, **400**, **450**, **460**, **470**, **600**, **700**, **750**, **770** or **770'** discussed above with reference to FIGS. **3**, **4A-4D**, **6** and **7A-7D**.

The monitoring process **1100** begins with a decision **1002** that determines whether adequate solar energy (e.g., light) is available. In one implementation, the monitoring system performing the monitoring process **1100** includes at least

one solar cell or at least one phototransistor, and the solar cell or phototransistor can be used to determine whether there is adequate solar energy available. Hence, when the decision 1102 determines that adequate solar energy is not available, then the monitoring process 1100 is deactivated, blocked or effectively not invoked. In this embodiment, solar cells can provide adequate solar energy for the monitoring process 1000 to be performed. In another embodiment, a phototransistor can detect whether adequate solar energy is available. In other words, the glasses operate in the presence of sufficient light. When the decision 1102 determines that adequate solar energy is not present, then the monitoring process 1100 awaits adequate solar energy. In this condition, the monitoring system can be in a low power condition (e.g., essentially disabled).

Once the decision 1102 determines that adequate solar energy is available, then the monitoring process 1100 proceeds. Here, the monitoring process 1100 can optionally determine whether the glasses are being worn. In any case, as shown in FIG. 11, when the decision 1102 determines that adequate solar energy is available, a decision 1104 determines whether the glasses are being worn by a user. When the decision 1104 determines that the glasses are not being worn or when the decision 1102 determines that adequate solar energy is not present, then a radiation level previously acquired through accumulation (described below) can be slowly dispersed 1106. In one embodiment, the rate of dispersal is substantially slower than the rate of accumulation of the UV radiation level. For example, in a case where the radiation being monitored is UV radiation, the UV radiation level might accumulate to cause a UV radiation warning after 1-2 hours of extensive UV or sunlight exposure, but might take 6-12 hours to disperse the previously accumulated radiation level after the UV radiation is removed. Hence, the accumulation of radiation can gracefully tolerate interruption of radiation, such as when going indoors (e.g., within a building) for a period of time (e.g., 15 minutes, 1 hour, 4 hours, etc.) when UV radiation is being monitored. Following the block 1106, the monitoring process 1100 returns to repeat the decision 1102 and subsequent blocks.

On the other hand, when the decision 1104 determines that the glasses are being worn, a radiation level is acquired 1108. For example, the radiation level can be acquired by a detector (e.g., UV detector). Next, the radiation level is accumulated 1110. Here, the radiation levels acquired can be accumulated so that radiation information can be based on an accumulation of radiation that has been acquired while the glasses are being worn.

Thereafter, a decision 1112 determines whether a radiation warning is needed. Here, the accumulated radiation level can be compared with a threshold to determine whether the accumulated radiation is excessive. In one implementation, the threshold can vary with, or be personalized to, different users, such as based on skin type, age or skin condition. In another implementation, a plurality of threshold levels can be used, e.g., to provide a progression of radiation levels (and notifications). A user of the glasses can input data (e.g., skin type, preferences) by way of at least one switch or button. Alternatively, the glasses can use predetermined settings and offer several versions (e.g., different glasses for different skin types).

When the decision 1112 determines that the radiation warning is not needed, then the monitoring process 1100 deactivates 1114 the radiation warning. Alternatively, when the decision 1112 determines that the radiation warning is needed, then the monitoring process 1100 activates 1116 the radiation warning. The warning can be varied or personal-

ized to the user, and/or can vary depending on the user, user preference, radiation level, or auxiliary sensor data. The radiation warning can be produced at an output device. For example, as noted above, the output device can be a display, a speaker or a vibration device. In one implementation, the warning is a graphical symbol or text that signals the user of the glasses that they have received a significant amount of radiation. Following the deactivation 1114 and the activation 1116, the monitoring process 1100 can return to repeat the decision 1102 and subsequent operations so that monitoring can continue.

The radiation warning can remain active anywhere from a brief period to continuously depending on the type of warning being provided, user preference or manufacturer setting. For example, an audio alert might sound for a few seconds, while a displayed alert might remain on for a longer duration. The radiation warning can be output differently depending on the power situation of the monitoring system. If the monitoring system is being solar powered, then the radiation warning can remain active until deactivated. However, when the monitoring system is being battery powered, the radiation warning might be active for only a brief period.

FIG. 12 is a block diagram of electronic circuitry 1200 according to one embodiment of the invention. The electronic circuitry 1200 can, for example, be used for at least a part of the electronic circuitry 302 shown in FIGS. 3, 4A, 4B, 4D and 6. The electronic circuitry 1200 includes a radiation detector 1202 that outputs a radiation level signal dependent on an amount of radiation impinging on the radiation detector 1202. For example, in the case where radiation from sunlight is being monitored, the radiation detector 1202 can principally detect ultraviolet or infrared radiation. In another example, in the case where radiation from x-ray machines or nuclear materials is being monitored, the radiation detector can principally detect gamma radiation. A radiation accumulator 1204 receives the radiation signal level and accumulates the radiation signal level to produce an accumulated radiation level. A level comparator 1206 can then compare the accumulated radiation level to a threshold level (TH). The threshold level can be fixed, selected or determined. When the accumulated radiation level exceeds the threshold level, then an output driver 1208 operates to output one or more signals to cause an output device to produce an output. The output can be visual, audio, and/or physical. The threshold can be varied or personalized to the user, and/or can vary depending on the user. The threshold can also depend on or vary in view of one or more of user preferences, position (e.g., closer equator), intensity level of radiation, user characteristics (e.g., skin color or type), or auxiliary sensor data, etc. The level comparator 1206 can also use one or more threshold levels.

In one embodiment, the threshold used by the level comparator 1206 can correspond to a recommended daily dosage of such radiation. For example, if the radiation detector 1202 is primarily detecting UV radiation, the recommended daily dosage would pertain to UV radiation.

FIG. 13A is a schematic diagram of an electronic circuit 1300 for a radiation detection system according to one embodiment of the invention. The electronic circuit 1300 is, for example, suitable for use as the electronic circuitry 1200 shown in FIG. 12.

The electronic circuit 1300 includes a phototransistor 1302 and a resistor (R1) 1304 coupled in series between a supply voltage (Vs) and ground. In this embodiment, the phototransistor 1302 implements a radiation detector. As radiation (of an appropriate frequency range) strikes the phototransistor 1302, a voltage V1 appears at a first node

connecting the phototransistor **1302** to the resistor (R1) **1304**. The voltage V1 induces a current I1 that passes through a diode **1305** and a resistor (R2) **1306**. A voltage V2 at a second node then begins to rise from ground level to the level of V1 by the charging of a capacitor (C1) **1308** at a rate dependent on the amount of the current I1 and the capacitance of the capacitor (C1) **1308** and the resistances of the resistors (R2 and R3) **1306** and **1310**, respectively. A Schmitt trigger inverter **1312** couples to the second node and receives the voltage V2 at its input. When the voltage V2 exceeds the turn-on voltage for the inverter **1312**, the output of the inverter **1312** goes low and couples to a third node via a diode **1314**. At this point, the low voltage (V3) at the third node couples to an input of a Schmitt trigger inverter **1316**, which outputs a high voltage (V4) at a fourth node which charges a resistor (R4) **1318** and capacitor (C2) **1320**. The resistor (R4) **1318** couples between the third and fourth nodes. The capacitor (C2) couples between the third node and ground. Once the voltage V3 has risen sufficiently, the inverter **1316** switches to output a low voltage (V4), thereby discharging the capacitor (C2) **1320**. Hence, the inverter **1316**, the resistor (R4) **1318** and the capacitor (C2) **1320** form an oscillator. The outputs for the electronic circuit **1300** are complementary, a positive output from the fourth node and a negative output from an inverter **1322** coupled to the fourth node. These complementary outputs are applicable for driving a LCD type display device.

Although not shown in FIG. 13A, the electronic circuit **1300** can optionally further include a reset switch. For example, if provided, the reset switch can be coupled between the second node and ground. While the reset switch is normally open, when closed the reset switch discharges the capacitor (C1) **1308**. As an example, the reset switch can be implemented by a push button switch. Although the electronic circuit **1300** can automatically reset after no significant UV radiation is present for a period of time (such as noted above), the reset switch permits a user to manually reset the electronic circuit **1300** so as to clear and restart monitoring (e.g., accumulation) of radiation.

The electronic circuit **1300** can facilitate low power operation. In one implementation, the resistor (R1) **1304** can be made large. In another implementation, power dissipated by resistor (R1) can be conserved by using a radiation detector, such as a phototransistor, that is responsive to the radiation of interest but with very low sensitivity to the radiation of interest. In the case of a phototransistor, sensitivity can be reduced by covering the phototransistor with a layer of aluminized Mylar. Aluminized Mylar can attenuate light passing through it by a factor of approximately one-thousand (1000). In still another implementation, the supply voltage (Vs) supplied to the phototransistor **1302** can be periodic, so that power consumed by the resistor (R1), which, in this case, need not be a high resistance, is substantially reduced, yet the phototransistor **1302** has an extended dynamic range. The sensitivity of the radiation measurement can also be adjusted by changing the duty-cycle of the periodic supply voltage (Vs). These various implementations for low power operation can be used singly or in combination.

FIG. 13B is a schematic diagram of a periodic supply voltage circuit **1350** according to one embodiment of the invention. The periodic supply voltage circuit **1350** is, for example, suitable for use to provide a supply voltage (Vs) to the electronic circuit **1300** for a radiation detection system. In this embodiment the supply voltage (Vs) is periodic. In this example, the supply voltage (Vs) uses pulse-width modulation. The periodic supply voltage circuit **1350**

includes a Schmitt trigger inverter **1352** that is powered by a power supply (Vcc) when the radiation detection system is operating (i.e., turned-on). At this point, the voltage (V5) at an input node is assumed low and couples to an input of the Schmitt trigger inverter **1352**, which outputs a high voltage (V6) at an output node which charges a capacitor (C3) **1360** via resistor (R5) **1354** and resistor (R6) **1358**. A diode **1356** conducts during charging, but blocks during discharging. The resistor (R5) **1354** couples between the input and output nodes. The diode **1356** and the resistor (R6) **1358** are coupled in series between the input and output nodes. The capacitor (C3) **1360** couples between the input node and ground. Once the voltage (V5) at the input node has risen sufficiently, the inverter **1352** switches to output a low voltage (V6) at the output node, thereby discharging the capacitor (C3) **1360** via the resistor (R5) **1354**. Hence, the periodic supply voltage circuit **1350** forms an oscillator. The output for the periodic supply voltage circuit **1350** at the output node (V6) can be the supply voltage (Vs) for the radiation detection system. Given the diode **1356**, the supply voltage (Vs) is in the high state for a short time and in the low state for a longer period of time.

Although the resistance and capacitance values for the electronic circuit **1300** and the periodic supply voltage circuit **1350** can vary widely with implementation and application, some exemplary values are as follows. For example, for the electronic circuit **1300**, the resistor (R1) **1304** can be 22 k ohms, the resistor (R4) **1318** can be 330 k ohms, and the capacitor (C2) **1320** can be 0.1 microfarads (μf). The resistor (R2) **1306** and the resistor (R3) **1310** can, for example, be in the range of 1-50M ohms. The capacitor (C1) **1308** can, for example, be in the range of 1-100 μf . For example, for the periodic supply voltage circuit **1350**, the resistor (R5) **1354** can be 10M ohms, the resistor (R6) **1358** can be 200 k ohms, and the capacitor (C3) **1360** can be 0.01 μf .

FIG. 14A is a block diagram of a radiation monitoring system **1400** according to one embodiment of the invention. The radiation monitoring system **1400** can, for example, be used for the electronic circuitry **302** shown in FIGS. 3, 4A, 4B, 4D and 6. The radiation monitoring system **1400** includes a radiation detector **1402** that detects impinging radiation, such as ultraviolet radiation, infrared radiation or light, and outputs a radiation indication to a radiation-to-frequency converter **1404**. The radiation indication can represent an amount of radiation impinging on the radiation detector **1402**. The radiation-to-frequency converter **1404** converts the radiation indication into a frequency signal. The frequency signal is supplied to an output manager **1406**. The output manager **1406** coordinates when an output is to be provided for the radiation monitoring system **1400**. In one embodiment, the output manager **1406** determines that an output indication should be provided based on a count or a division with respect to the frequency signal. For example, the greater the amount of radiation being detected by the radiation detector **1402**, the greater the frequency of the frequency signal. Hence, when greater levels of radiation are detected, the output manager **1406** can more quickly provide an output indication (e.g., signaling substantial radiation exposure) as compared to a situation in which the amount of radiation being detected by the radiation detector **1402** is substantially less.

In any case, when the output manager **1406** determines that an output indication is to be provided, the output manager **1406** provides an output signal to an output driver **1408**. The output driver **1408** controls an output device so as to produce an output indication. The output indication can be

textual (including numerical) and/or graphical. For example, as a numerical output, the output could indicate a percentage of acceptable radiation for a day that has been already detected. As another example, the output could be a graphical output that pertains a symbol or a graph. In one embodiment, the output provided by the output device is a visual output on a display device. However, in general, the output can be visual and/or audio. For example, examples of audio outputs are beeping sounds, synthesized speech, or pre-recorded audio messages.

The output manager **1406** receives the frequency signal from the radiation-to-frequency converter **1404** and can determine when an output indication should be provided. In one implementation, the output manager **1406** can include a divider that divides down the frequency signal from the radiation-to-frequency converter **1404** such that the output manager **1406** causes the output driver **1408** to produce an output indication based on an amount of radiation that has effectively been detected. As an example, a predetermined amount of radiation to be effectively detected can be controlled by altering the amount of division provided by the divider. Hence, the amount of division utilized by the output manager **1406** can correspond to a radiation threshold amount, such as a recommended daily dosage of ultraviolet radiation. The amount of division provided by the divider can also depend on or vary in view of one or more of user preferences, position (e.g., proximity to equator), intensity level of radiation, user characteristics (e.g., skin color or type), or auxiliary sensor data, etc. Alternatively, the output manager **1406** can include a counter that counts based on the frequency signal from the radiation-to-frequency converter **1404**, wherein the amount of count utilized by the output manager **1406** can also correspond to a radiation threshold amount.

In an alternative embodiment, the radiation-to-frequency converter **1404** can instead be a radiation-to-pulse-width converter. The radiation-to-pulse-width converter can convert the radiation indication into a pulse-width signal. The pulse-width signal is supplied to an output manager **1406**. The output manager **1406** arranges when an output is to be provided for the radiation monitoring system **1400**. In one embodiment, the output manager **1406** determines that an output indication should be provided based on the width of the pulse of the pulse-width signal.

FIG. **14B** is a block diagram of a radiation monitoring system **1420** according to another embodiment of the invention. The radiation monitoring system **1420** is, for example, a detailed embodiment of the radiation monitoring system **1400** illustrated in FIG. **14A**.

The radiation monitoring system **1420** includes a sensor **1422**. The sensor **1422** senses radiation, such as ultraviolet radiation or infrared radiation. The sensor **1422** outputs a radiation indication to a radiation-to-frequency converter **1424**. The radiation-to-frequency converter **1424** outputs a frequency signal ϕ_1 to a divider **1426**. The divider **1426** divides the frequency signal ϕ_1 and outputs a divided frequency signal Q_N . The divided frequency signal Q_N is supplied to a latch **1428**. As shown in FIG. **14B**, in one embodiment, the latch **1428** can be a set-reset type of latch. The output of the latch **1428** is an output signal (OUT). The output signal (OUT) is supplied to a LCD driver **1430**. When the output signal (OUT) is high, the LCD driver **1430** causes an output indication to be provided on a LCD display **1432**.

Still further, the radiation monitoring system **1420** includes a power supply **1434** that supplies power to various components under the radiation monitoring system **1420**. The power supply **1434** outputs a positive voltage (V+), a

ground signal (GND), and a negative voltage (B-). The signals provided by the power supply **1434** are supplied to various components of the radiation monitoring system **1420** as shown in FIG. **14B**. In addition, the radiation monitoring system **1420** includes a first switch (S1) and a second switch (S2). The first switch (S1) is a reset switch that is coupled to the divider **1426** and the latch **1428**. When the first switch (S1) is closed a reset operation occurs so that the divider **1426** and the latch **1428** are reset. Hence, any accumulated data in these components is cleared. As a result, radiation monitoring can be cleared and restarted by closing and then opening the first switch (S1). The second switch (S2) is coupled to the power supply **1434** and serves as an on-off switch. When the second switch (S2) is closed (i.e., “switched on”), the power supply **1434** outputs various voltage signals. On the other hand, when the second switch (S2) is open (i.e., “switched off”), the power supply **1434** does not output the voltage levels.

As noted above, the radiation monitoring system **1420** is an example of a more detailed embodiment of the radiation monitoring system **1400** illustrated in FIG. **14A**. As such, the divider **1426** and the latch **1428** together can correspond to the output manager **1406** in one embodiment, and the LCD driver **1430** can correspond to the output driver **1408** in one embodiment.

FIG. **14C** is a schematic diagram of a radiation-to-frequency converter **1440** and a sensor according to one embodiment of the invention. The radiation-to-frequency converter **1440** represents a detailed embodiment for the radiation-to-frequency converter **1424** illustrated in FIG. **14B**. As shown in FIG. **14C**, the sensor includes a phototransistor **1442** that serves as a radiation sensor. In particular, the phototransistor **1442** can be sensitive to a particular wavelengths of radiation, such as ultraviolet radiation or infrared radiation. As radiation impinges on the phototransistor **1442**, a voltage dependent upon the amount of radiation impinging on the phototransistor **1442** is produced at a first node **1444**. The first node **1444** is coupled to ground by a capacitor **1446**. A Schmitt trigger inverter **1448** couples between the first node **1444** and a second node **1450**. The output of the radiation-to-frequency converter **1440** is provided at the second node **1450** and pertains to the frequency signal ϕ_1 . The phototransistor **1442** is also coupled between the first node **1444** and the second node **1450**. In addition, a series combination of a resistor **1452** and a diode **1454** are also coupled between the first node **1444** and the second node **1450**. The frequency signal ϕ_1 being produced at the second node **1450** has a frequency that is dependent upon the resistance of the resistor **1452**, the capacitance of the capacitor **1446**, the sensitivity of the phototransistor **1442**, and the amount of radiation impinging upon the phototransistor **1442**. If the first node **1444** is low, the second node **1452** is high. In such a situation, radiation impinging upon the phototransistor **1442** causes the first node **1444** to transition to a “high” level, which then in turn causes the second node **1450** to transition to a “low” level. Subsequently, from such a state, the first node **1444** is discharged to a “low” state in accordance with a time constant set by the resistor **1452** and the capacitor **1446**. The cycling continues so that the resulting frequency signal ϕ_1 is produced. As an example, the resistance of the resistor **1452** can be 10 k ohms, and the capacitance of the capacitor **1446** can be 0.1 microfarads, and the resulting frequency for the resulting frequency signal ϕ_1 is then about in a range of about 0-400 Hertz. The Schmitt trigger inverter **1448** can be implemented by a CD74HC14 chip, for example. Hence, the radiation-to-frequency converter **1440** can produce a digital output which

has a frequency dependent on the amount of impinging radiation. The digital output is also produced in a power-efficient manner. In one embodiment, power-efficiency results because the Schmitt trigger inverter **1448** is power efficient, the capacitor **1446** is rather small, and the resulting frequency signal ϕ_1 is low. Power consumption can be further reduced by only periodically supplying power to some or all of the components of the radiation-to-frequency converter **1440**, or more generally, the radiation monitoring system **1400**.

FIG. **14D** is a schematic diagram of a latch **1450** according to one embodiment of the invention. The latch **1450** represents a detailed embodiment for the latch **1428** shown in FIG. **14B**. The latch **1450** includes a first NAND gate **1452** and a second NAND gate **1454**. These NAND gates **1452** and **1454** are connected as shown in FIG. **14D**.

FIG. **14E** is a schematic diagram of a LCD driver **1460** according to one embodiment of the invention. The LCD driver **1460** represents a detailed embodiment for the LCD driver **1430** illustrated in FIG. **14B**. The LCD driver **1460** includes a diode **1462** having a cathode terminal that receives the enable signal (EN) from the latch **1450**, and an anode terminal that couples to a first node **1464**. The LCD driver **1460** also includes a capacitor **1466** that couples between the first node **1464** and ground. Additionally, the LCD driver **1460** includes a first Schmitt trigger inverter **1468** coupled between the first node **1464** and a second node **1470**, and a second Schmitt trigger inverter **1472** connected to the second node **1470**. In addition, a resistor **1474** couples the first node **1464** and the second node **1470**. The output of the LCD driver **1460** is provided from the second node **1470** and from the output of the second Schmitt trigger inverter **1472**. These outputs are the designed to excite the appropriate one or more LCD elements of the LCD display **1432** so as to produce the desired output indication. As an example, the resistance of the resistor **1474** can be 330 k ohms, and the capacitance of the capacitor **1466** can be 0.1 microfarads, and the resulting frequency for the outputs (when enabled) is then about 200 Hertz. The Schmitt trigger inverters can be implemented by a CD74HC14 chip, for example. It should be noted that LCD driver **1460** is designed to excite a single LCD element or a single group of LCD elements. Hence, in cases in which the output indication is to excite multiple LCD elements at different times, additional circuitry would be required.

FIG. **14F** is a schematic diagram of a power supply **1475** according to one embodiment of the invention. The power supply **1475** represents a detailed embodiment of the power supply **1434** illustrated in FIG. **14B**.

The power supply **1475** includes a battery **1476** that is coupled between a positive voltage terminal (V+) then a negative voltage terminal (B-). The power supply **1475** also includes a transistor **1477**. In one embodiment, the transistor **1477** is an enhancement type n-channel MOSFET. The drain terminal of the transistor **1477** is coupled to the ground terminal of the power supply **1475**, and a source terminal of the transistor **1477** is coupled to the negative voltage terminal (B-). A gate terminal of the transistor **1477** couples to a first node **1478**. The first node **1478** is coupled to the negative voltage terminal (B-) by a capacitor **1479-1**, and is coupled to the positive voltage terminal (V+) by a resistor **1479-2** and a switch **S2a**. The switch **S2a** is closed when the power supply **1475** is "on." The power supply **1475** also includes a switch **S2b** that is closed when the power supply **1475** is "off." Hence, only one of the switches **S2a** and **S2b** are closed at any one point. When the switch **S2b** is closed, the first node **1478** is coupled to the negative voltage

terminal (B-) so that the transistor **1477** is "off." On the other hand, when the switch **S2a** is closed, the first node **1478** is able to hold a positive voltage which activates the transistor **1477**. When the transistor **1477** is activated, the negative voltage provided on the negative voltage terminal (B-) is provided at the ground (GND) terminal. As an example, the resistance of the resistor **1479-2** can be 100 k ohms, and the capacitance of the capacitor **1479-1** can be 0.01 microfarads, and the battery can provide 3 Volts (e.g., 35 mA-H). The transistor **1477** can be implemented by a 2N708 chip, for example.

In one embodiment, a radiation detector can be mounted on a substrate and couple to other circuitry so that radiation monitoring can be performed. The manner in which the radiation detector is mounted to the substrate can vary with implementation. In one implementation, the substrate is a printed circuit board (PCB) that supports not only the radiation detector but also the other circuitry. FIGS. **14G-14I** illustrate examples of a few possible implementations in the case where the radiation detector is a UV detector; however, other implementations can be utilized.

FIG. **14G** is a cross-sectional view of a UV detector arrangement **1480** according to one embodiment of the invention. The UV detector arrangement **1480** is formed on a printed circuit board **1481** that contains a hole (or opening) **1482**. A phototransistor **1483** is placed in the hole **1482**. A base **1484** for the phototransistor **1483** is used to electrically connect the phototransistor **1483** to the printed circuit board **1481** via solder **1485**. A film of aluminized Mylar **1486** is attached to the top of the printed circuit board **1481** at the hole **1482**. The aluminized Mylar **1486** serves as a sensitivity reducer since it generally attenuates the radiation (e.g., UV or IR radiation) that impinges on the phototransistor **1483**. The aluminized Mylar **1486** can be attached to the printed circuit board **1481** by an adhesive, such as epoxy. Attached to the top of the aluminized Mylar **1486** is an aluminum sheet **1487** with an opening **1488**. The opening **1488** corresponds to, but has a substantially smaller diameter than the hole **1482**. Hence, the aluminum sheet **1487** further restricts radiation (i.e., restricts volume of radiation) impinging on the phototransistor **1483**. An optical filter **1489** is placed over the aluminum sheet **1487** at the vicinity of the hole **1482**. As an example, the optical filter **1489** primarily passes UV radiation. The UV radiation then is limited by the opening **1488** in the aluminum sheet **1487**, attenuated by the aluminized Mylar **1486**, and then the attenuated UV radiation is sensed by the phototransistor **1483**. The aluminum sheet **1487** and the optical filter **1489** can be attached with an adhesive, such as epoxy.

Optionally, the back side of the printed circuit board **1481** at the vicinity of the phototransistor **1483** can attenuate or block radiation that might otherwise impinge on and be sensed by the phototransistor **1483**. As shown in FIG. **14G**, an aluminum sheet **1491** can be attached to the back side of the printed circuit board **1481** behind the phototransistor **1483**. The aluminum sheet **1491** can be attached with an adhesive, such as epoxy.

Finally, the top of the UV detector arrangement **1480**, except for the optical filter **1489**, can be encapsulated by a top encapsulant **1490**. For example, the top encapsulant **1490** can be epoxy. The bottom of the UV detector arrangement **1480** can be encapsulated by a bottom encapsulant **1492**. For example, the bottom encapsulant **1492** can be epoxy. The epoxy used for the encapsulant **1490** or **1492** can be opaque (e.g., block epoxy) to further assist in blocking radiation.

FIG. 14H is a cross-sectional view of a UV detector arrangement 1480' according to one embodiment of the invention. The UV detector arrangement 1480' is formed on a printed circuit board 1481 that contains a hole (or opening) 1482. A phototransistor 1483 is placed in the hole 1482. A base 1484 for the phototransistor 1483 is used to electrically connect the phototransistor 1483 to the printed circuit board 1481 via solder 1485. A film of aluminized Mylar 1486 is attached to the top of the printed circuit board 1481 at the hole 1482. The aluminized Mylar 1486 serves as a sensitivity reducer since it generally attenuates the radiation that impinges on the phototransistor 1483. The aluminized Mylar 1486 can be attached to the printed circuit board 1481 by foil tape 1493 (that uses an adhesive). The foil tape 1493 does not cover the region of the aluminized Mylar 1486 above the phototransistor 1483. The foil tape 1493 further restricts radiation (i.e., restricts volume of radiation) impinging on the phototransistor 1483. Attached to the top of the foil tape 1493 is an optical filter 1489 at the vicinity of the hole 1482. Foil tape 1494 (that uses an adhesive) can be used to hold the optical filter 1489 in position. The foil tape 1494 may also serve to restrict radiation impinging on the phototransistor 1483. As an example, the optical filter 1489 primarily passes UV radiation. The UV radiation can then be limited by the opening in the foil tapes 1493 and 1494 as well as the aluminized Mylar 1486. A cavity 1497 in the hole 1482 above the phototransistor 1483 can be filled with an epoxy, such as clear epoxy.

Optionally, the back side of the printed circuit board 1481 at the vicinity of the phototransistor 1483 can attenuate or block radiation that might otherwise impinge on and be sensed by the phototransistor 1483. As shown in FIG. 14H, a foil tape 1496 can be attached to the back side of the printed circuit board 1481 behind the phototransistor 1483. A bottom cavity 1498 between the back side of the printed circuit board 1481 and the foil tape 1496 can be filled with an opaque substance, e.g., block epoxy, to further assist in attenuating or blocking radiation.

FIG. 14I is a cross-sectional view of a UV detector arrangement 1480" according to one embodiment of the invention. The UV detector arrangement 1480" shown in FIG. 14I is generally similar to the UV detector arrangement 1480' shown in FIG. 14H, except that the UV detector arrangement 1480" does not use the optical filter 1489 or the foil tape 1494. In such an embodiment, an optical filter (such as the optical filter 1489) is not required because the spectral response of the phototransistor 1483' is appropriate without filtering or because a coating provided on the phototransistor 1483' or its housing (package) effectuates similar filtering and obviates the need for a separate optical filter (such as the optical filter 1489).

The phototransistor 1483 or 1483' shown in FIGS. 14G-14I can be a photodiode as noted elsewhere in this patent application. In addition, the phototransistor 1483 or 1483' (or photodiode) can have a height greater than the thickness of the printed circuit board 1481.

FIG. 14J is a partial block diagram of a radiation monitoring system 3000 according to one embodiment of the invention. The radiation monitoring system 3000 represents one implementation of a portion of the radiation monitoring system 1400 illustrated in FIG. 14A or a portion of the radiation monitoring system 1420 illustrated in FIG. 14B. In particular, the radiation monitoring system 3000 provides reduced power operation. The reduced power operation can substantially extend battery life. In this embodiment, a radiation-to-frequency converter 3002 receives a low duty cycle signal V_D . The low duty cycle signal V_D causes the

radiation-to-frequency to periodically operate briefly. The duty cycle and frequency for the low duty cycle signal V_D can vary with implementation.

FIG. 14K is a schematic diagram of a radiation-to-frequency converter 3010 and a sensor according to one embodiment of the invention. The radiation-to-frequency converter 3010 is generally similar to the radiation-to-frequency converter 1440 illustrated in FIG. 14C. However, the radiation-to-frequency converter 3010 uses a photodiode 3012 instead of the phototransistor 1442. Also, the resistor 1452 and the diode 1454 illustrated in FIG. 14C are typically not needed as the photodiode 3012 is a diode and often includes an internal resistance. One example of such a photodiode is Everlight PD-15-22 (another is Everlight PD-93-21), though various different photodiodes can be used, and an optical filter may be used with the photodiode. Additionally, the radiation-to-frequency converter 3010 also include a transistor 3014. The transistor 3014 is controlled by the low duty cycle signal V_D such that the low power operation results. Namely, only when the low duty cycle signal V_D is "low" is significant power being consumed by the radiation monitoring system to monitor radiation. As a result, the radiation monitoring system can operate under battery power for extended durations.

FIG. 14L is a diagram of a representative waveform 3020 of a low duty cycle signal V_D . The low duty cycle signal V_D is "low" much less than it is "high." In this embodiment, radiation monitoring occurs when low duty cycle signal V_D is "low." Hence, the on time for a periodic low duty cycle signal V_D is denoted t_{ON} and the off time is denoted t_{OFF} . As an example, the on time t_{ON} can be 0.5 seconds, while the off time t_{OFF} can be 128 seconds (which is a duty cycle of 256 to 1).

FIG. 14M is a schematic diagram of a power supply 3040 according to one embodiment of the invention. The power supply 3040 represents a detailed embodiment for a power supply that could be an alternative design for the power supply 1434 illustrated in FIG. 14B.

The power supply 3040 includes a battery 3042 that is coupled between a positive voltage terminal (B+) and ground terminal (GND). The power supply 3040 includes an on/off switch S3. When the switch S3 is closed the power supply is turned on. In one implementation, the switch S3 is a push button switch that is normally open (i.e., not close). The power supply 3040 also includes a resistor 3044 and a transistor 3046. In one embodiment, the transistor 3046 is an enhancement type p-channel MOSFET. The drain terminal of the transistor 3046 is coupled to the ground terminal (GND) of the power supply 3040 via a resistor 3048, and a source terminal of the transistor 3046 is coupled to the positive voltage terminal (B+) of the battery 3042. A gate terminal of the transistor 3046 is coupled to a first node 3049. The first node 3049 is coupled to the positive voltage terminal (B+) by the resistor 3044, and can be coupled to the ground terminal (GND) via the switch S3. The power supply 3040 also includes a transistor 3050, having a gate terminal coupled to a second node 3051, a source terminal connected to the ground terminal (GND), and a drain terminal connected to a third node 3052. In one embodiment, the transistor 3050 is an enhancement type n-channel MOSFET. Further, the power supply 3040 includes a transistor 3054, a resistor 3056 and a capacitor 3058. In one embodiment, the transistor 3054 is an enhancement type p-channel MOSFET. The gate terminal of the transistor 3054 connects to the third node 3052, the source terminal of the transistor 3054 connects to the positive voltage terminal (B+), and the drain terminal of the transistor 3054 connects to a voltage output

terminal (V+). The resistor **3056** and the capacitor **3058** are connected in parallel between the positive voltage terminal (B+) and the third node **3052**.

The operation of the power supply **3040** can be briefly explained as follows. When the switch **S3** is press (momentarily), the transistor **3046** pulls the second node **3051** to approximately the positive voltage terminal (B+), which activates the transistor **3050**. When the transistor **3050** is activated, the third node is pulled to approximately ground, which activates the transistor **3054**. When the transistor **3054** is activated, the voltage output terminal (V+) is capable of outputting power for use by other circuitry. Since the switch **S3** is soon released, the transistors **3046** and **3050** deactivate. However, the transistor **3054** remains on for a period of time determined by a time constant determined by the resistor **3056** and the capacitor **3058**. Hence, during the period of time, charge from the capacitor **3058** is slowly discharged. Once substantially discharged, the transistor **3054** deactivates, thus ceasing output of any power to the other circuitry. In effect, the power supply **3040** automatically turns off after the period of time. As an example, the period of time can be 12 hours (e.g., representing daily usage of a radiation monitoring system). The power supply **3040** can also receive a reset signal that serves to restart any "auto-off" timing that may be used.

It should be noted that a power supply for a radiation monitoring system can be implemented in various ways. The power supply **1475** illustrated in FIG. **14F** uses an "on" switch and an "off" switch. The power supply **3040** in FIG. **14M** uses a single "on" switch (e.g., push button) and an "auto-off" feature. In still another embodiment, the power supply, and thus the radiation monitoring system, can always be powered on. With CMOS transistor devices, the power consumption is relatively low such that a radiation monitoring system could be battery powered for an extended period of time without the need to recharge or replace the battery (i.e., long battery life). When the radiation monitoring is only briefly performed periodically, such as discussed above with reference to FIGS. **14J**, **14K** and **14L**, the power consumption is particularly low and the battery life can be particularly long.

FIG. **14N** is a diagram of a binary counter **4000** according to one embodiment of the invention. The binary counter **4000** is, for example, suitable for use as at least a portion of the divider **1426** illustrated in FIG. **14B**. As an example, the binary counter **4000** can be a 26-bit counter. The inputs to the binary counter **4000** include the frequency signal ϕ_1 from a radiation-to-frequency converter (e.g., radiation-to-frequency converter **1424**), a reset signal (such as from a switch **S1**), and an enable signal. The switch **S1** is, for example, a push-button type switch. The binary counter **4000** can have a plurality of output lines (e.g., twenty-six (26) output lines), of which five such lines Q_{19} through Q_{24} are illustrated. These output are representative outputs that might be utilized by subsequent circuitry to control an output device. However, it should be understood that other output lines could alternatively be used. The enable input to the binary counter **4000** permits the binary counter to count when "high" but stops the binary counter **4000** from counting when "low."

FIG. **14O** is a block diagram of latch-driver circuitry **4100** according to one embodiment of the invention. In one embodiment, the latch-driver circuitry **4100** can correspond to the latch **1428**, the LCD driver **1430** and the LCD display **1432** as shown in FIG. **14B**.

In this embodiment, the latch-driver circuitry **4100** has the capability to separately drive a plurality of different seg-

ments. These segments can be segments of a LCD display and can be combined to form symbols or charts. For example, in one embodiment, the LCD segments can be utilized to form a bar graph output.

The latch-driver circuitry **4100** includes a latch **4102** that receives an input associated with output Q_{19} from a divider (e.g., the binary counter **4000**). The output of the latch **4102** is supplied to a LCD driver **4104**. The LCD driver **4104** includes NAND gates **4106** and **4108**. The outputs of the NAND gates **4106** and **4108** are supplied to a LCD segment-1 **4110**. The LCD driver **4104** also includes frequency signals ϕ_2 and $/\phi_2$ from an oscillator **4112**.

The latch-driver circuitry **4100** further includes a latch **4114**, a LCD driver **4116** and a LCD segment-2 **4418**. The latch **4114** receives an input signal associated with the output Q_{20} from the divider (e.g., the binary counter **4000**). Likewise, for one or more other outputs from the divider (e.g., the binary counter **4000**), the latch-driver circuitry **4100** can include a latch, a LCD driver and a LCD segment. In this regard, the output Q_N from the divider represents a generic output signal which is supplied to a latch **4120**. The output of the latch **4120** is supplied to a LCD driver **4122**. The output of the display driver **4122** is coupled to a LCD segment-N **4124**. Additionally, each of the latches **4102**, **4114** and **4120** receives a reset signal from a switch **S1**.

Still further, the output Q_N is coupled to an enable terminal of the divider (e.g., the binary counter **4000**) via an inverter **4126**. When the signal Q_N is high, the LCD segments are fully illuminated; hence, the enable signal output by the inverter **4126** is "low" so that the divider (e.g., the binary counter **4000**) is disabled, until reset.

FIG. **14P** is a block diagram of driver circuitry **4200** according to one embodiment of the invention. The driver circuitry **4200** is coupled to one or more outputs from a divider (e.g., the binary counter **4000**). In this illustrated embodiment, the driver circuitry **4200** couples to the outputs Q_{20} and Q_{21} .

The driver circuitry **4200** includes a LCD driver **4202** that receives the outputs Q_{20} and Q_{21} from the divider (e.g., the binary counter **4000**). These signals Q_{20} and Q_{21} are supplied to a NOR gate **4206** whose output is supplied to NAND gates **4208** and **4210**. The outputs of the NAND gates **4208** and **4210** are supplied to a LCD graphic segment-1 **4204**. As shown in FIG. **14P**, the LCD graphic segment-1 **4204** represents a "happy" smiley face.

Additionally, the output Q_{20} is supplied to a LCD driver **4212** whose output in turn drives a LCD graphic segment-2 **4214**. Further, the output Q_{21} is supplied to a LCD driver **4216** whose output in turn drives a LCD graphic segment-3 **4218**. As shown in FIG. **14P**, the LCD graphic segment-2 **4214** is a "neutral" smiley face, and the LCD graphic segment-3 **4218** is a "sad" smiley face. It should be understood that various other graphical symbols or images can be used in place of smiley faces.

The driver circuitry **4200** also includes an oscillator **4220** that supplies the output frequency signals ϕ_2 and $/\phi_2$ to the LCD drivers **4202**, **4212** and **4216**. The driver circuitry **4200** further includes an inverter **4222** coupled to the output Q_{21} . The output of the inverter **4222** is coupled to the enable terminal of the divider (e.g., the binary counter **4000**) so that the divider (e.g., the binary counter **4000**) is stopped once the output Q_{21} is "high."

FIG. **14Q** is a block diagram of driver circuitry **4300** according to another embodiment of the invention. In this embodiment, the output is a numerical value. In one embodi-

ment, the driver circuitry **4300** can correspond to the latch **1428**, the LCD driver **1430** and the LCD display **1432** as shown in FIG. **14B**.

In this embodiment, the driver circuitry **4300** has the capability to separately drive a plurality of different segments. These segments are segments of a LCD display and can be combined to form numerical values. For example, in one embodiment, the segments can be utilized to output numerical values from 0-9. In other embodiments, the range of numerical outputs could be more or less than 0 through 9.

The driver circuitry **4300** receives a plurality of outputs from a divider (e.g., the binary counter **4000**), such as outputs Q_{19} , Q_{20} , Q_{21} and Q_{22} . These outputs are supplied to a BCD-to-7 segment converter **4302**. The output of the converter **4302** is supplied to a 7-segment LCD driver **4304**. The 7-segment LCD driver **4304** couples to a 7-segment display **4306**. Here, the outputs from the divider (e.g., the binary counter **4000**) are converted such that a numerical range is output on the 7-segment display **4306**. For example, the 7-segment display **4306** can display a number from 0 to 9 indicating a quantity or intensity of radiation. A NAND gate **4308** is coupled to the output Q_{19} and the output Q_{22} so as to decode a value of "9" at the outputs and cause the enable signal to go "low", thereby ceasing operation of the divider (e.g., binary counter **4000**) when such reaches its maximum value.

The radiation monitoring system can also be implemented by primarily digital design. FIG. **14R** is a block diagram of a radiation monitoring system **4400** according to another embodiment of the invention. The radiation monitoring system **4400** uses a microcontroller **4402** and can be considered a primarily digital implementation. As an example, the radiation monitoring system **4400** can implement functions similar to the radiation monitoring system **1400** shown in FIG. **14A** as well as the radiation monitoring system **1420** shown in FIG. **14B**, using either radiation-to-frequency techniques or, alternatively, radiation-to-pulse-width techniques. However, the flexibility provided by the digital implementation is not limited to implementing these particular techniques.

In addition to the microcontroller **4402**, the radiation monitoring system **4400** includes a battery **4404** and a capacitor **4406**. The battery **4404** provides power to the microcontroller **4402**. The capacitor **4406** together with the sensor **1422** and the microcontroller **4402** can be used to monitor radiation. The microcontroller **4402** also determines whether and what to display on the LCD panel **1432**. In one implementation, the microcontroller **4402** can include a display driver for driving the LCD panel **1432**. One example of a suitable microcontroller for the microcontroller **4402** is the 4-bit microcontroller TM8704 available from Tenx Technology, Inc.

In one embodiment, the monitoring of radiation by the radiation monitoring system **4400** is performed using a pulse-width measurement technique. In such an embodiment, periodically, the microcontroller **4402** outputs a HIGH signal (digital "1" signal) on an OUTPUT pin and then monitors an INPUT pin for a HIGH signal. In one implementation, the sensor **1442** is implemented by a photodiode having its anode connected to the INPUT pin and its cathode connected to the OUTPUT pin. When the photodiode detects radiation, the photodiode conducts. Then, the HIGH signal on the OUTPUT pin propagates to the INPUT pin and charges up the capacitor **4406**. The higher the intensity of the radiation, the faster the capacitor **4406** is charged to the HIGH signal. The duration of time between the outputting of the HIGH signal on the OUTPUT pin and the detection of

a HIGH signal on the INPUT pin is dependent on the radiation intensity detected by the sensor **1422** and the capacitance of the capacitor **4406**. The microcontroller **4402** measures this duration of time. The radiation intensity measured by the microcontroller **4402** is thus inversely proportional to the period of time. An intensity value can be computed as a value that is proportional to a constant divided by the period of time. This intensity value is then accumulated with the prior accumulated intensity value to determine a current accumulated intensity value. The current accumulated intensity value is then compared to one or more threshold levels to determine an output indication to be displayed on the LCD panel **1432**. As discussed elsewhere in this patent application, the output indication can take many different forms. One exemplary form is a series of increasing bars that are activated as the accumulated current intensity value exceeds a corresponding series of threshold levels.

In one embodiment, upon turn-on of the radiation monitoring system **4400**, such as via a switch (SW1) **4408**, the current accumulated intensity value maintained by the microcontroller **4402** can be cleared or set to zero. Hence, the turn-on can also act as a reset. In an alternative embodiment, the current accumulated intensity value could be very gradually reduced to provide a slow discharge of the accumulated intensity value as a function of time. In the alternative embodiment, the current accumulated intensity value need not be reset.

In one embodiment, to assist in the efficient power utilization of the radiation monitoring system **4400**, the microcontroller **4402** can be placed in a low power state when not acquiring a radiation measurement. This can be achieved by a sleep, halt or stop mode or other approaches to reduce power consumption. Then, periodically the microcontroller would briefly operate in an active or non-low power state to acquire and accumulate the radiation measurement. The periodicity can vary with implementation, such as from fifteen (15) seconds to fifteen (15) minutes. The greater the period the longer battery life, but the less the accuracy. A reasonable solution might use a period on the order of about three (3) minutes. In acquiring the period of time (for the radiation measurement), a maximum time-out can be provided so that power is not wasted. Typically, if the radiation monitoring system is monitoring light or UV radiation in the dark (or for UV, the environment has very low UV, such as at night or inside a car with windows closed), then the time period being measured would time-out. Thereafter, if desired, the periodicity by which re-measurement is performed can be made longer so as to further conserve power. In another embodiment, once the radiation monitoring system **4400** is turned-on, it can remain on for a predetermined period of time and then automatically turn itself off (or enter a very low power mode). For example, after being turned-on with no user input for eight (8) hours, the radiation monitoring system **4400** can automatically turn itself off.

The radiation monitoring system **4400** can also include a second switch (SW2) **4410** to enable a user's skin type to be selected. For example, the second switch **4410** can provide different switch positions for different skin types (e.g., light, medium and dark). The switch position can affect the various threshold levels that are used when comparing with the current accumulated intensity value to determine an output indication to be displayed on the LCD panel **1432**. As an example, when the output indication is presented as a series of five segments (S1-S5) of increasing bars that are activated as the accumulated current intensity value exceeds

a series of threshold levels, Table I provided below provides illustrative threshold levels for various skin types.

TABLE I

Skin Type	S1	S2	S2	S4	S5
Light	.25	.5	1	2	4
Medium	.5	1	2	4	8
Dark	1	2	4	8	16

The times (durations) provided in Table I are in units of hours and are times for the various segments of the LCD panel to activate in the presence of medium-to-light radiation (e.g., UV index (UVI) of about 3). It should be noted that if the radiation present were greater than medium-to-light, then these times in Table I would be shorter. Likewise, if the radiation present were less than medium-to-light, then these times in Table I would be longer.

FIGS. 15A, 15B and 15C are radiation detection systems according to different embodiments of the invention. These radiation detection systems are described in the context of UV radiation detection (which uses a UV sensor); however, it should be understood that these radiation detection systems can be also be used to detect other types of radiation. This can be accomplished, for example, by replacing the UV sensor in the radiation detection system with another type of sensor, such as an infrared sensor or light sensor. These UV detection systems are compact modular systems. The UV detection systems can be built on a single substrate that is designed to be inserted into an end product. Since the UV detection system is compact and modular, the end product need only have an opening, cavity or container to hold or encompass the UV detection system. As such, the end product can quickly be transformed into an end product capable of providing UV monitoring. Advantageously, in one embodiment, the UV detection system is such that has minimal impact on design of the end product and no tedious wiring is required. For example, in case in which the end product is an eyeglass frame, a temple of the eyeglass frame can have an opening, cavity or container to hold or encompass the UV detection system, whereby no other changes or complications to the eyeglass frames need be imposed. Other such end-products can include: hats, shoes, tee-shirts, swimming-suits, key rings, purses, beverage can holders, and other consumer products.

FIG. 15A is a cross-sectional diagram of a UV detection system 1500 according to one embodiment of the invention. The UV detection system 1500 is built on a substrate 1502. The substrate 1502 can be a printed circuit board, a flexible tape or film (e.g., Kapton® polyimide film), ceramic, and the like, as known in the art. The UV detection system 1500 includes a power source 1504, an UV sensor 1506, electrical circuitry 1508 and a display device 1510 (e.g., LCD or LED). The display device 1510 is one type of output device, so it should be recognized that other embodiments can utilize other types of output devices. The power source 1504 is, for example, a battery or a solar panel of one or more solar cells. For example, if the power source 1504 is a battery, the battery can be a coin battery, such as often used in electronic watches. In one embodiment, the UV sensor 1506 includes a phototransistor. In one embodiment, the electrical circuitry 1508 includes one or more of analog electrical components (e.g., capacitors, resistors, diodes, transistors) or integrated circuits. Any such integrated circuits can be provided in a variety of packages, but surface mount packages can help maintain a thin profile for the UV

detection system 1500. The various electrical components can be wire bonded onto the substrate 1502. For example, a SiC or GaN phototransistor (or photodiode) can serve as at least part of a UV sensor and be wire bonded onto the substrate 1502 or other electrical component. The UV detection system 1500 shows components of the system mounted to both sides of the substrate 1502.

FIG. 15B is a cross-sectional diagram of a UV detection system 1520 according to another embodiment of the invention. The UV detection system 1520 can utilize the same or similar components as the UV detection system 1500. However, unlike the UV detection system 1500, the UV detection system 1520 mounts all components on one side of the substrate 1502. The effect of the UV detection system 1520 is a thinner module, though the substrate 1502 may be longer, as compared to the UV detection system 1500 shown in FIG. 15A.

FIG. 15C is a cross-sectional diagram of a UV detection system 1540 according to another embodiment of the invention. The UV detection system 1540 can utilize the same or similar components as the UV detection system 1500. However, unlike the UV detection system 1500, the UV detection system 1540 mounts the UV sensor 1506 at or near the edge of the substrate 1502. This has the potential advantage of positioning the UV sensor 1506 in a position so that it is better able to receive incident radiation (e.g., sunlight). The mounting of the UV sensor 1506 with respect to the substrate 1502 can also be flexible so that the UV sensor 1506 can be positioned, such as angularly positioned with respect to the substrate 1502 and/or angularly oriented when assembled into an opening, cavity or container of an end-use product. For example, the UV sensor 1506 could be soldered onto the substrate 1502 tipped at an angle. Alternatively, a small prism could be mounted on top of the UV sensor 1506, providing an angled direction of sensitivity. For example, the prism could be formed in place by filling a small, angled, box with clear optical adhesive (such as epoxy) that, when set would provide a prism, efficiently-coupled to the UV sensor 1506.

The UV sensor 1506 utilized in the UV detection systems 1500, 1520 and 1540 may use an optical filter with an optical sensor. For example, the optical sensor can respond to light, UV and infrared radiations, and the sensitivity of the optical filter causes the optical sensor to capture primarily the target radiation (e.g., UV) wavelengths of light. Hence, the UV sensor 1506 can include such optical filter. For example, the optical filter can be implemented as a coating on the optical filter. Alternatively, the optical filter can also be a separate component that is positioned proximate to the optical sensor when the end product is assembled. In other words, an optical filter can be another component of the UV detection system, or can be a separate component that is inserted when assembled into the end product. In one embodiment, an optical adhesive can be used to secure the optical filter to the optical sensor.

FIG. 16A is a cross-sectional view of an eyewear housing 1600 containing a UV detection system according to one embodiment of the invention. Here, the eyewear housing 1600 can represent a portion of the temple region of a frame for a pair of glasses. Typically, the portion of the temple region is forward of the user's ear (i.e., towards the lens holders) when the glasses are being worn. The UV detection system contained within the eyewear housing 1600 is, for example, the UV detection system 1500 shown in FIG. 15A. The eyewear housing 1600 has an opening, cavity or container to receive the UV detection system. The eyewear housing 1600 also has a first opening 1602 and a second

opening 1604. The first opening 1602 is aligned with the power supply 1504, which would in such an embodiment be a solar panel. Hence, the first opening 1602 can allow light to impinge on the solar panel. The second opening 1604 is aligned with the display device 1510 so that information displayed can be seen. The eyewear housing 1600 also includes an optical filter 1606 that is positioned proximate to the UV sensor 1506. In one embodiment, the optical filter 1606 is a separate component that inserted into an opening in the eyewear housing 1600 that is proximate (e.g., adjacent) to the UV sensor 1506. In another embodiment, the optical filter 1606 is integral with the UV sensor 1506.

FIG. 16B is a cross-sectional view of an eyewear housing 1620 containing a UV detection system according to another embodiment of the invention. The eyewear housing 1620 has an opening, cavity or container to receive the UV detection system, such as the UV detection system 1500 shown in FIG. 15A. The eyewear housing 1620 also has a first window 1622 and a second window 1624. The first window 1622 is aligned with the power supply 1504, which would in such an embodiment be a solar panel. Hence, the first window 1622 can allow light to impinge on the solar panel. The second window 1624 is aligned with the display device 1510 so that information displayed can be seen. The eyewear housing 1600 also includes a third window 1626. The third window 1626 is positioned proximate to the UV sensor 1506. The third window 1626 can, in one embodiment, operate as an optical filter for the UV sensor 1506. The first and second windows 1622 and 1624 can be clear or colored so long as adequate light passes through.

FIG. 16C is a cross-sectional view of an eyewear housing 1640 containing a UV detection system according to still another embodiment of the invention. The eyewear housing 1640 is generally similar to the eyewear housing 1620 illustrated in FIG. 16B. However, FIG. 16C illustrates one way to secure the UV detection system within the portion of the temple region of the eyewear housing 1640. In particular, the eyewear housing 1640 include a stand 1642 and an adhesive material 1644. When assembled, the UV detection system can be placed within the temple region of the eyewear housing 1640 and positioned against the stand 1642, then the adhesive 1644 can be provided within the temple region to secure the UV detection system in position. The adhesive can vary widely, such as glue, double-stick tape, silicone rubber, epoxy, etc.

FIG. 16D is a cross-sectional view of an eyewear housing 1660 containing a UV detection system according to yet still another embodiment of the invention. The eyewear housing 1660 is generally similar to the eyewear housing 1600 illustrated in FIG. 16A, except that the electrical circuitry 1508 may be repositioned on the substrate 1502 and a switch base 1662 and a switch 1664, such as a button switch, are provided. As shown in FIG. 16D, the switch base 1662 can attach to the substrate 1502 and thereby support the switch 1664 that protrudes outside of the eyewear housing 1660 (or is otherwise accessible) so that a user can activate the switch (e.g., press the button).

FIG. 16E is a cross-sectional view of an eyewear housing 1670 containing a radiation monitoring system according to one embodiment of the invention. The eyewear housing 1670 includes a substrate 1502, such as a printed circuit board. The UV sensor 1506, more generally a radiation sensor, can be placed in an opening or indentation of the substrate 1502, or on the substrate 1502. The optical filter 1606 is provided proximate to the radiation sensor which is also adjacent to an opening 1672 in the eyewear housing 1670. As an example, the eyewear housing 1670 can corre-

spond to a temple of a pair of eyeglasses. The electrical circuitry 1508 can also be attached to the substrate 1502. In this embodiment, the electrical circuitry 1508 includes an integrated circuit chip 1674 that is attached or bonded to a first side of the substrate 1502 (e.g., printed circuit board). As an example, the integrated circuit chip 1674 can be a microcontroller, such as the microcontroller 4402 illustrated in FIG. 14R. The display device 1510 can be attached to a second side of the substrate. For example, the display device 1510 can be a LCD panel. Optionally, the opening 1672 can contain an optical element, such as a lens, to focus radiation onto the radiation sensor, thereby broadening sensitivity to the angle of incident radiation. broadening angle sensitivity. The optical element may also service as a radiation attenuator and/or an optical filter. For example, a tinted diffuser dome can act as a lens and an attenuator. Hence, if such an optical element is used, the optical element may obviate the need for the separate optical filter 1606. More generally, the optical filter 1606 may not be necessary when the sensitivity of the radiation sensor is adequate to limit the measurement to the desired radiation. Although not shown in FIG. 16E, the radiation monitoring system could also typically include a power source, such as a battery or solar cell, one or more switches, and additional electrical circuitry 1508 (e.g., capacitor) besides the integrated circuit chip 1674.

In general, the UV detection system according to the invention can make use of zero or more switches. One type of switch is a button switch, such as a push-button switch. As an example, the switch can serve as a reset switch, an on/off switch, or an on (and reset) switch.

FIG. 17A is a cross-sectional view of a module housing 1700 according to one embodiment of the invention. As shown in FIG. 17A, the module housing 1700 can operate as a housing for the UV detection system 1500 shown in FIG. 15A. The module housing 1700 includes a first window 1702 and a second window 1704. The first window 1702 can be proximate to the display device 1510, and the second window 1704 can be proximate to the power supply 1504, which would in such an embodiment be a solar panel. The first and second windows 1702 and 1704 can be clear or colored so long as adequate light passes through. In one embodiment, the thickness of the first and second windows 1702 and 1704 is greater than the thickness of the walls of the module housing 1700. The module housing 1700 can also include an opening 1706 that is positioned proximate to the UV sensor 1506. Still further, although not illustrated in FIG. 17A, the module housing 1700 can further include one or more vents or holes so that air can circulate through the module housing 1700. Alternatively, the module housing 1700 does not include vents or holes, so as to be water-resistant or water-proof.

The module housing 1700 is a housing for a module, such as a UV detection system. The module housing 1700 is then placed into an opening, cavity or container of an eyewear housing, such as a temple region of the eyewear housing. The module housing 1700 protects the module. The module housing 1700 can also be used to regularize or standardize the form factor for the UV detection system, such that the opening, cavity or container of the eyewear housing can be regularized or standardized.

FIG. 17B is a cross-sectional view of an eyewear housing 1720 according to one embodiment of the invention. The eyewear housing 1720 has an opening, cavity or container 1721 for receiving the module housing 1700. As shown in FIG. 17B, the module housing 1700 is contained by the eyewear housing 1720. The eyewear housing 1720 includes an opening 1722 that corresponds to the first window 1702

of the module housing 1700. The eyewear housing 1720 also includes an opening 1724 that corresponds to the second window 1704 of the module housing 1700. Still further, the eyewear housing 1720 can optionally further include an optical filter 1726 corresponding to the third opening 1706 of the module housing 1700 (and thus proximate to the UV sensor 1506). The module housing 1700 can, for example, be held in position with respect to the eyewear housing 1720 by an adhesive or by an interference fit.

FIG. 18 is a cross-sectional view of an eyewear housing 1800 having a reflective-type filter according to one embodiment of the invention. Here, the eyewear housing 1800 can represent a temple region of a frame for a pair of glasses. Typically, a large percentage of the temple region is in front of the user's ear when the glasses are being worn. The eyewear housing 1800 has an internal cavity 1802 where a circuit board 1804 is provided. Electrically coupled to the circuit board 1804 are a UV detector 1806 (e.g., based on a photodetector), electrical circuitry 1808, a display device (e.g., LED, LCD) 1810, and solar cell(s) 1812. As a result, the circuit board 1804 and the UV detector 1806, the electrical circuitry 1808, the display device 1810 and the solar cell(s) 1812 are within the internal cavity 1802 and thus embedded within the eyewear housing 1800.

A UV reflector 1814 is mounted on an internal support 1816. Light impinges on the UV reflector 1814 via an opening 1818 in the eyewear housing 1800. The opening 1818 allows radiation to pass through to the UV reflector 1814. In one embodiment, there can be a piece of transparent material at the opening 1818 to prevent dust or dirt from getting through the opening 1818 into the internal cavity 1802. The opening 1818 can also be considered a transparent region in the eyewear housing 1800. The UV reflector 1814 selectively reflects primarily the UV portion of the radiation towards the UV detector 1806. As a result, the reflector 1814 serves as a reflective-type filter, that is, a type of optical filter. For example, the reflector 1814 can be made of a material that substantially reflects UV light but does not reflect non-UV light. An example of one such reflector is known as a UV hot mirror. Also, the eyewear housing 1800 can also include transparent portions 1820 and 1822 which are adjacent to the display device 1810 and the solar cell(s) 1812, respectively. The transparent portion 1820 allows light from the display device 1810 to be seen from the outside of the eyewear housing 1800. The transparent portion 1822 allows light from an external light source to impinge on the solar cell(s) 1812. Alternatively, the display device 1810 could extend to and conform with an outer surface of part of the eyewear housing 1800, and the solar cell(s) 1812 could extend to and conform with an outer surface of part of the eyewear housing 1800. Alternatively, if a battery were used in place of the solar cell(s) 1812, then the transparent portion 1822 would not be needed.

In one embodiment, a number of previously described transparent regions, portions, or sheets of materials, such as the transparent portions 1820 and 1822 in FIG. 18, can be translucent (including partially translucent). Still another alternative is that the eyewear housing 1800 could be primarily translucent.

The optical sensor or UV sensor can receive impinging light from a variety of different directions (i.e., angle of incidence) depending on implementation. For example, the light can come from an opening in the top of the temple, such as shown in FIG. 18, or at a side of the temple, such as shown in FIGS. 16A-16C and 17B. As another example, the light can come from an opening at an angle between the top and the side of the temple. Typically, the optical sensor or the

UV detector would be aligned with the opening at whatever angle it takes, such alignment tends to maximize sensitivity of the optical sensor or the UV detector. The optimal angle can also be based on the latitude. Thus, at the equator, the UV detector should point upward. And at the north pole, the sensor should point horizontally. In one embodiment, the size of the opening can be larger to increase impinging light, or can be smaller to decrease impinging light. In another embodiment, the opening can be flared outward so as to increase the amount of impinging light. Further, the opening can also support a lens for focusing impinging light.

The UV detection system can also have a "being-worn" switch as noted above. In one embodiment, the "being-worn" switch enables the UV monitoring system to automatically determine when to monitor UV radiation and when not to monitor UV radiation. In particular, the UV radiation can be monitored when an eyeglass frame having the UV detection system is "being-worn" and not when the eyeglass frame is not "being-worn." The "being-worn" switch can be positioned in the temple portion with the other components of the UV detection system. In one embodiment, the UV detection system is provided, as a module as noted above, and which further includes a switch. The switch can, for example, be a "being worn" switch. By having the switch in the module, the manufacture and assembly of the end-product having the UV detection system can be simplified. As examples, the "being-worn" switch can be an optical, magnetic or mechanical switching device.

The "being-worn" switch can make use of the situation that the temples are in an open position when the eyeglass frame is being worn, and in a closed position when not being worn. In one embodiment, the "being-worn" switch can be positioned at a temple proximate to a region that couples the temple to its corresponding lens holder. For example, the UV detection system (e.g., module) can be provided within the temple region near the end of the temple so that the "being worn" switch is adjacent the lens portion of the eyeglass frame.

FIG. 19 is a side view of a temple 1900 for an eyeglass frame according to one embodiment of the invention. The side view of FIG. 19 shows an outer side of the temple 1900, namely, the side of the temple 1900 that faces outward when being worn. The temple 1900 includes therein a UV detection system 1902 internal to the temple 1900. A window 1904 is provided in the temple 1900 for light (e.g., sunlight) to impinge on a UV sensor of the UV detection system 1902. The window 1904 can also provide some optical filtering effects, such as noted above. Although not shown in FIG. 19, the temple 1900 may also have a window or opening for a solar panel. At a forward end 1906 of the temple 1900 where a hinge is typically provided, a pin 1908 is exposed. The pin 1908 passes through an opening at the forward end 1906 of the temple 1900. The pin 1908 is coupled to a switch internal to the temple 1900 and part of the UV detection system 1902. When the pin 1908 is not depressed, as shown in FIG. 19, the switch informs the UV detection system 1902 that the eyeglass frame is closed, i.e., not being worn. On the other hand, when the eyeglass frame is opened, i.e., presumably being worn, the pin 1908 is depressed by the forward end 1906 abutting against a portion of its corresponding lens holder, thereby informing the UV detection system 1902 that the eyeglass frame is opened. In one embodiment, the pin 1908 is only depressed when the temple 1900 of the eyeglass frame is fully opened, such that the eyeglass frame would almost necessarily be worn (particularly when there is a bias against the eyeglass frame being fully open).

FIGS. 20A and 20B are top view diagrams of a portion of an eyeglass frame 2000 according to one embodiment of the invention. The eyeglass frame 2000 includes a lens holder 2002 and a temple 2004. The temple 2004 includes a UV detection system therein. The UV detection system includes an opening or window 2006 that corresponds to an optical sensor used by the UV detection system. The optical sensor is used as a “being-worn” switch. When the eyeglass frame 2000 is in the open position as shown in FIG. 20A, the optical sensor detects significant light, thereby informing the UV detection system that the eyeglass frame 2000 is presumably being worn. On the other hand, when the eyeglass frame 2000 is in the closed position as shown in FIG. 20B, the opening or window 2006 is covered by a flap 2008 provided on the lens holder 2002. When the flap 2008 covers the opening or window 2006, no significant light can be detected by the optical sensor. In such case, the UV detection system is informed that the eyeglass frame 2000 is not being worn.

FIG. 21 is a side view of a temple 2100 for an eyeglass frame according to one embodiment of the invention. The side view of FIG. 21 shows an inner side of the temple 2100, namely, the side of the temple 2100 that faces inward when being worn. The temple 2100 includes therein a UV detection system 2102 internal to the temple 2100. The temple 2100 may also have a window or opening (not shown) that corresponds to an output device (e.g., display). A window or opening 2104 is provided at a rearward portion of the temple 2100. The window or opening 2104 corresponds to an optical sensor (internal to the temple 2100) provided at the window or opening 2104. The window or opening 2104 allows light (e.g., sunlight) to impinge on the optical sensor. The optical sensor is coupled to the UV detection system 2102 via one or more electrical wires 2106. When the temple 2100 of the eyeglass frame is being worn by a user, the optical sensor will be blocked from receiving significant amounts of light, thereby informing the UV detection system 2102 that the eyeglass frame is being worn. For example, the optical sensor can be blocked by the user’s head or hair when the eyeglass frame is being worn. On the other hand, when the temple 2100 of the eyeglass frame is not being worn by a user, the optical sensor will receive significant amounts of light, thereby informing the UV detection system 2102 that the eyeglass frame is not being worn. Of course, at night often little or no light will impinge on the optical sensor. Optionally, in such case the lack of any significant light (e.g., detected by another optical sensor or solar cell) can be used to ensure that the UV detection system does not operate at night, such that the eyeglass frame can be considered not being worn at night (even if being worn at night).

FIG. 22 is a side view of a temple 2200 for an eyeglass frame according to another embodiment of the invention. The side view of FIG. 22 shows an outer side of the temple 2200, namely, the side of the temple 2200 that faces outward when being worn. The temple 2200 includes therein a UV detection system 2202 internal to the temple 2200. Although not shown in FIG. 22, the temple 2200 may also have windows or openings for a solar panel and/or an optical sensor. At a forward end 2204 of the temple 2200, a magnetic switch 2206 is provided. The magnetic switch 2206 is internal to the temple 2200 and part of the UV detection system 2202. The magnetic switch 2206 can use a magnet to provide a switch. The magnetic switch 2206 switches from a first position to a second position when a metallic material is adjacent the forward end 2204 of the temple 2200. For example, such metallic material can be provided in a portion of a lens holder that abuts the forward

end 2204 when the temple 2200 is in the open position. Here, when the switch is in the open position, the metallic material is adjacent the forward end 2204 of the temple 2200, and the UV detection system 1902 understands that the eyeglass frame is opened, i.e., presumably being worn. In such case, the switch can be considered to be in the second position. On the other hand, when the eyeglass frame is closed, i.e., not being worn, the switch is in the first position because the metallic material is no longer adjacent the forward end 2204 of the temple 2200. Then, the UV detection system 2202 understands that the eyeglass frame is closed (i.e., not being worn). In one embodiment, the magnetic switch 2206 can be implemented by a Hall effect sensor. Alternatively, it should be understood that the magnetic switch could be provided at a portion of a lens holder that abuts the forward end 2204 when the eyeglass frame has the temple 2200 open, and the metallic material could be at the forward end 2204.

The “being worn” switch can also be used by a user to signal the UV detection system to provide its output at an output device, such as a display device. For example, when the “being worn” switch is initially closed (i.e., being worn), the UV detection system can output its text or graphical output to the display device. Typically, the displayed output would be displayed only for a limited period of time (e.g., 10 seconds). Such an approach is power efficient, yet permits the user to obtain the output information when desired. Alternatively, another switch (e.g., dedicated output switch) could be used to cause the output to be displayed for a limited period of time or while the switch is depressed.

The UV detection system can also make use of one or more switches to change operational settings, such as threshold levels, output type, user preferences, user physical characteristics (e.g., skin type), accumulation mode or non-accumulation mode, activation/deactivation of auxiliary sensors.

The UV detection system can make use of one or more variable capacitors or resistors within the design of the electronic circuit to facilitate a manufacturer or dispenser to calibrate the UV detection. Such can assist with quality control as well as consistency or uniformity. The UV detection system can also alter another aspect of the electronic circuitry, such as a count or divide amount (FIG. 14B), to calibrate the UV detection.

Calibration or customization of the UV detection system can also be performed after manufacturer by a user or dispenser. As one example, the eyewear can be sold or dispensed with one or more stickers available for placement over the radiation detector (e.g., UV sensor). The stickers can attenuate the radiation impinging on the radiation detector. In other words, the stickers can perform sensitivity adjustment on the UV detection system. Different ones of the stickers can offer different degrees of attenuation. A user can thus select an appropriate sticker based on their skin type (or amount of exposure they prefer) and place it over the radiation detector, thereby calibrating or customizing the UV detection system to the user.

As previously noted, the optical sensor (e.g., UV sensor) can be implemented by at least one photodetector, such as a phototransistor. Although various different phototransistors can be utilized, one example of a suitable phototransistor is Part No. PT100MCOMP available from Sharp Microelectronics of the Americas. As another example, a suitable phototransistor for the phototransistor is Part No. EL-PT15-21B (1206 phototransistor) available from Everlight Electronics Co., Ltd. As still another example, other suitable phototransistors are GaN or SiC phototransistors. Alterna-

tively, although the discussion above at times refers to phototransistors, the photodetector can also be a photodiode. In the case of a photodiode, similar circuitry to that noted above would be utilized. Although various different photodiodes can be utilized, one example of a suitable photodiode is Part No. PD100MCOMP available from Sharp Micro-electronics of the Americas.

The radiation sensors or detectors, including phototransistors and photodiodes, used for radiation monitoring are often designed for sensing or detecting certain types of radiation. For example, a UV sensor or UV detector would be an electronic device that is sensitive to UV radiation, namely, the wavelengths of light pertaining to UV spectrum. While such electronic device may be primarily sensitive to such radiation of interest (e.g., UV radiation), they may also be somewhat sensitive to other radiation. Optical filters can be used to assist these sensors or detectors in sensing the desired type of radiation. Nevertheless, radiation monitoring can be achieved even though the radiation sensors or detectors are sensitive to non-desired radiation so long as they are primarily or principally responsive to the desired radiation.

When the radiation to be monitored is UV radiation, the optical filter described above is typically implemented by a material that passes radiation in the UV wavelength band and blocks radiation not in the UV wavelength band. Various materials can be used in this regard. In one embodiment, the material providing the optical filtering can be known as a UV cold mirror. However, in another embodiment, the optical filter may have other characteristics, such as a material (e.g., polycarbonate) that passes radiation not in the UV wavelength band and blocks radiation in the UV wavelength band. In another embodiment, the optical filter can utilize a material that passes light primarily associated with the ultraviolet wavelength range while substantially blocking light of other wavelengths. Such a material can, for example, be a filter made from quartz-glass with nickel oxide, such is commonly known as Wood's glass. The material implementing the optical filter can also be configured in various ways, such as a plug for an opening or a coating on a surface (or on the photodetector itself). In one embodiment, the material implementing the optical filter can either pass or reflect the UV radiation.

An output (e.g., notification, such as a warning) to the user can vary in content and type. The type can be visual and/or audio. The content can be numerical, graphical, musical, textual, synthesized text, etc. A progression of warnings can be used to give more substantial warning (such as when prior warnings are ignored). The output can also be predetermined, dynamically determined or configurable. Still further, the output can be dependent on user preferences, user physical characteristics (e.g., skin type), auxiliary sensor information (e.g., location), and degree of health risk.

The radiation monitoring system can also include one or more connectors with the eyewear. The connectors can, for example, facilitate electrical or mechanical interconnection with an external electrical device (e.g., computing device, media player, headset, power source). Although the format and size of the connectors can vary, in one embodiment, the connector is a standard audio connector or a peripheral bus connector (e.g., USB connector).

The radiation monitoring system can also include one or more switches with the eyewear. The switches can, for example, facilitate user input or control with respect to the radiation monitoring system. For example, the switches can provide one or more of on/off, reset, on, on (and reset), and calibration. One example of a calibration switch is a skin type switch that provides switch positions for different skin

types (e.g., light, medium and dark). The radiation monitoring system can also provide a user with an indication of whether the system is currently on or off, such as by a graphical image on a display device or by a LED.

A radiation monitoring system can also include a memory. The memory can be volatile or non-volatile. The memory can also be removable or non-removable with respect to the eyewear. If the memory is volatile, the radiation monitoring system could include a battery to provide power to the memory so that stored data (e.g., accumulated radiation, user preferences, etc.) can be retained even when adequate solar energy is not available. As an example, the presence of a memory can allow storage of radiation information for an extended period of time to acquire a historical understanding of radiation information.

In one embodiment, an eyeglass frame can include memory that can store acquired radiation information, such stored radiation information can be subsequently uploaded to a computer, in a wired or wireless manner. The radiation information can then be analyzed by the computer. For example, a doctor may require a patient to keep track of his exposure to UV radiation, or other radiations, to assist the doctor to evaluate risks or symptoms.

In another embodiment, a user of an eyeglass frame interact with a switch provided on the eyeglass frame to set a calibration level. As an example, in the case of UV radiation, the calibration level can correspond to the user's skin type. In general, the calibration level causes the amount of acceptable radiation (e.g., threshold levels) to vary.

In still another embodiment, a user can go through a calibration procedure when the user purchases the eyeglasses. The calibration procedure can operate to personalizes the UV detection system for the user. For example, the complexion of the user's skin affects the user's sensitivity to UV. Based on the skin complexion, a UV monitoring system adjusts the levels of acceptable exposure to UV. The calibration procedure can be performed wired or wirelessly. For example, the calibration can be done by a computer, with the calibration data downloaded to the eyeglasses through a connector integral with the eyeglasses.

A radiation monitoring system can also include a communication module. The communication module would allow data transmission to and from the radiation monitoring system (namely, the eyewear) and an external device. The data being transmitted can, for example, be radiation information, configuration data, user preferences, or auxiliary sensor data. The data transmission can be wireless or wire-line based. The eyewear can further include a connector operatively connected to the radiation monitoring system. Such a connector can facilitate data transmission with respect to the radiation monitoring system or the eyewear.

A temple of a pair of glasses can be removable of the remainder of the frame. Such facilitates replacement of temples. For example, a convention temple could be removed from a frame and replaced with a temple having a least one electrical component at least partially embedded therein.

A radiation monitoring system can be partially or fully contained in a temple arrangement associated with a temple of a pair of glasses. In one embodiment, the temple arrangement can be removable from the temple. A temple arrangement can be a temple tip, a temple cover or a temple fit-over.

A radiation monitoring system can be partially or fully tethered to a pair of glasses. For example, some of the components for monitoring radiation or one or more auxiliary sensors can be tethered to the eyewear. In one embodiment, the tethered components can be tethered at the neck or

upper back region of the user. Tethering components allows for increased design freedom with the eyewear as well as additional area with which to house the components.

Still further, a radiation monitoring system could be partially or completely within a device or a base that can be tethered to eyewear.

A number of embodiments have been described above for an eyeglass frame, i.e., primary frame. Such embodiments are also applicable to an auxiliary frame. An auxiliary frame can attach to a primary frame through different techniques, such as using clips. Another technique to attach an auxiliary frame to a primary frame is by way of magnets. Examples of using magnets as an attachment technique can be found, for example, in U.S. Pat. No. 6,012,811, entitled, "EYE-GLASS FRAMES WITH MAGNETS AT BRIDGES FOR ATTACHMENT."

Although much of the discussion above concentrates on UV monitoring, the invention is generally applicable to radiation monitoring. The radiation can, for example, pertain to one or more of UV, infrared, light and gamma radiation. Light, namely visible light, can be referred to as ambient light.

Also, the above discussion concerning UV sensor or UV monitor is generally applicable to radiation sensors or monitors. One embodiment of a radiation sensor or monitor which principally measures light is a light sensor or a light monitor. More particularly, in measuring light, sunlight is a dominant source of light, such that a radiation sensor or monitor which principally measures light can be referred to as a sun sensor or a sun monitor. In such case, radiation monitoring can be considered light monitoring or sunlight monitoring.

Visible light is part of everyday life and is generally not considered harmful to persons. In one embodiment, the measurement of light can be used to infer a measurement of harmful radiation (e.g., UV radiation).

A number of embodiments have been described where a radiation monitoring system is embedded in a temple of an eyeglass frame. However, in other embodiments, the radiation monitoring system can be in other parts of the eyeglass frame, such as the bridge or lens holder region. Also, for eyewear having shield(s) or wrap-around lenses, the radiation monitoring system can also be in such shield(s) or lenses.

Although much of the above discussion pertains to providing radiation (e.g., radiation) monitoring capabilities in eyewear, it should be understood the any of the various embodiment, implementations, features or aspects noted above can also be utilized in other or on end products besides eyewear. Examples of other such end-products can include: hats (e.g., soft hats, hard-hats, helmets), watches or watch bands, bracelets, bracelet accessories, necklaces, necklace accessories, rings, shoes (e.g., sandals, athletic shoes, beach shoes), shoe accessories, clothing (e.g., tee-shirt, swimming-suit, ties, pants, jackets, etc.), belts, belt accessories, zippers, key rings, purses, beach-tags, containers (e.g., cups, bottle, tube—such as a sun tan lotion bottle or tube); container holders (e.g., can holders, coasters, coolers, etc.), and other consumer products.

FIGS. 23A-23G illustrate examples of various end products having radiation monitoring capability. FIG. 23A illustrates a hat 2300 having a radiation monitoring system 2302. The radiation monitoring system 2302 can be attached to or embedded within the hat 2300. FIG. 23B illustrates a watch 2304 having a radiation monitoring system 2302. The watch 2304 can have a base 2306 and a band 2308. The radiation monitoring system 2302 can be coupled to the band 2308 as

illustrated in FIG. 23B. Alternatively, the radiation monitoring system 2302 can be coupled to the base 2306. FIG. 23C illustrates a shirt 2310 having a radiation monitoring system 2302. As shown in FIG. 23C, in one embodiment, the radiation monitoring system 2302 can be placed in the upper, chest, back or shoulder region of the shirt 2310. FIG. 23D illustrates a shoe 2312 having a radiation monitoring system 2302. The radiation monitoring system 2302 can, for example, be placed at the top, upper portion of the shoe 2312. FIG. 23E illustrates a key chain 2314 having a radiation monitoring system 2302. FIG. 23F illustrates a bracelet or necklace 2316 having a radiation monitoring system 2302. FIG. 23G illustrates a bottle or tube 2318 having a radiation monitoring system 2302.

If the end product is soft or made of cloth (e.g., clothing, purse, hat, etc), then the radiation monitoring system (e.g., provided as a module) can be sewn onto the cloth or adhered to the cloth using an adhesive (e.g., adhesive tape). The module, or a case for the module, can have thin flanges about its periphery which can be easily sewn onto the cloth. The case for the radiation monitoring system can be molded into its desired shape (e.g., injection molded, compression molded or vacu-formed). The case can be soft (vinyl, thin polypropylene, soft polyurethane, or PET). Typically, if flanges are utilized for sewing, they would be thin and soft. Alternatively, the case can be hard (e.g., PVC, polypropylene, nylon, polycarbonate, or styrene). If the end product is hard, the case can also be hard.

When the end product is a container, such as the bottle or tube 2318 shown in FIG. 23G, the radiation monitoring system 2302 can be attached to the bottle or tube 2318 or can be molded into the bottle or tube 2318. In one embodiment, the bottle or tube 2318 is a plastic container. The radiation monitoring system 2302 is particularly well suited to be attached or integral with a bottle or tube, often plastic, that contains sun tan lotion. Sun tan lotion includes sun tan or sun block lotions, including sun tan or sun block oils.

The various embodiments, implementations and features of the invention noted above can be combined in various ways or used separately. Those skilled in the art will understand from the description that the invention can be equally applied to or used in other various different settings with respect to various combinations, embodiments, implementations or features provided in the description herein.

The invention can be implemented in software, hardware or a combination of hardware and software. A number of embodiments of the invention can also be embodied as computer readable code on a computer readable medium. The computer readable medium is any data storage device that can store data which can thereafter be read by a computer system. Examples of the computer readable medium include read-only memory, random-access memory, CD-ROMs, magnetic tape, optical data storage devices, and carrier waves. The computer readable medium can also be distributed over network-coupled computer systems so that the computer readable code is stored and executed in a distributed fashion.

The advantages of the invention are numerous. Different embodiments or implementations may yield one or more of the following advantages. One advantage of the invention is that radiation monitoring can be inconspicuously performed in conjunction with eyewear. Another advantage of the invention is that electrical components for radiation monitoring can be embedded within a frame (e.g., temple) of eyewear. Still another advantage of the invention is that radiation monitoring can be intelligently performed such that it operates only at likely appropriate times to improve

accuracy and usefulness. Yet another advantage of the invention is that eyewear may further include one or more auxiliary sensors that can cause additional output to be provided to the user.

Numerous specific details are set forth in order to provide a thorough understanding of the invention. However, it will be understood by those skilled in the art that the invention may be practiced without these specific details. The description and representation herein are the common meanings used by those experienced or skilled in the art to most effectively convey the substance of their work to others skilled in the art. In other instances, well-known methods, procedures, components, and circuitry have not been described in detail to avoid unnecessarily obscuring aspects of the present invention.

In the foregoing description, reference to “one embodiment” or “an embodiment” means that a particular feature, structure, or characteristic described in connection with the embodiment can be included in at least one embodiment of the invention. The appearances of the phrase “in one embodiment” in various places in the specification are not necessarily all referring to the same embodiment, nor are separate or alternative embodiments mutually exclusive of other embodiments. Further, the order of blocks in process flowcharts or diagrams representing one or more embodiments of the invention do not inherently indicate any particular order nor imply any limitations in the invention.

The many features and advantages of the invention are apparent from the written description and, thus, it is intended by the appended claims to cover all such features and advantages of the invention. Further, since numerous modifications and changes will readily occur to those skilled in the art, it is not desired to limit the invention to the exact construction and operation as illustrated and described. Hence, all suitable modifications and equivalents may be resorted to as falling within the scope of the invention.

What is claimed is:

1. Eyewear, comprising:

- a supporting frame for the eyewear;
- a radiation detector to capture data, the radiation detector being an electrical component that is at least partially in the supporting frame;
- an electronic circuit provided at or within the supporting frame and electrically connected to the radiation detector, the electronic circuit configured to process at least the data captured by the radiation detector;
- a communication module operable to transmit data to or from the eyewear, the communication module being provided within the supporting frame;
- a switching device that is coupled to the supporting frame and at least partially exposed external to the supporting frame, the switching device being configured to distinguish whether the supporting frame is in a wearable position by a user or in a collapsed position in which the supporting frame is not in a wearable position; and
- a controller operatively connected to the electronic circuit, the communication module and the switching device, the controller being provided within the supporting frame.

2. An eyewear device, comprising:

- a frame configured to hold one or more optical elements, at least one temple connected to the frame at a joint such that the temple is movable relative to the frame between a collapsed position and a wearable position, wherein with the temple in the wearable position, the eyewear device can be wearable by a user;

at least one electronic component provided internal to the frame; and

a switching device that is provided proximate to the joint and that is configured to distinguish whether the temple is in the wearable position or in the collapsed position.

3. An eyewear device as recited in claim 2, wherein the switching device includes at least a first element on a first face of the temple.

4. An eyewear device as recited in claim 3, wherein the joint comprises a hinge assembly that is configured such that the first element is configured to contact a complementary surface or a second element on the frame when the temple is in the wearable condition.

5. An eyewear device as recited in claim 3, wherein the joint comprises a hinge assembly that is configured such that the first element is configured to interact with a complementary surface or a second element on the frame when the temple is in the wearable condition.

6. An eyewear device as recited in claim 2, wherein the eyewear device comprises a battery internal to the at least one temple.

7. An eyewear device as recited in claim 2, wherein the frame includes a front portion, the temple is movably coupled to the front portion of the frame, and the switch is positioned proximate to an end portion of the front portion of the frame.

8. An eyewear device as recited in claim 2, wherein the frame includes a front portion, and wherein the front portion includes at least a lens holder provided at an end of the front portion, and wherein a forward end of the temple is adjacent and movably coupled to the end of the front portion or the lens holder at the end of the front portion.

9. An eyewear device as recited in claim 8, wherein the switching device includes a first element attached to the forward end of the temple, and a second element attached to the end of the front portion or the lens holder at the end of the front portion.

10. An eyewear device as recited in claim 2, wherein the eyewear device comprises a rechargeable battery provided internal to the frame, wherein the at least one electronic component is electrically connected to the rechargeable battery, and an electrical connector at least partially contained within the eyewear frame, the electrical connector being electrically connected to the rechargeable battery.

11. An eyewear device as recited in claim 10, wherein the eyewear device comprises a circuit substrate provided internal to the frame of the eyewear device and coupled to the at least one electronic component.

12. An eyewear device as recited in claim 2, wherein the eyewear comprises:

- at least one auxiliary sensor configured to provide auxiliary sensor data;
- an audio output device to inform a user of the eyewear of output information, wherein the audio output device is at least partially embedded in the temple of the eyewear device.

13. An eyewear device as recited in claim 12, wherein a front section of the frame includes one or more lens holders to hold one or more lenses, the one or more lenses permit a user whom wears the eyewear device to view its physical environment through the one or more lenses.

14. Eyewear as recited in claim 1, wherein the radiation detector is a photodetector.

45

15. Eyewear as recited in claim 1, wherein the eyewear comprises:

at least one auxiliary sensor configured to provide auxiliary sensor data; and

an audio output device to inform a user of the eyewear of output information,

wherein the at least one auxiliary sensor and the audio output device are each at least partially embedded in the supporting frame of the eyewear.

16. Eyewear as recited in claim 15,

wherein the supporting frame includes a front portion and at least one temple, the temple is movably coupled to the front portion of the supporting frame, and the switching device is positioned proximate to an end portion of the front portion of the frame, and

wherein the front section of the supporting frame includes one or more lens holders to hold one or more lenses, the one or more lenses permit a user whom wears the eyewear to view its physical environment through the one or more lenses.

17. An eyewear device comprising:

a frame configured to hold one or more optical elements, at least one temple connected to the frame at a joint such that the temple is movable relative to the frame

46

between a collapsed position and a wearable position, wherein with the temple in the wearable position, the eyewear device can be wearable by a user;

electronic components comprising at least a first electronic component internal to the frame and a second electronic component internal to the temple; and

a switching device that is provided proximate to the joint and that is configured to distinguish whether the temple is in the wearable position or in the collapsed position.

18. An eyewear device as recited in claim 17, wherein the switching device includes at least a first element on a first face of the temple, wherein the joint comprises a hinge assembly that is configured such that the first element is configured to contact a complementary surface or second element on the frame when the temple is in the wearable condition.

19. An eyewear device as recited in claim 17, wherein the first element or the second element includes at least a pin.

20. An eyewear device as recited in claim 17, wherein at least a portion of the switching device is covered at least in part by the temple when the temple is in a certain position relative to the frame.

* * * * *