



(12) **United States Patent**
Chao et al.

(10) **Patent No.:** **US 11,042,045 B2**
(45) **Date of Patent:** **Jun. 22, 2021**

(54) **ELECTRONIC EYEWEAR AND DISPLAY**

(71) Applicant: **IpVenture, Inc.**, San Jose, CA (US)

(72) Inventors: **David Chao**, Saratoga, CA (US);
Thomas A. Howell, San Jose, CA (US);
C. Douglass Thomas, Saratoga, CA (US);
Peter P. Tong, Mountain View, CA (US)

(73) Assignee: **IngenioSpec, LLC**, San Jose, CA (US)

(*) Notice: Subject to any disclaimer, the term of this patent is extended or adjusted under 35 U.S.C. 154(b) by 0 days.

(21) Appl. No.: **16/031,046**

(22) Filed: **Jul. 10, 2018**

(65) **Prior Publication Data**

US 2018/0314079 A1 Nov. 1, 2018

Related U.S. Application Data

(63) Continuation of application No. 14/211,491, filed on Mar. 14, 2014, now Pat. No. 10,042,186.

(60) Provisional application No. 61/868,676, filed on Aug. 22, 2013, provisional application No. 61/792,702, filed on Mar. 15, 2013.

(51) **Int. Cl.**
G02C 11/00 (2006.01)

(52) **U.S. Cl.**
CPC **G02C 11/10** (2013.01)

(58) **Field of Classification Search**
CPC G02C 11/10; G02B 27/0176; G02B 2027/0138; G02B 2027/0178; G02B 2027/0159; G02B 2027/0181; G02B 27/0179
USPC 351/158; 345/7-8; 348/207.1, 62, 64
See application file for complete search history.

(56) **References Cited**

U.S. PATENT DOCUMENTS

320,558 A 6/1885 Hull
1,255,265 A 2/1918 Zachara
1,917,745 A 7/1933 Weiss
2,249,572 A 7/1941 Lieber
(Continued)

FOREIGN PATENT DOCUMENTS

CA 2 487 391 12/2003
CN 88203065 11/1988
(Continued)

OTHER PUBLICATIONS

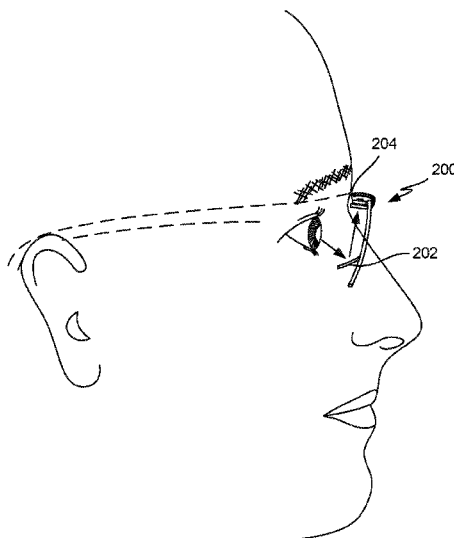
Office Action for U.S. Appl. No. 14/072,784, dated Jul. 27, 2015.
(Continued)

Primary Examiner — Wen Huang

(57) **ABSTRACT**

Novel eyewear apparatuses including a display are disclosed. In one embodiment, the apparatus also includes a frame. The frame includes a side region that includes an extendable arm. The first end of the extendable arm is attached to the frame and a second end of the extendable arm is attached to the display. The side region includes a cavity, where the extendable arm is adapted to retract back. The extendable arm is further adapted to extend out of the cavity and orient the display to be visually observable by a user of the eyewear apparatus. In another embodiment, the apparatus includes a concave reflective and an image source. The image source and the concave reflective surface are oriented to enable a user of the eyewear apparatus to view at least an image from the image source as reflected by the concave reflective surface.

35 Claims, 10 Drawing Sheets



(56)

References Cited

U.S. PATENT DOCUMENTS

2,638,532	A	5/1953	Brady	5,608,808	A	3/1997	da Silva
2,794,085	A	5/1957	De Angelis	5,634,201	A	5/1997	Mooring
2,818,511	A	12/1957	Ullery et al.	5,671,035	A	9/1997	Barnes
2,830,132	A	4/1958	Borg	5,686,727	A	11/1997	Reenstra et al.
2,874,230	A	2/1959	Carlson	5,694,475	A	12/1997	Boyden
2,904,670	A	9/1959	Calmes	5,715,323	A	2/1998	Walker
3,060,308	A	10/1962	Fortuna	5,737,436	A	4/1998	Boyden et al.
3,597,054	A	8/1971	Winter	5,818,381	A	10/1998	Williams
3,710,115	A	1/1973	Jubb	5,835,185	A	11/1998	Kallman et al.
3,858,001	A	12/1974	Bonne	5,900,720	A	5/1999	Kallman et al.
3,883,701	A	5/1975	Delorenzo	5,903,395	A	5/1999	Rallison et al.
4,165,487	A	8/1979	Corderman	5,923,398	A	7/1999	Goldman
4,254,451	A	3/1981	Cochran, Jr.	5,941,837	A	8/1999	Amano et al.
4,283,127	A	8/1981	Rosenwinkel et al.	5,946,071	A	8/1999	Feldman
4,322,585	A	3/1982	Liautaud	5,949,516	A	9/1999	McCurdy
4,348,664	A	9/1982	Boschetti et al.	5,966,746	A	10/1999	Reedy et al.
4,389,217	A	6/1983	Baughman et al.	5,980,037	A	11/1999	Conway
4,526,473	A	7/1985	Zahn, III	5,988,812	A	11/1999	Wingate
4,535,244	A	8/1985	Burnham	5,991,085	A	11/1999	Rallison et al.
4,608,492	A	8/1986	Burnham	5,992,996	A	11/1999	Sawyer
4,683,587	A	7/1987	Silverman	5,995,592	A	11/1999	Shirai et al.
4,751,691	A	6/1988	Perera	6,010,216	A	1/2000	Jesiek
4,757,714	A	7/1988	Purdy et al.	6,013,919	A	1/2000	Schneider et al.
4,773,095	A	9/1988	Zwicker et al.	6,028,627	A	2/2000	Helmsderfer
4,806,011	A	2/1989	Bettinger	6,046,455	A	4/2000	Ribi et al.
4,822,160	A	4/1989	Tsai	6,060,321	A	5/2000	Hovorka
4,822,161	A	4/1989	Jimmy	6,061,580	A	5/2000	Altschul et al.
4,851,686	A	7/1989	Pearson	6,091,546	A	7/2000	Spitzer
4,856,086	A	8/1989	McCullough	6,091,832	A	7/2000	Shurman et al.
4,859,047	A	8/1989	Badewitz	6,115,177	A	9/2000	Vossler
4,882,769	A	11/1989	Gallimore	6,132,681	A	10/2000	Faran et al.
4,904,078	A	2/1990	Gorike	6,145,983	A	11/2000	Schiffer
4,942,629	A	7/1990	Stadlmann	6,154,552	A	11/2000	Koroljow et al.
4,962,469	A	10/1990	Ono et al.	6,176,576	B1	1/2001	Green et al.
4,967,268	A	10/1990	Lipton et al.	669,949	A1	3/2001	Underwood
4,985,632	A	1/1991	Bianco et al.	6,225,897	B1	5/2001	Doyle et al.
5,008,548	A	4/1991	Gat	6,231,181	B1	5/2001	Swab
5,015,086	A	5/1991	Okaue et al.	6,236,969	B1	5/2001	Ruppert et al.
5,020,150	A	5/1991	Shannon	6,243,578	B1	6/2001	Koike
5,026,151	A	6/1991	Waltuck et al.	6,259,367	B1	7/2001	Klein
5,036,311	A	7/1991	Moran et al.	6,270,466	B1	8/2001	Weinstein et al.
5,050,150	A	9/1991	Ikeda	6,292,213	B1	9/2001	Jones
5,064,410	A	11/1991	Frenkel et al.	6,292,685	B1	9/2001	Pompei
5,093,576	A	3/1992	Edmond et al.	6,301,367	B1	10/2001	Boyden et al.
5,106,179	A	4/1992	Kamaya et al.	6,307,526	B1	10/2001	Mann
5,148,023	A	9/1992	Hayashi et al.	6,343,858	B1	2/2002	Zelman
5,151,600	A	9/1992	Black	6,349,001	B1	2/2002	Spitzer
5,161,250	A	11/1992	Ianna et al.	6,349,422	B1	2/2002	Schleger et al.
5,172,256	A	12/1992	Sethofer et al.	6,409,335	B1	6/2002	Lipawsky
5,264,877	A	11/1993	Hussey	6,409,338	B1	6/2002	Jewell
5,306,917	A	4/1994	Black et al.	6,426,719	B1	7/2002	Nagareda et al.
5,353,378	A	10/1994	Hoffman et al.	6,431,705	B1	8/2002	Linden
5,359,370	A	10/1994	Mugnier	6,474,816	B2	11/2002	Butler et al.
5,359,444	A	10/1994	Piosenka et al.	6,478,736	B1	11/2002	Mault
5,367,345	A	11/1994	da Silva	6,506,142	B2	1/2003	Itoh et al.
5,379,464	A	1/1995	Schleger et al.	6,511,175	B2	1/2003	Hay et al.
5,382,986	A	1/1995	Black et al.	6,513,532	B2	2/2003	Mault et al.
5,394,005	A	2/1995	Brown et al.	6,517,203	B1	2/2003	Blum et al.
5,452,026	A	9/1995	Marcy, III	6,539,336	B1	3/2003	Vock et al.
5,452,480	A	9/1995	Ryden	6,542,081	B2	4/2003	Torch
5,455,637	A	10/1995	Kallman et al.	6,546,101	B1	4/2003	Murray et al.
5,455,640	A	10/1995	Gertsikov	6,554,763	B1	4/2003	Amano et al.
5,457,751	A	10/1995	Such	6,582,075	B1	6/2003	Swab et al.
5,463,428	A	10/1995	Lipton et al.	6,619,799	B1	9/2003	Blum et al.
5,500,532	A	3/1996	Kozicki	6,629,076	B1	9/2003	Haken
D369,167	S	4/1996	Hanson et al.	6,729,726	B2	5/2004	Miller et al.
5,510,961	A	4/1996	Peng	6,736,759	B1	5/2004	Stubbs et al.
5,513,384	A	4/1996	Brennan et al.	6,764,194	B1	7/2004	Cooper
5,533,130	A	7/1996	Staton	6,769,767	B2	8/2004	Swab et al.
5,541,641	A	7/1996	Shimada	6,788,309	B1	9/2004	Swan et al.
5,581,090	A	12/1996	Goudjil	6,792,401	B1	9/2004	Nigro et al.
5,585,871	A	12/1996	Linden	6,816,314	B2*	11/2004	Shimizu G02B 27/0172
5,589,398	A	12/1996	Krause et al.	6,824,265	B1	11/2004	Harper
5,590,417	A	12/1996	Rydbeck	6,857,741	B2	2/2005	Blum et al.
5,606,743	A	2/1997	Vogt et al.	6,871,951	B2	3/2005	Blum et al.
				6,879,930	B2	4/2005	Sinclair et al.
				6,912,386	B1	6/2005	Himberg et al.
				6,929,365	B2	8/2005	Swab et al.

345/7

(56)

References Cited

U.S. PATENT DOCUMENTS

6,932,090	B1	8/2005	Reschke et al.	2002/0021407	A1	2/2002	Elliott
6,947,219	B1	9/2005	Ou	2002/0081982	A1	6/2002	Schwartz et al.
7,004,582	B2	2/2006	Jannard et al.	2002/0084990	A1	7/2002	Peterson, III
7,013,009	B2	3/2006	Warren	2002/0089639	A1	7/2002	Starner et al.
7,023,594	B2	4/2006	Blum et al.	2002/0090103	A1	7/2002	Calisto, Jr.
7,030,902	B2	4/2006	Jacobs	2002/0098877	A1	7/2002	Glezerman
7,031,667	B2	4/2006	Horiguchi	2002/0101568	A1	8/2002	Eberl et al.
7,033,025	B2	4/2006	Winterbotham	2002/0109600	A1	8/2002	Mault et al.
7,059,717	B2	6/2006	Bloch	2002/0140899	A1	10/2002	Blum et al.
7,073,905	B2	7/2006	Da Pra'	2002/0159023	A1	10/2002	Swab
7,079,876	B2	7/2006	Levy	2002/0197961	A1	12/2002	Warren
7,123,215	B2	10/2006	Nakada	2003/0018274	A1	1/2003	Takahashi et al.
7,192,136	B2	3/2007	Howell et al.	2003/0022690	A1	1/2003	Beyda et al.
7,255,437	B2	8/2007	Howell et al.	2003/0032449	A1	2/2003	Giobbi
7,265,358	B2	9/2007	Fontaine	2003/0062046	A1	4/2003	Wiesmann et al.
7,274,292	B2	9/2007	Velhal et al.	2003/0065257	A1	4/2003	Mault et al.
7,289,767	B2	10/2007	Lai	2003/0067585	A1	4/2003	Miller et al.
7,312,699	B2	12/2007	Chornenky	2003/0068057	A1	4/2003	Miller et al.
7,331,666	B2	2/2008	Swab et al.	2003/0083591	A1	5/2003	Edwards et al.
7,376,238	B1	5/2008	Rivas et al.	2003/0214630	A1	11/2003	Winterbotham
7,380,936	B2	6/2008	Howell et al.	2003/0226978	A1	12/2003	Ribi et al.
7,401,918	B2	7/2008	Howell et al.	2003/0231293	A1	12/2003	Blum et al.
7,405,801	B2	7/2008	Jacobs	2004/0000733	A1	1/2004	Swab et al.
7,429,965	B2	9/2008	Weiner	2004/0029582	A1	2/2004	Swab et al.
7,438,409	B2	10/2008	Jordan	2004/0059212	A1	3/2004	Abreu
7,438,410	B1	10/2008	Howell et al.	2004/0063378	A1	4/2004	Nelson
7,445,332	B2	11/2008	Jannard et al.	2004/0096078	A1	5/2004	Lin
7,481,531	B2	1/2009	Howell et al.	2004/0100384	A1	5/2004	Chen et al.
7,500,746	B1	3/2009	Howell et al.	2004/0101178	A1	5/2004	Fedorovskaya et al.
7,500,747	B2	3/2009	Howell et al.	2004/0128737	A1	7/2004	Gesten
7,512,414	B2	3/2009	Jannard et al.	2004/0150986	A1	8/2004	Chang
7,517,083	B2	4/2009	Blum et al.	2004/0156012	A1	8/2004	Jannard et al.
7,527,374	B2	5/2009	Chou	2004/0157649	A1	8/2004	Jannard et al.
7,543,934	B2	6/2009	Howell et al.	2004/0160571	A1	8/2004	Jannard
7,581,833	B2	9/2009	Howell et al.	2004/0160572	A1	8/2004	Jannard
7,621,634	B2	11/2009	Howell et al.	2004/0160573	A1	8/2004	Jannard et al.
7,648,236	B1	1/2010	Dobson	2004/0197002	A1	10/2004	Atsumi et al.
7,677,723	B2	3/2010	Howell et al.	2004/0227219	A1	11/2004	Su
7,760,898	B2	7/2010	Howell et al.	2005/0067580	A1	3/2005	Fontaine
7,771,046	B2	8/2010	Howell et al.	2005/0078274	A1	4/2005	Howell et al.
7,792,552	B2	9/2010	Thomas et al.	2005/0088365	A1	4/2005	Yamazaki et al.
7,806,525	B2	10/2010	Howell et al.	2005/0201585	A1	9/2005	Jannard et al.
7,922,321	B2	4/2011	Howell et al.	2005/0213026	A1	9/2005	Da Pra'
7,976,159	B2	7/2011	Jacobs et al.	2005/0230596	A1	10/2005	Howell et al.
8,109,629	B2	2/2012	Howell et al.	2005/0238194	A1	10/2005	Chornenky
8,142,015	B2	3/2012	Paolino	2005/0239502	A1	10/2005	Swab et al.
8,174,569	B2	5/2012	Tanijiri et al.	2005/0248717	A1	11/2005	Howell et al.
8,337,013	B2	12/2012	Howell et al.	2005/0248718	A1	11/2005	Howell et al.
8,430,507	B2	4/2013	Howell et al.	2005/0248719	A1	11/2005	Howell et al.
8,434,863	B2	5/2013	Howell et al.	2005/0264752	A1	12/2005	Howell et al.
8,465,151	B2	6/2013	Howell et al.	2006/0001827	A1	1/2006	Howell et al.
8,485,661	B2	7/2013	Yoo et al.	2006/0003803	A1	1/2006	Thomas et al.
8,500,271	B2	8/2013	Howell et al.	2006/0023158	A1	2/2006	Howell et al.
8,770,742	B2	7/2014	Howell et al.	2006/0034478	A1	2/2006	Davenport
8,905,542	B2	12/2014	Howell et al.	2006/0107822	A1	5/2006	Bowen
9,033,493	B2	5/2015	Howell et al.	2006/0132382	A1	6/2006	Jannard
9,244,292	B2	1/2016	Swab et al.	2007/0030442	A1	2/2007	Howell et al.
9,400,390	B2	7/2016	Osterhout et al.	2007/0035830	A1	2/2007	Matveev et al.
9,405,135	B2	8/2016	Sweis et al.	2007/0046887	A1	3/2007	Howell et al.
9,488,520	B2	11/2016	Howell et al.	2007/0055888	A1	3/2007	Miller et al.
9,547,184	B2	1/2017	Howell et al.	2007/0098192	A1	5/2007	Sipkema
9,690,121	B2	6/2017	Howell et al.	2007/0109491	A1	5/2007	Howell et al.
10,042,186	B2	8/2018	Chao et al.	2007/0186330	A1	8/2007	Howell et al.
10,060,790	B2	8/2018	Howell et al.	2007/0200927	A1	8/2007	Krenik
10,061,144	B2	8/2018	Howell et al.	2007/0208531	A1	9/2007	Darley et al.
10,310,296	B2	6/2019	Howell et al.	2007/0270663	A1	11/2007	Ng et al.
10,345,625	B2	7/2019	Howell et al.	2007/0271065	A1	11/2007	Gupta et al.
10,359,311	B2	7/2019	Howell et al.	2007/0271116	A1	11/2007	Wysocki et al.
10,359,459	B1	7/2019	Gorin	2007/0271387	A1	11/2007	Lydon et al.
10,624,790	B2	4/2020	Chao et al.	2007/0279584	A1	12/2007	Howell et al.
10,777,048	B2	9/2020	Howell et al.	2008/0062338	A1	3/2008	Herzog et al.
2001/0005230	A1	6/2001	Ishikawa	2008/0068559	A1	3/2008	Howell et al.
2001/0028309	A1	10/2001	Torch	2008/0100792	A1	5/2008	Blum et al.
2001/0050754	A1	12/2001	Hay et al.	2008/0144854	A1	6/2008	Abreu
2002/0017997	A1	2/2002	Felkowitz	2008/0151175	A1	6/2008	Gross
				2008/0151179	A1	6/2008	Howell et al.
				2008/0158506	A1	7/2008	Fuziak
				2008/0218684	A1	9/2008	Howell et al.
				2008/0262392	A1	10/2008	Ananny et al.

(56)

References Cited

U.S. PATENT DOCUMENTS

2008/0278678	A1	11/2008	Howell et al.	
2009/0059159	A1	3/2009	Howell et al.	
2009/0059381	A1*	3/2009	Jannard	H04N 9/3173 359/630
2009/0073375	A1	3/2009	Nakada	
2009/0141233	A1	6/2009	Howell et al.	
2009/0147215	A1	6/2009	Howell et al.	
2009/0156128	A1	6/2009	Franson et al.	
2009/0251660	A1	10/2009	Figler et al.	
2009/0251661	A1	10/2009	Fuziak, Jr.	
2009/0296044	A1	12/2009	Howell et al.	
2010/0061579	A1	3/2010	Rickards et al.	
2010/0079356	A1	4/2010	Hoellwarth	
2010/0110368	A1	5/2010	Chaum	
2010/0245754	A1	9/2010	Matsumoto et al.	
2010/0296045	A1	11/2010	Agnoli et al.	
2010/0309426	A1	12/2010	Howell et al.	
2011/0102734	A1	5/2011	Howell et al.	
2011/0164122	A1	7/2011	Hardacker	
2011/0187990	A1	8/2011	Howell et al.	
2011/0241976	A1	10/2011	Boger et al.	
2011/0273365	A1	11/2011	West et al.	
2012/0033061	A1	2/2012	Ko et al.	
2012/0050668	A1	3/2012	Howell et al.	
2012/0133885	A1	3/2012	Howell et al.	
2012/0176580	A1	7/2012	Sonsino	
2013/0072828	A1	3/2013	Sweis et al.	
2013/0077175	A1*	3/2013	Hotta	G02B 3/08 359/630
2013/0143519	A1	6/2013	Doezema	
2013/0201440	A1	8/2013	Howell et al.	
2013/0308089	A1	11/2013	Howell et al.	
2014/0132913	A1	5/2014	Sweis et al.	
2014/0176902	A1	6/2014	Sweis et al.	
2014/0198293	A1	7/2014	Sweis et al.	
2014/0268008	A1	9/2014	Howell et al.	
2014/0268013	A1	9/2014	Howell et al.	
2014/0268017	A1	9/2014	Sweis et al.	
2014/0361185	A1	12/2014	Howell et al.	
2015/0085245	A1	3/2015	Howell et al.	
2015/0230988	A1	8/2015	Chao et al.	
2015/0253590	A1	9/2015	Howell et al.	
2016/0246075	A9	8/2016	Howell et al.	
2016/0302992	A1	10/2016	Sweis et al.	
2017/0068117	A9	3/2017	Howell et al.	
2017/0074721	A1	3/2017	Howell et al.	
2017/0090219	A1	3/2017	Howell et al.	
2017/0131575	A1	5/2017	Howell et al.	
2017/0146829	A1	5/2017	Howell et al.	
2017/0303187	A1	10/2017	Crouthamel et al.	
2018/0335650	A1	11/2018	Howell et al.	
2018/0348050	A1	12/2018	Howell et al.	
2019/0033623	A1	1/2019	Howell et al.	
2019/0187492	A1	6/2019	Howell et al.	
2019/0272800	A1	9/2019	Tao et al.	
2019/0278110	A1	9/2019	Howell et al.	
2019/0285913	A1	9/2019	Howell et al.	
2019/0310132	A1	10/2019	Howell et al.	
2019/0318589	A1	10/2019	Howell et al.	
2019/0387351	A1	12/2019	Lyren et al.	
2020/0012127	A1	1/2020	Howell et al.	
2020/0218094	A1	7/2020	Howell et al.	
2020/0364992	A1	11/2020	Howell et al.	

FOREIGN PATENT DOCUMENTS

CN	89214222.7	3/1990
CN	90208199.3	11/1990
DE	10123226	A1 11/2002
EP	1134491	A2 9/2001
FR	2530039	A1 1/1984
GB	1467982	3/1977
JP	58-113912	7/1983
JP	58-113914	7/1983

JP	02-181722	7/1990
JP	09-017204	1/1997
JP	10-161072	7/1998
JP	2000-039595	2/2000
JP	2002 341059	A 11/2002
JP	2005-151292	6/2005
TW	484711	6/2001
WO	WO 97/12205	A1 4/1997
WO	WO 99/50706	A1 10/1999
WO	WO 01/06298	A1 1/2001
WO	WO 02/06881	A2 1/2002
WO	WO 03/069394	A1 8/2003
WO	WO 03/100368	A1 12/2003
WO	WO 03/100503	A2 12/2003
WO	WO 04/012477	A2 2/2004
WO	WO 04/025554	A1 3/2004
WO	WO 10/0141514	A2 12/2010

OTHER PUBLICATIONS

Office Action for U.S. Appl. No. 14/072,784, dated Oct. 29, 2015.
 Notice of Allowance for U.S. Appl. No. 14/072,784, dated Jan. 14, 2016.
 Notice of Allowance for U.S. Appl. No. 14/072,784, dated Apr. 7, 2016.
 Office Action for U.S. Appl. No. 15/193,155, dated Sep. 26, 2016.
 Office Action for U.S. Appl. No. 15/193,155, dated Jun. 8, 2017.
 Office Action for U.S. Appl. No. 14/190,352, dated Oct. 26, 2016.
 Office Action for U.S. Appl. No. 14/190,352, dated May 4, 2017.
 Office Action for U.S. Appl. No. 14/703,875, dated Oct. 5, 2016.
 Office Action for U.S. Appl. No. 14/703,875, dated May 17, 2017.
 Office Action for U.S. Appl. No. 14/703,875, dated Apr. 12, 2018.
 Restriction Requirement for U.S. Appl. No. 14/217,174, dated Mar. 28, 2016.
 Office Action for U.S. Appl. No. 14/217,174, dated Jul. 28, 2016.
 Office Action for U.S. Appl. No. 14/217,174, dated Feb. 10, 2017.
 Restriction Requirement for U.S. Appl. No. 14/211,491, dated Jul. 16, 2015.
 Office Action for U.S. Appl. No. 14/211,491, dated Oct. 19, 2015.
 Office Action for U.S. Appl. No. 14/211,491, dated Feb. 23, 2016.
 Notice of Allowance for U.S. Appl. No. 14/211,491, dated Nov. 9, 2016.
 Notice of Allowance for U.S. Appl. No. 14/211,491, dated May 26, 2017.
 Office Action for U.S. Appl. No. 14/211,491, dated Oct. 11, 2017.
 Notice of Allowance for U.S. Appl. No. 14/211,491, dated Apr. 9, 2018.
 "±1.5g Dual Axis Micromachined Accelerometer", Freescale Semiconductor, Inc., Motorola Semiconductor Technical Data, MMA6260Q, Jun. 2004, pp. 1-7.
 "APA Announces Shipment of the SunUV™ Personal UV Monitor", Press Release, Nov. 7, 2003, pp. 1-3.
 "Camera Specs Take Candid Snaps", BBC News, Sep. 18, 2003, pp. 1-3.
 "Cardo Wireless Attaching Clips and Wearing Headset", Cardo Systems, Inc., <http://www.cardowireless.com/clips.php>, downloaded Nov. 27, 2004, pp. 1-3.
 "Environmental Health Criteria 14: Ultraviolet Radiation", International Programme on Chemical Safety, World Health Organization Geneva, 1979 <http://www.ichem.org>, pp. 1-102.
 "Exclusive Media Event Marks Debut of Oakley Thump: World's First Digital Audio Eyewear", Oakley Investor Relations, Press Release, Nov. 15, 2004, pp. 1-2.
 "Eyetop", Product-Features, eyetop eyewear, eyetop belt worn, <http://www.eyetop.net/products/eyetop/features.asp>, downloaded Nov. 6, 2003, pp. 1-2.
 "Heart Rate Monitors", <http://www.healthgoods.com>, downloaded Dec. 4, 2004.
 "How is the UV Index Calculated", SunWise Program, U.S. Environmental Protection Agency, <http://www.epa.gov/sunwise/uvcalc.html>, downloaded Oct. 14, 2004, pp. 1-2.
 "Industrial UV Measurements", APA Optics, Inc., <http://www.apaoptics.com/uv/>, downloaded Jul. 12, 2004, p. 1.

(56)

References Cited

OTHER PUBLICATIONS

- "Motorola and Oakley Introduce First Bluetooth Sunglasses-Cutting Edge RAZRWire Line Offers Consumers On-The-Go Connections", Motorola Mediacenter-Press Release, Feb. 14, 2005, pp. 1-2.
- "Oakley Thump: Sunglasses Meet MP3 Player", with image, <http://news.designtechnica.com/article4665.html>, Jul. 13, 2004.
- "Personal UV monitor," Optics.org, <http://optics.org/articles/news/6/6/7/1> (downloaded Dec. 20, 2003), Jun. 9, 2000, pp. 1-2.
- "SafeSun Personal Ultraviolet Light Meter", <http://healthchecksystems.com/safesun.htm>, downloaded Jul. 12, 2004, pp. 1-4.
- "SafeSun Personal UV Meter", Introduction, Optix Tech Inc., <http://www.safesun.com>, downloaded Feb. 5, 2004, pp. 1-2.
- SafeSun Personal UV Meter, features, Optix Tech Inc., <http://www.safesun.com/features.html>, downloaded May 1, 2004, pp. 1-2.
- "Sharper Image—The FM Pedometer", e-Corporate Gifts.com, <http://www.e-corporategifts.com/sr353.html>, downloaded Jan. 22, 2005, pp. 1-2.
- "Sun UV™ Personal UV Monitor", APA Optics, Inc., <http://www.apaoptics.com/sunuv/uvfacts.html>, downloaded Dec. 20, 2003, pp. 1-3.
- "Ultraviolet Light and Sunglasses", Oberon's Frequently Asked Questions, <http://www.oberoncompany.com/OBEnglish/FAQUV.html>, downloaded Feb. 5, 2004, pp. 1-2.
- "Ultraviolet Light Sensor", Barrett & Associates Engineering, http://www.barrettengineering.com/project_uv.htm, downloaded Feb. 5, 2004, pp. 1-3.
- "Ultraviolet Radiation (UVR)", Forum North, Ontario Ministry of Labour, <http://www3.mb.sympatico.ca/~eric/ULTRAVIOLET%20RADIATION.htm>, downloaded Feb. 5, 2004, pp. 1-6.
- "What Are Gripples?", Gripping Eyewear, Inc., <http://www.grippingeyewear.com/whatare.html>, downloaded Nov. 2, 2005.
- "With Racing Heart", Skaloud et al., GPS World, Oct. 1, 2001, <http://www.gpsworld.com/gpsworld/content/printContentPopup.jsp?id=1805>, pp. 1-5.
- Abrisa Product Information: Cold Mirrors, Abrisa, Jun. 2001, p. 1.
- Abrisa Product Information: Commercial Hot Mirror, Abrisa, Jun. 2001, p. 1.
- Alps Spectacle, Air Conduction Glass, Bone Conduction Glass, <http://www.alps-inter.com/spec.htm>, downloaded Dec. 10, 2003, pp. 1-2.
- Altimeter and Compass Watches, <http://store.yahoo.com/snowshack/altimeter-watches.html>, downloaded May 3, 2004, pp. 1-2.
- Pediatric Eye Disease Group, "Randomized Trial of Treatment of Amblyopia in Children Aged 7 to 17 Years," Roy W. Beck, M.D., Ph.D. Section Ed., Originally Published and Reprinted from Arch Ophthalmol, v. 123, Apr. 2005, pp. 437-447, <http://archophth.jamanetwork.com/> by a new England College of Optometry User on Dec. 20, 2012.
- Bone Conduction Headgear HG16 Series, "Voiceducer," <http://www.temco-j.co.jp/html/English/HG16.html>, downloaded Dec. 10, 2003, pp. 1-3.
- Carnoy, David, "The Ultimate MP3 Player for Athletes? Could be.", CNET Reviews, May 14, 2004, pp. 1-4.
- Clifford, Michelle A., "Accelerometers Jump into the Consumer Goods Market", Sensors Online, <http://www.sensorsmag.com>, Aug. 2004.
- Comfees.com, Adjustable Sports Band Style No. 1243, <http://shop.store.yahoo.com/comfees/adsportbansty.html>, downloaded Apr. 18, 2003, pp. 1-2.
- Cool Last Minute Gift Ideas!, UltimateFatBurner Reviews and Articles, <http://www.ultimatefatburner.com/gift-ideas.html>, downloaded May 10, 2005, pp. 1-3.
- Dickie et al. "Eye Contact Sensing Glasses for Attention-Sensitive Wearable Video Blogging," Human Media Lab, Queen's University, Kingston, ON K7L 3N6, Canada, est. Apr. 2004, pp. 1-2.
- Dixen, Brian, "ear-catching", Supertesten, Mobil, Apr. 2003 (estimated), pp. 37-41.
- Global Solar UV Index, A Practical Guide, World Health Organization, 2002, pp. 1-28.
- Grobart, Sam, "Digit-Sizing Your Computer Data", News Article, Sep. 2004, p. 1.
- Holmes, JM et al. "A randomized trial of prescribed patching regimens for treatment of severe amblyopia in children." Ophthalmology, v. 110, Iss.11, Nov. 2003, pp. 2075-2087.
- Life Monitor V1.1, Rhusoft Technologies Inc., <http://www.rhusoft.com/lifemonitor/>, Mar. 1, 2003, pp. 1-6.
- Manes, Stephen, "Xtreme Cam", Forbes Magazine, Sep. 5, 2005, p. 96.
- Mio, PhysiCal, <http://www.gophysical.com/>, downloaded Jan. 27, 2004, 5 pages.
- Monitoring Athletes Performance-2002 Winter Olympic News from KSL, Jan. 23, 2002, <http://2002.ksl.com/news-3885i>, pp. 1-3.
- NIWA, "UV Index Information", <http://www.niwa.cri.nz/services/uvzone/uvi-info>, downloaded Jul. 15, 2004, pp. 1-2.
- NuVision 60GX Steroscopic Wireless Glasses, Product Information, NuVision by MacNaughton, c. 1997, MacNaughton, Inc., pp. 1-2.
- Pärkkä, Juha, et al., "A Wireless Wellness Monitor for Personal Weight Management", VTT Information Technology, Tampere, Finland, Nov. 2000, p. 1.
- Pedometer, Model HJ-112, Omron Instruction Manual, Omron Healthcare, Inc., 2003, pp. 1-27.
- PNY Announces Executive Attaché USB 2.0 Flash Drive and Pen Series, Press Release, PNY Technologies, Las Vegas, Jan. 8, 2004, pp. 1-2.
- PNY Technologies, "Executive Attaché" <http://www.pny.com/products/flash/execattache.asp> downloaded Nov. 16, 2005.
- Polar WM41 and 42 weight management monitor, http://www.simplysports/polar/weight_management/wm41-42.htm, downloaded Jan. 28, 2004, pp. 1-3.
- Questions Answers, Pedometer.com, <http://www.pedometer.com>, downloaded May 5, 2005.
- RazrWire, copyright Motorola, Inc., Jul. 2005, 1 page.
- Repka MX et al. "A randomized trial of patching regimens for treatment of moderate amblyopia in children." Arch Ophthalmology v. 121, No. 5, May 2003, pp. 603-611.
- SafeSun Personal UV Meter, Scientific Data, Optix Tech Inc., <http://www.safesun.com/scientific.html>, downloaded May 1, 2004, pp. 1-3.
- SafeSun Sensor, User's Manual, Optix Tech Inc., Jun. 1998, 2 pages.
- SafeSun, Personal UV Meter, "Technical Specifications", Optix Tech Inc., <http://www.safesun.com/technical.html>, downloaded Jul. 12, 2004, pp. 1-2.
- SafeSun, Personal UV Meter, Experiments, Optix Tech Inc., <http://www.safesun.com/experiments.html>, downloaded Feb. 5, 2004, pp. 1-2.
- Shades of Fun, Blinking Light Glasses, <http://www.shadesoffun.com/Nov/Novpgs-14.html> downloaded Jul. 9, 2005, pp. 1-4.
- SportLine Fitness Pedometer-Model 360, UltimateFatBurner Superstore, http://www.ultimatefatburner-store.com/ac_004.html, downloaded May 10, 2005, pp. 1-2.
- Steele, Bonnie G. et al., "Bodies in motion: Monitoring daily activity and exercise with motion sensors in people with chronic pulmonary disease", VA Research & Development, Journal of Rehabilitation Research & Development, vol. 40, No. 5, Sep./Oct. 2003, Supplement 2, pp. 45-58.
- Stevens, Kathy, "Should I Use a Pedometer When I Walk?", Healthon/WebMD, Apr. 14, 2000.
- Sundgot, Jørgen "2nd-gen Motorola Bluetooth headset", InfoSync World, Mar. 1, 2003, <http://www.infosync.no/news/2002/n/2841.html>, pp. 1-2.
- SunSensors, Segan Industries, Inc., <http://www.segan-ind.com/sunsensor.htm>, downloaded Feb. 5, 2004, pp. 1-3.
- SunUV™, Personal UV Monitor User's Guide, APA Optics, Inc., 2003 pp. 1-52.
- SunUV™, Personal UV Monitor, APA Optics, Inc., <http://www.apaoptics.com/sunuv/models.html>, downloaded Dec. 20, 2003.
- Talking Pedometer, Sportline, Inc., Jun. 2001 (Possibly earlier), 1 page.
- The unofficial ELSA 3D Revelator page, Dec. 30, 1999, pp. 1-15.

(56)

References Cited

OTHER PUBLICATIONS

Top Silicon PIN Photodiode, PD93-21C, Technical Data Sheet, Everlight Electronics Co., Ltd., 2004, pp. 1-9.
UV Light Meter, UVA and UVB measurement, UV-340, Instruction Manual, Lutron, Jun. 2003 (estimated), pp. 1-5.
UV-Smart, UVA/B Monitor, Model EC-960-PW, Instruction Manual, Tanita Corporation of America, Inc., downloaded Nov. 16, 2001.
Vitaminder Personal Carb Counter, <http://www.auravita.com/products/AURA/ORBU11420.asp>. Downloaded Nov. 15, 2005, pp. 1-4.
Wallace DK et al. "A randomized trial to evaluate 2 hours of daily patching for strabismic and anisometropic amblyopia in children." *Ophthalmology* v. 113, No. 6, Jun. 2006, pp. 904-912.
Yamada et al. "Development of an eye-movement analyser possessing functions for wireless transmission and autocalibration." *Med. Biol. Eng. Comput.*, No. 28, v.4, Jul. 28, 1990, <http://link.springer.com/article/10.1007%2F02446149?LI=true>, pp. 1-2.
Office Action for U.S. Appl. No. 14/703,875, dated Oct. 2, 2018.
Office Action for U.S. Appl. No. 14/703,875, dated Mar. 15, 2019.
Office Action for U.S. Appl. No. 14/703,875, dated Jul. 26, 2019.
Advisory Action for U.S. Appl. No. 14/703,875, dated Sep. 27, 2019.
Notice of Allowance for U.S. Appl. No. 14/703,875, dated Jan. 13, 2020.
Notice of Allowance for U.S. Appl. No. 16/382,036, dated Feb. 24, 2020.
Notice of Allowance for U.S. Appl. No. 16/382,036, dated May 18, 2020.

* cited by examiner

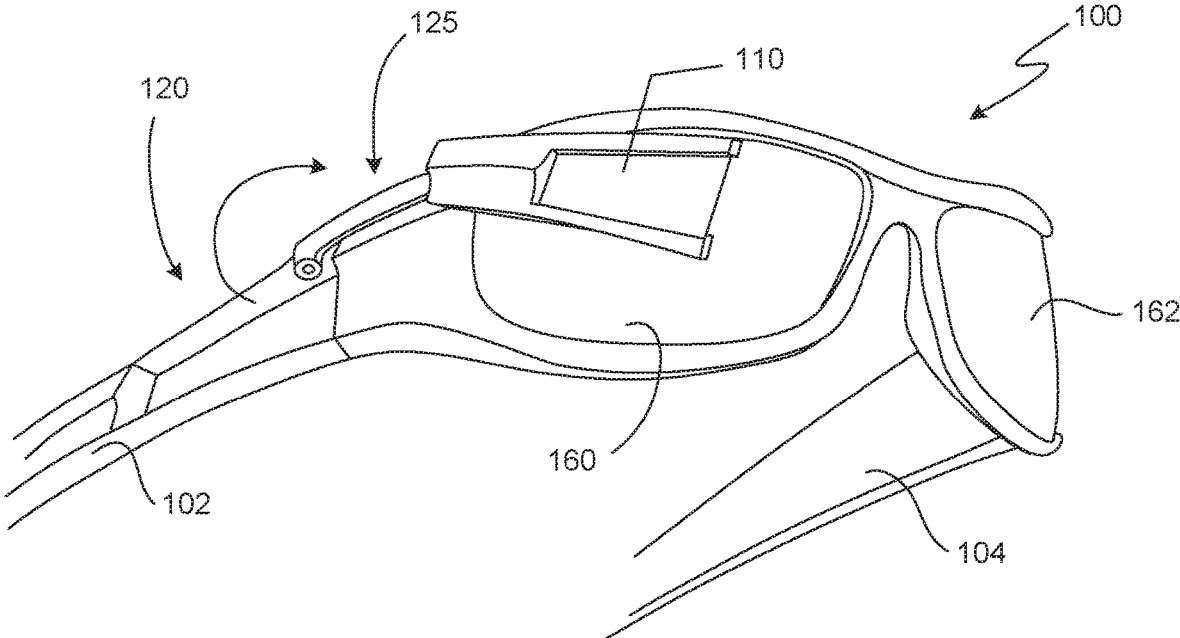


FIG. 1

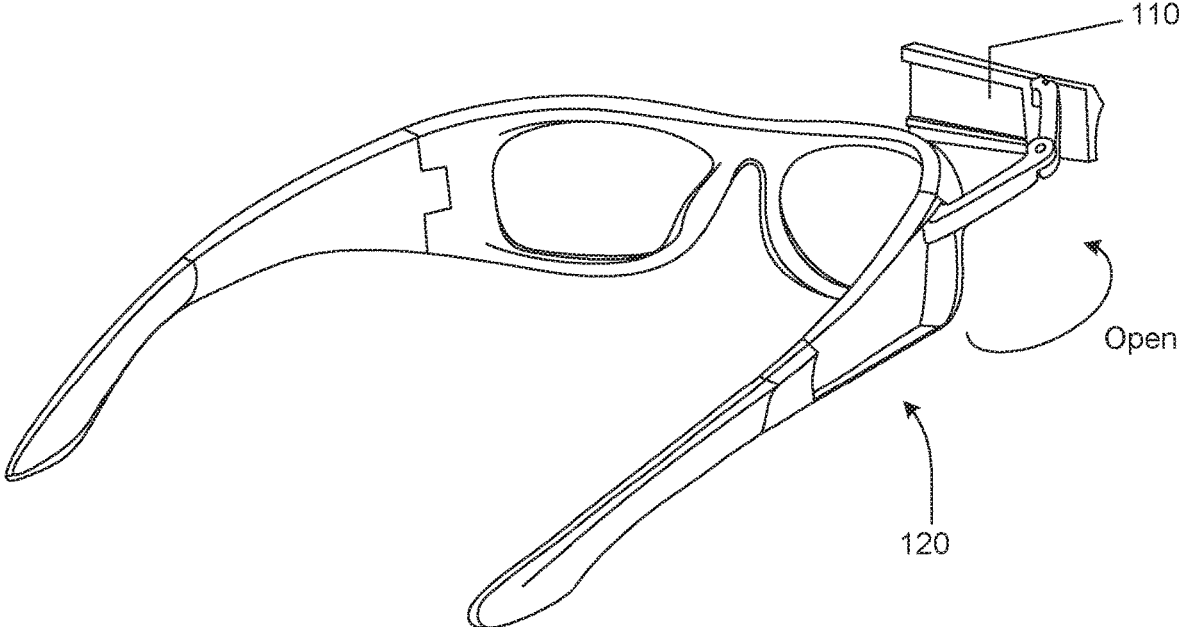


FIG. 2

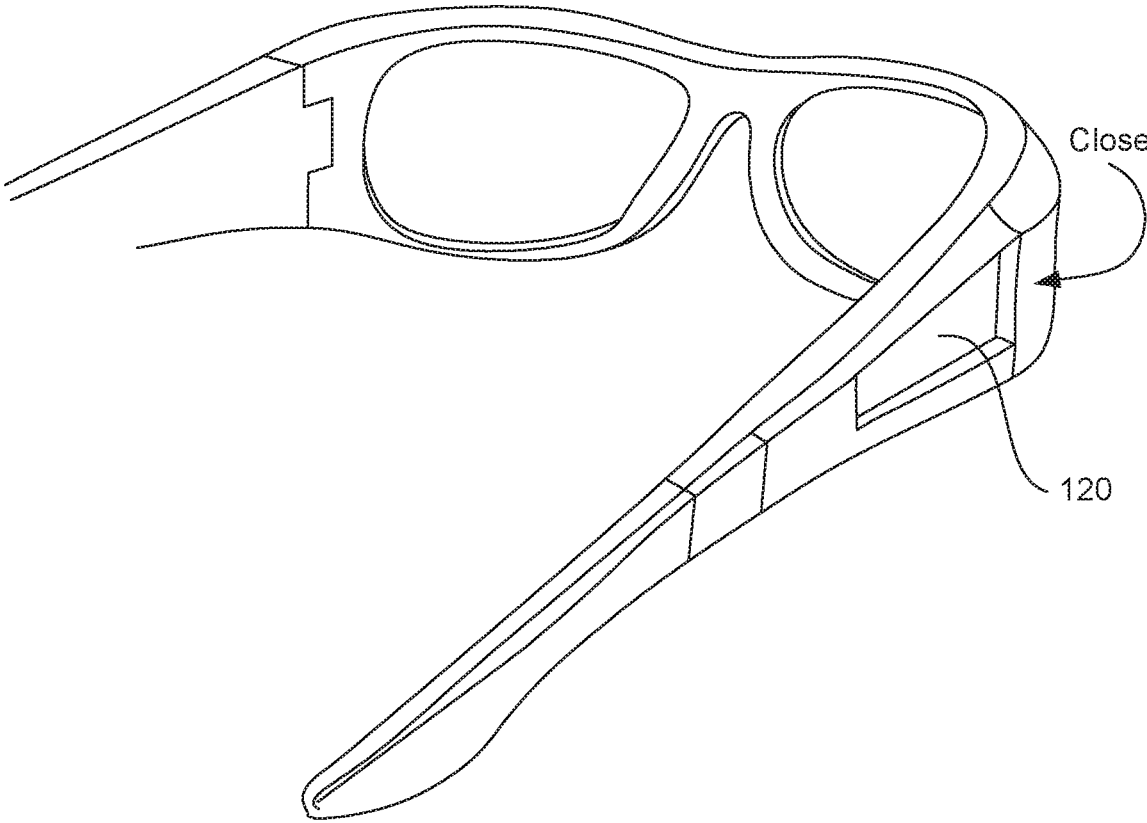


FIG. 3

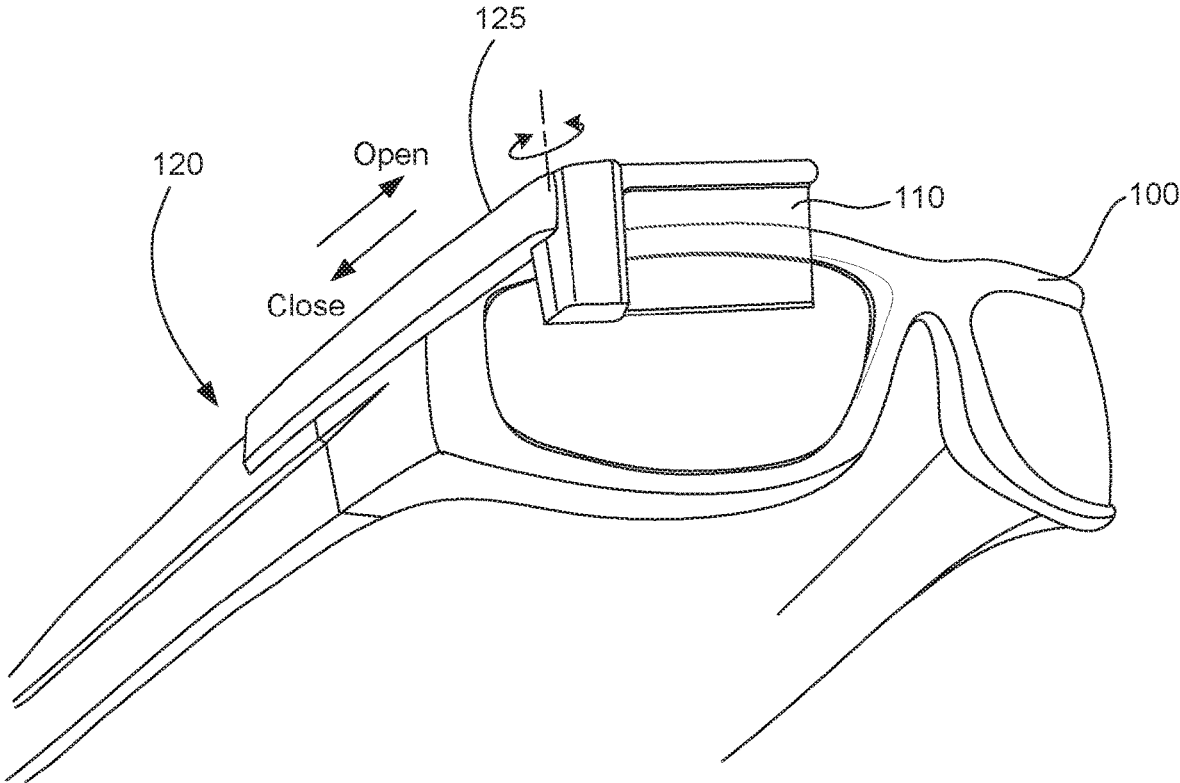


FIG. 4

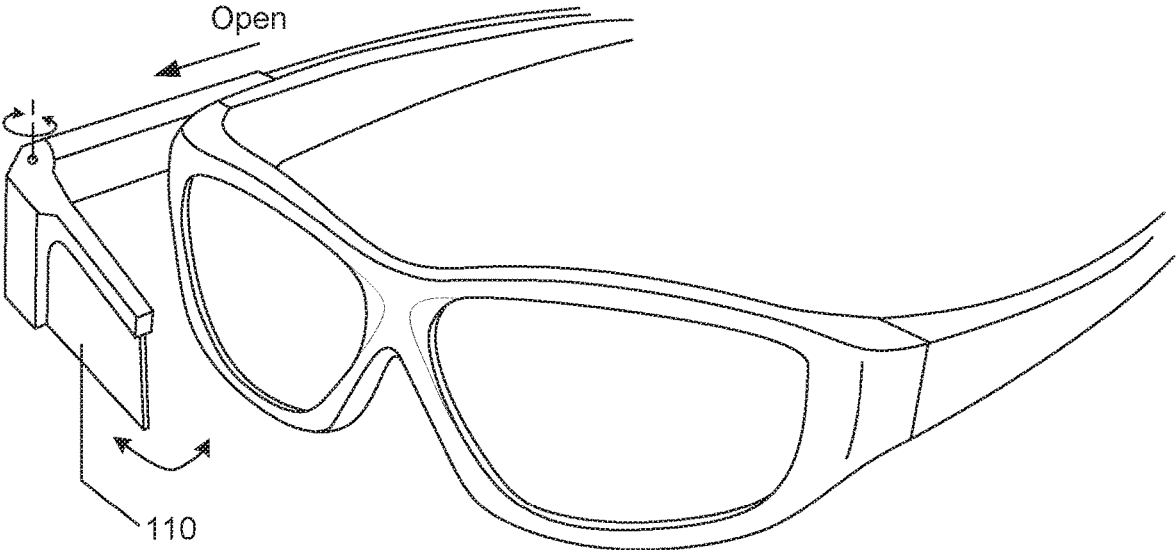


FIG. 5

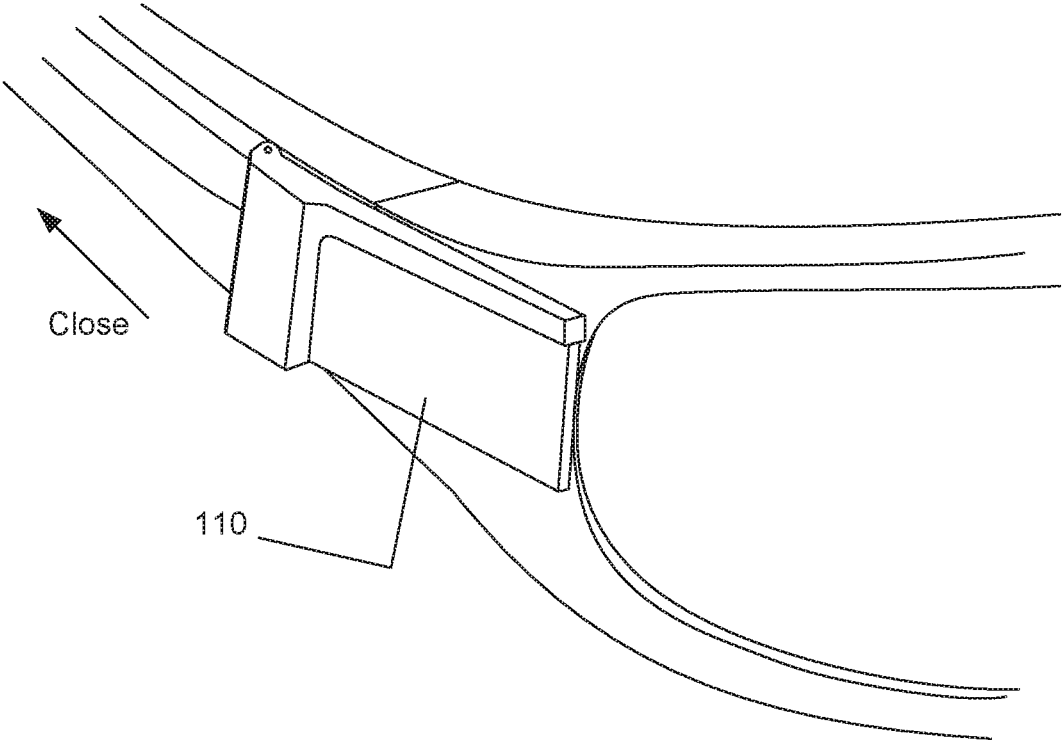


FIG. 6

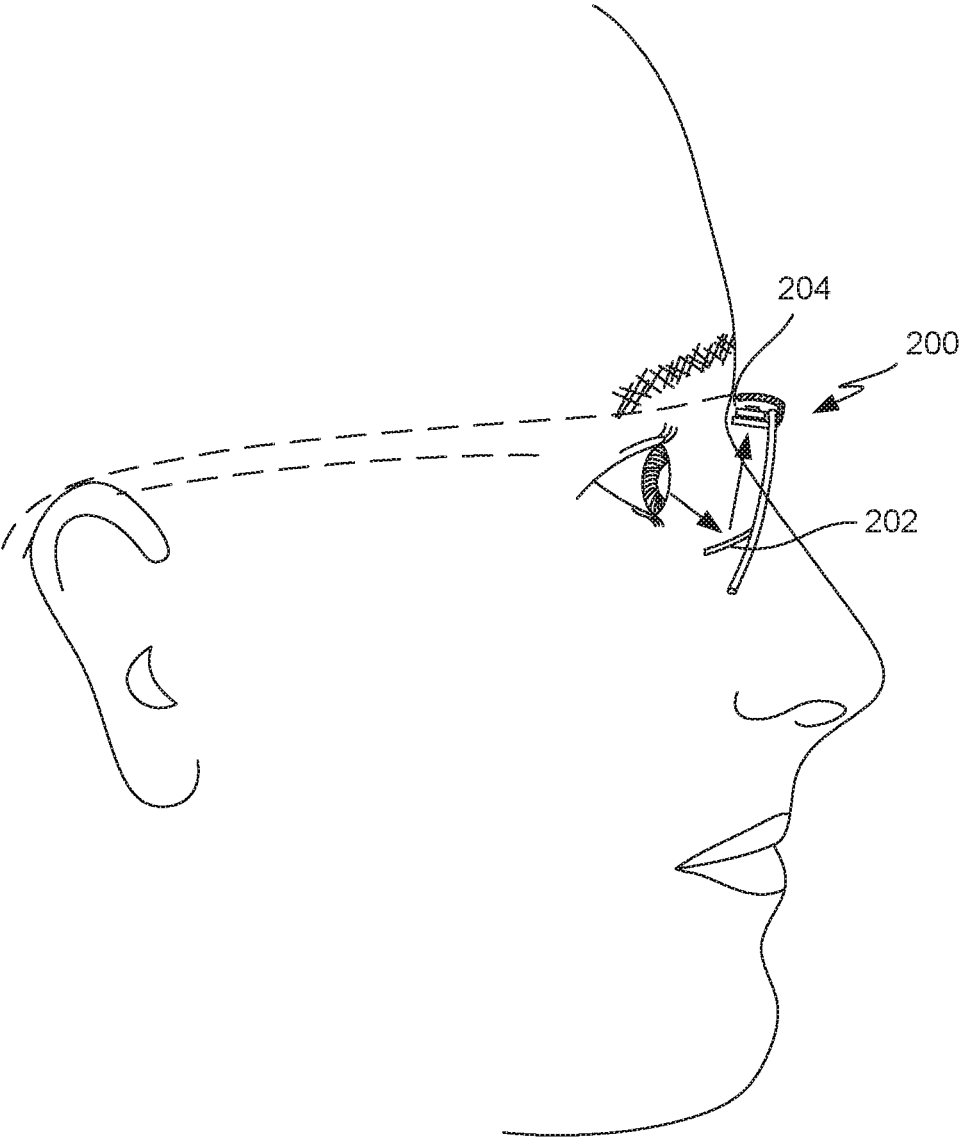


FIG. 7

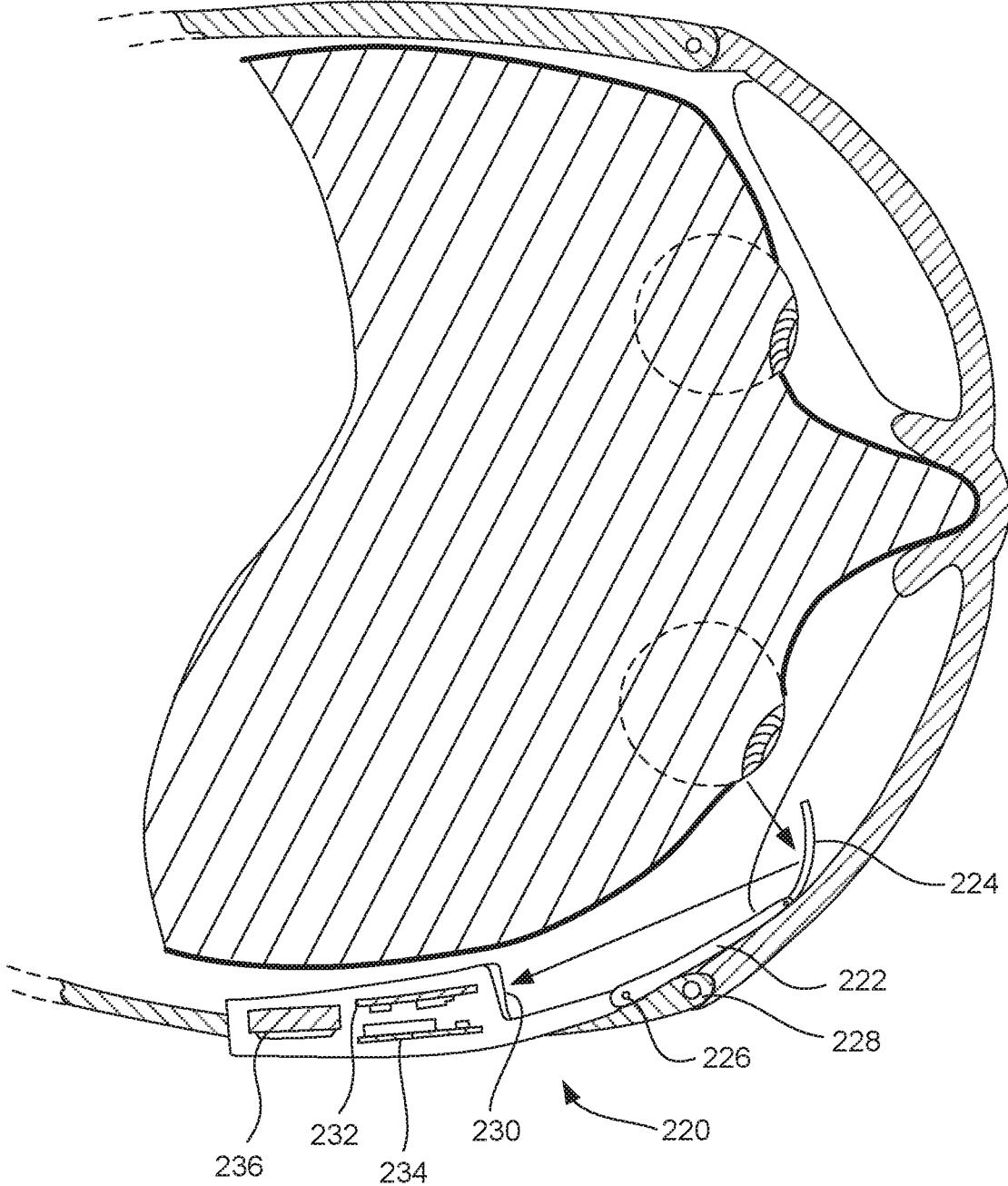


FIG. 8A

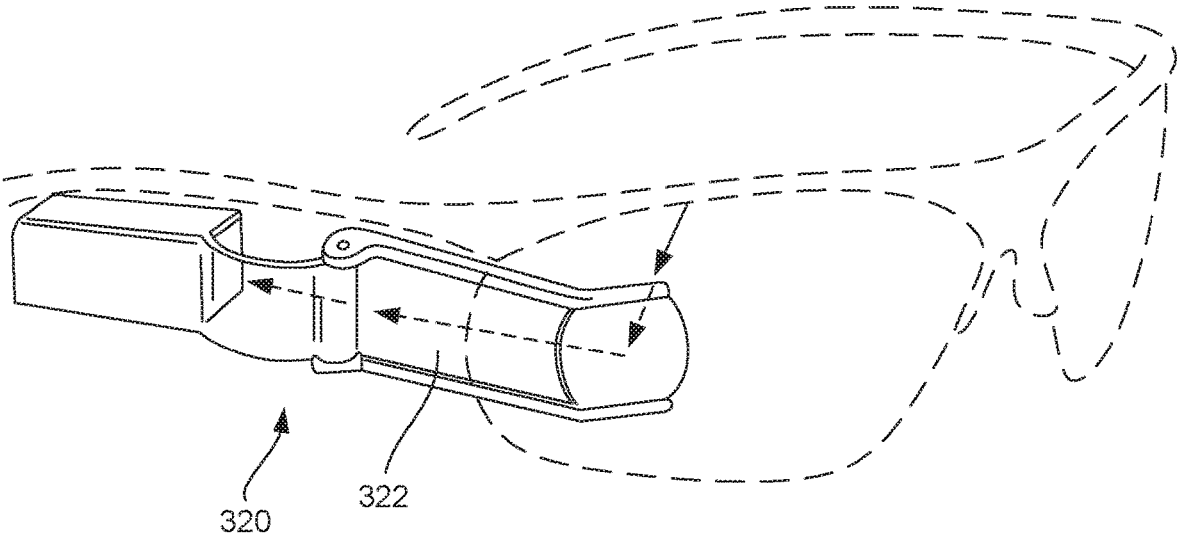


FIG. 8B

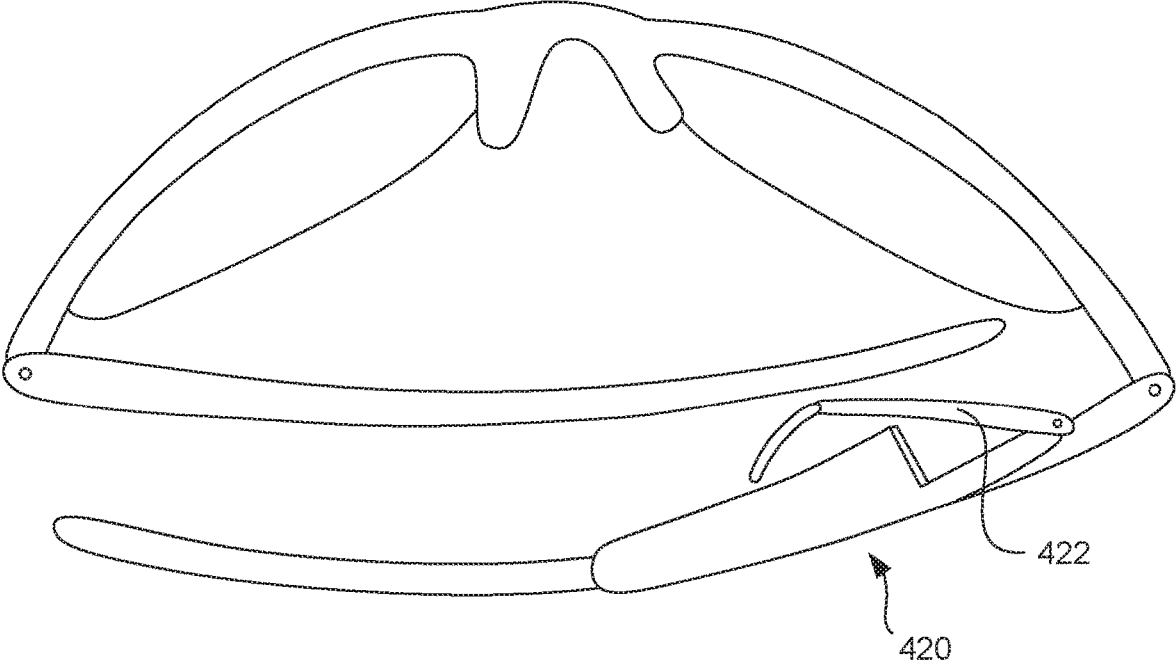


FIG. 9

ELECTRONIC EYEWEAR AND DISPLAY**CROSS-REFERENCE TO RELATED APPLICATIONS**

This application is a continuation of U.S. patent application Ser. No. 14/211,491, filed Mar. 14, 2014, and entitled "ELECTRONIC EYEWEAR AND DISPLAY," which is hereby incorporated herein by reference, which in turn claims priority to U.S. Patent Application No. 61/792,702, filed Mar. 15, 2013, and entitled "ELECTRONIC EYEWEAR AND DISPLAY," which is hereby incorporated herein by reference.

FIELD OF THE DESCRIBED EMBODIMENTS

The described embodiments relate generally to electronic eyewear. More particularly, the described embodiments relate to apparatuses, methods and systems for electronic eyewear that includes a display.

BACKGROUND OF THE INVENTION

It is desirable to have methods, systems and apparatuses for providing electronic eyewear that includes a display.

SUMMARY OF THE INVENTION

In one embodiment, an eyewear apparatus includes a display and a frame. The frame includes a side region that includes an extendable arm. The first end of the extendable arm is attached to the frame and a second end of the extendable arm is attached to the display. The side region includes a cavity, where the extendable arm is adapted to retract back. The extendable arm is further adapted to extend out of the cavity and orient the display to be visually observable by a user of the eyewear apparatus.

In another embodiment, an eyewear apparatus includes a concave reflective and an image source. The image source and the concave reflective surface are oriented to enable a user of the eyewear apparatus to view at least an image from the image source as reflected by the concave reflective surface. In one embodiment, the apparatus includes a lens. The concave reflective surface can be integral with the lens. In another embodiment, the apparatus includes a frame. The concave reflective surface can be in the frame. In another embodiment, the frame includes an extendable arm with a first end and a second end. The first end of the extendable arm is configured to be attached to the frame, and the concave reflective surface is configured to be in the vicinity of the second end. Yet another embodiment includes a lens, an additional image source and an additional concave reflective surface, with the additional source and surface being located at opposite sides of the lens. In one embodiment, the eyewear apparatus is in a module.

Other aspects and advantages of the present invention will become apparent from the following detailed description, which, when taken in conjunction with the accompanying drawings, illustrates by way of example the principles of the invention.

BRIEF DESCRIPTION OF THE DRAWINGS

FIG. 1 shows an electronic eyewear that includes a display, according to an embodiment of the invention.

FIG. 2 shows an alternate view of the electronic eyewear of FIG. 1 that includes the display, according to an embodiment of the invention.

FIG. 3 shows the electronic eyewear of FIGS. 1 and 2, wherein the display is at least partially embedded in a temple region of the electronic eyewear, according to an embodiment of the invention.

FIG. 4 shows an electronic eyewear that includes a display, according to an embodiment of the invention.

FIG. 5 shows an alternate view of the electronic eyewear of FIG. 4 that includes the display, according to an embodiment of the invention.

FIG. 6 shows the electronic eyewear of FIGS. 4 and 5, wherein the display is at least partially embedded in a temple region of the electronic eyewear, according to an embodiment of the invention.

FIG. 7 shows an embodiment of an electronic display apparatus for eyewear that includes a concave reflective surface and an image source.

FIG. 8A-8B show different embodiments of an electronic display apparatus for eyewear that includes an extendable arm that is extended.

FIG. 9 shows an embodiment of an electronic display apparatus for eyewear that includes an extendable arm that is retracted.

Same numerals in FIGS. 1-9 are assigned to similar elements in all the figures. Embodiments of the invention are discussed below with reference to FIGS. 1-9. However, those skilled in the art will readily appreciate that the detailed description given herein with respect to these figures is for explanatory purposes as the invention extends beyond these limited embodiments.

DETAILED DESCRIPTION OF THE INVENTION

One embodiment includes an electronic eyewear with a display. The electronic eyewear includes a side region and a front region, and the display can be attached to the side region of the eyewear. In one embodiment, the side region includes a temple region. In another embodiment, the eyewear includes a front region with two sides, and two side regions, one connected to each side of the front region.

In different embodiments, an electronic eyewear can be, for example, a pair of sunglasses, fit-over glasses, prescription glasses, safety glasses, goggles, such as ski goggles, and "frame-less" glasses; an auxiliary frame, and a swim mask; and an electronic apparatus wearable by a user in the vicinity of one or both eyes of the user.

In one embodiment, the electronic eyewear includes at least a front region and a side region. The front region is configured to be in front of the user wearing the electronic eyewear. The side region is configured to be on a side of the user wearing the electronic eyewear.

FIG. 1 shows a block diagram of an electronic eyewear according to one embodiment. For this embodiment, the electronic eyewear includes a frame 100 that includes a pair of temples or arms 102, 104; and a lens holder adaptable to hold one or more lenses (for example, lenses 160, 162). In one embodiment, a "frame-less" glasses can be an eyewear with two lenses connected by a bridge, with each lens also connected to an arm or temple.

While two lenses 160, 162 are depicted in FIG. 1, the electronic eyewear can include a single eye-piece forming goggles rather than the standard lenses of glasses. As an example, the lens could be a single wrap-around lens. For an

embodiment, the frame **100** is adaptable to hold one or more lenses, such as, lenses **160**, **162**.

In another embodiment, the frame **100** includes a connecting piece between lenses such as in a pair of frame-less glasses.

As shown, the frame **100** further includes a display **110**. For example, at least one of the arms **102**, **104** includes a region **120** that includes an extendable arm **125**, wherein a first end of the extendable arm **125** is attached to the temple region **120** and a second end of the extendable arm **125** is attached to the display **110**.

An embodiment includes an eyewear apparatus. The eyewear apparatus includes a frame, and a display. For an embodiment, the frame includes a side region that includes an extendable arm, wherein a first end of the extendable arm is attached to the frame and a second end of the extendable arm is attached to the display.

For an embodiment, a temple region **120** or a side region of the eyewear includes a cavity, wherein the extendable arm **125** is adapted to retract back to the cavity, and can fit within or substantially within the cavity. For an embodiment, the extendable arm **125** is further adapted to extend out of the cavity and orient the display **110** to be visually observable by a user of the eyewear apparatus. For an embodiment, the extendable arm **125** includes at least one rotatable joint, allowing adjustment of a distance between the display **110** and the one or more lenses **160**, **162**.

For an embodiment, the extendable arm **125** includes at least one rotatable joint, allowing adjustment of an orientation of the display **110** relative to the one or more lenses. For an embodiment, the extendable arm **125** includes at least one rotatable joint, allowing adjustment of an orientation of a viewing plane of the display **110** relative to a frontal plane of the one or more lenses, or relative to a frontal plane of the lens holder. For an embodiment, a retracted state of the electronic eyewear includes the extendable arm **125** retracted into the cavity. For an embodiment, a user-activated action causes the extendable arm **125** to pop out, or to extend out, of the cavity. In one embodiment, the extendable arm **125** can be user-adjusted.

For an embodiment, an extendable arm includes two or more pieces, wherein at least two of the pieces are connected at endpoints, wherein the pieces rotatably adjust at the endpoints. For an embodiment, a first piece rotatably connected to the temple region and a last piece is rotatably connected to the display.

For an embodiment, at least one conductor extends through the extendable arm, electronically connecting the display to a controller location within the eyewear.

For an embodiment, the display **110** includes an LCD display.

For an embodiment, the display **110** includes a projection screen. For an embodiment, the apparatus further includes a projector for displaying images on the projection screen.

For an embodiment, the apparatus further includes light-guide optical element operative to display images on the display.

In one embodiment, the different attributes of the different embodiments of the electronic eyewear can be programmable, such as via switches on the corresponding eyewear, or wirelessly via a remote control, or both. Examples of switches on a frame can include a knob, a slider or a small dial on the corresponding frame to program the electronic eyewear.

FIG. 2 shows an alternate view of the electronic eyewear of FIG. 1 that includes the display, according to an embodiment.

FIG. 3 shows the electronic eyewear of FIGS. 1 and 2, wherein the display is at least partially embedded in, or concealed within, a temple region of the electronic eyewear, according to an embodiment.

FIG. 4 shows an electronic eyewear that includes a display, according to an embodiment.

FIG. 5 shows an alternate view of the electronic eyewear of FIG. 4 that includes the display, according to an embodiment.

FIG. 6 shows the electronic eyewear of FIGS. 4 and 5, wherein the display is at least partially embedded in, or concealed within, a temple region of the electronic eyewear, according to an embodiment.

In one embodiment, the electronic eyewear includes at least one focusing lens between the display and an eye of the wearer. The focusing lens helps focus the image from the display to the eye. The focusing lens can be a Fresnel lens. In one embodiment, the electronic eyewear includes at least one lens as in a lens of a pair of glasses; and the focusing lens is built into the at least one lens.

In one embodiment, electronics for the electronic eyewear is in an eyewear frame. In another embodiment, the electronic eyewear with the corresponding electronics, such as the control circuitry, can be in a secondary frame, which is attachable to a primary frame via different mechanisms, such as magnets. The primary frame can include a pair of prescription lenses. To illustrate, there can be a housing or a chassis holding prescription lenses, with the electronic eyewear provided on the outside, such as via a clip-on.

In one embodiment, the electronic eyewear with the corresponding control circuitry and power source can be in a fit-over frame that can fit over another frame.

In one embodiment, the electronic eyewear can include prescription lenses providing focal correction, such as bifocal, tri-focal, prism, etc.

In one embodiment, the electronic eyewear is rechargeable or includes power sources, such as a battery, to allow the eyewear to perform its operation over a duration of time, such as a few hours.

One embodiment further includes monitoring if the user is wearing the eyewear. In one embodiment, the electronic eyewear includes a time sensor that times at least one of how long and how frequently the user wears the eyewear. For an embodiment, the time sensor is attached to, integral with, or being a part of the electronic eyewear. For an embodiment, information related to the monitoring/sensing of the eyewear is stored, such as in the eyewear. For an embodiment, after stored, the monitoring information can be later retrieved, for example, by a doctor or physician to allow the physician to determine or gauge the compliance (e.g. duration of time of wearing the eyewear) by the user with a therapy suggested by the doctor or physician. The retrieval can be performed through a wire connection (e.g. via an electrical connector at the eyewear) or wirelessly (e.g. via an infrared sensor or a wireless transceiver at the eyewear).

In one embodiment, a motion detector is used as the “being worn” sensor. A threshold can be set, such that if the amount of motion exceeds the threshold, the eyewear is assumed to be worn. The motion detector can, for example, be achieved by a mechanical means or an accelerometer.

In another embodiment, the “being worn” sensor includes two thermal sensors. One sensor can be at approximately the middle or close to one end of an arm, such as in a region that touches the head of the user wearing the eyewear. The other sensor can be at the other end of the arm, such as close to lens holder of the eyewear. If the temperature differential between the two sensors is beyond a certain preset value, the

eyewear would be assumed to be worn. The differential is presumed to be caused by a person wearing the eyewear.

In yet another embodiment, the eyewear includes at least one hinge, and the hinge is configured to allow an arm of the eyewear to be foldable. In one embodiment, the “being worn” sensor includes a stress sensor at the hinge of the arm. The assumption is that when the eyewear is worn, the hinge is typically slightly stretched because typically, the width of the head of the user is slightly wider than the width between the arms when the two arms are in the extended positions. If the value of the stress sensor is beyond a certain preset value, the eyewear would be assumed to be worn.

In a further embodiment, the “being worn” sensor can be a switch. For example, at the hinge between an arm and its corresponding lens holder, there is a switch. When that temple is fully extended outwards, the switch is turned on. The switch can be a pin. When the temple is fully extended outwards, the pin is pressed. When both arms are fully extended outwards, in one embodiment, the eyewear would be assumed to be worn by the user.

In one embodiment, the electronic eyewear includes one or more lenses based on liquid crystal lens technologies.

In one embodiment, the electronic eyewear may be secured from the back with a functional strap, such as a lanyard. In one embodiment, the lanyard may contain the electronics, such as control circuitry and power source, of the electronic eyewear. This can provide additional ergonomic qualities and securing for active users.

FIG. 7 shows an embodiment of an electronic display apparatus for eyewear **200** includes a concave reflective surface **202** and an image source **204**. The image source **204** could include a liquid crystal display (LCD) or a light emitting diode type of display (LEDD), with a circuit board having electronics attached. The image source **204** and the concave reflective surface **202** can be configured to be oriented to enable a user of the electronic display apparatus to view at least an image from the image source **204** as reflected by the concave reflective surface **202**.

In one embodiment, the electronic display apparatus for eyewear is adapted or configured for an electronic eyewear.

In one embodiment, the electronic display apparatus for eyewear includes at least one lens. In one embodiment, at least a portion of a concave reflective surface is integrated with the at least one lens. For example, the at least one lens can include a transparent portion and the at least a portion of the concave reflective surface. In another embodiment, such as for a pair of sunglasses, the at least one lens can include a near-transparent portion and the at least a portion of the concave reflective surface. In yet another embodiment, the at least one lens can include a substantially non-reflective portion (which could be transparent or near-transparent) and the at least a portion of the concave reflective surface.

At least a portion of the concave reflective surface and at least a portion of the image source can be located on opposite sides of the at least one lens. For example, the at least a portion of the concave reflective surface is at an upper portion of the at least one lens, while the at least a portion of the image source is at the vicinity around a lower portion of the at least one lens. In another example, at least a portion of the concave reflective surface and at least a portion of the image source are located in the vicinity on a same side of the at least one lens.

In yet another embodiment, the at least one lens is configured to be located between the image source and the concave reflective surface, and is configured to enable a user of the eyewear apparatus to view at least an image from the image source as reflected by the concave reflective surface.

In one embodiment, the electronic display apparatus for eyewear includes a frame, and at least a portion of the concave reflective surface is in or integral with the frame. The apparatus also can include at least one lens. In one embodiment, at least a portion of the concave reflective surface, or at least a portion of the image source, or both, are at the frame. The at least a portion of the concave reflective surface, and the at least a portion of the image source both can be located in the vicinity of the opposite sides of the at least one lens. For example, the at least a portion of the concave mirror is at the frame, adjacent to an upper portion of the at least one lens; and the at least a portion of the image source is at the frame, adjacent to a lower portion of the at least one lens.

FIGS. **8a** and **8b** show different embodiments of an electronic display apparatus for eyewear including an extendable arm that are extended. For example, FIG. **8a** shows an embodiment **220** of an electronic display apparatus for eyewear that includes an extendable arm **222**. The electronic display apparatus for eyewear can also include a frame with a side region, wherein at least a portion of an image source is in the side region of the frame. The extendable arm has a first end and a second end. The first end of the arm **222** is configured to be attached to the frame, and a concave reflective surface **224** is configured to be attached in the vicinity of the second end. In one embodiment, the frame includes one or more lenses, such as in a pair of glasses.

In FIG. **8a**, the extendable arm **222** is configured to be on the inside of the frame, and when extended, the concave reflective surface **224** is positioned behind at least one of the lenses, in between the at least one lenses and the user wearing the frame.

In the embodiment shown in FIG. **8a**, the extendable arm **222** includes a pivot **226**. The pivot **226** can be configured to be behind the pivot **228** of the frame when the frame **228** is worn.

In another embodiment, an extendable arm is on the outside of a frame, and when extended, the concave reflective surface is in front of at least one of the lenses. In this embodiment, the at least one of the lenses is located in between the concave reflective surface and the user when the extendable arm is extended.

In one embodiment, the electronic display apparatus for eyewear includes more than one image source. In another embodiment, the electronic display apparatus for eyewear includes more than one concave reflective surfaces. For example, each image source can be configured to operate with a corresponding concave reflective surface. For each image source and the corresponding concave reflective surface, at least a portion of the image source and at least a portion of its corresponding concave reflective surface can be located in the vicinity of the opposite sides of at least one lens.

FIG. **8b** shows an embodiment **320** of an electronic display apparatus for eyewear including an extendable arm **322** that is extended. FIG. **9** shows an embodiment, **420** of an electronic display apparatus for eyewear including an extendable arm **422** that is retracted.

In one embodiment, an electronic display apparatus for eyewear is configured to be in a module. FIGS. **8A** and **8B** show such an example. In the example shown in FIG. **8a**, the module **220** can include an image source, such as a LCD **230**, with circuit boards, **232** and **234**, and a battery **236**. In another embodiment, the module can be integrated into a frame, such as the frame of a pair of glasses.

The various embodiments, implementations and features of the invention noted above can be combined in various ways or used separately. Those skilled in the art will understand from the description that the invention can be equally applied to or used in other various different settings with respect to various combinations, embodiments, implementations or features provided in the description herein.

Numerous specific details are set forth in order to provide a thorough understanding of the present invention. However, it will become obvious to those skilled in the art that the invention may be practiced without these specific details. The description and representation herein are the common meanings used by those experienced or skilled in the art to most effectively convey the substance of their work to others skilled in the art. In other instances, well-known methods, procedures, components, and circuitry have not been described in detail to avoid unnecessarily obscuring aspects of the present invention.

Also, in this specification, reference to “one embodiment” or “an embodiment” means that a particular feature, structure, or characteristic described in connection with the embodiment can be included in at least one embodiment of the invention. The appearances of the phrase “in one embodiment” in various places in the specification are not necessarily all referring to the same embodiment, nor are separate or alternative embodiments mutually exclusive of other embodiments. Further, the order of blocks in process flowcharts or diagrams representing one or more embodiments of the invention do not inherently indicate any particular order nor imply any limitations in the invention.

Other embodiments of the invention will be apparent to those skilled in the art from a consideration of this specification or practice of the invention disclosed herein. It is intended that the specification and examples be considered as exemplary only, with the true scope and spirit of the invention being indicated by the following claims.

What is claimed is:

1. An eyewear apparatus, comprising:
an eyewear frame for supporting at least a lens; and
at least an image source, including at least a circuit board having at least an electrical component attached thereon, configured to produce at least an image, with at least a portion of the at least an image source being in the eyewear frame,
wherein the at least an image source and at least a concave reflective surface of the eyewear apparatus are oriented to enable a user of the eyewear apparatus to see at least the image from the at least an image source at least as reflected by the at least a concave reflective surface,
wherein the at least an image source is configured to be positioned above the center of the at least a concave reflective surface when the eyewear frame is worn, to enable the user of the eyewear apparatus to see at least the image from the at least an image source at least as reflected by the at least a concave reflective surface, and
wherein the center of the at least a concave reflective surface is configured to be positioned off from the center of the at least a lens.
2. The eyewear apparatus of claim 1 comprising at least a battery, wherein the at least an image source and at least the battery are in a module.
3. The eyewear apparatus of claim 2, wherein at least a portion of the module is configured to be in the eyewear frame.
4. The eyewear apparatus of claim 1,
wherein the eyewear frame includes the at least a lens, and

wherein the at least a concave reflective surface is a part of the at least a lens.

5. The eyewear apparatus of claim 4 comprising at least a battery, wherein the at least an image source and at least the battery are in a module.

6. The eyewear apparatus of claim 5, wherein at least a portion of the module is configured to be in the eyewear frame.

7. The eyewear apparatus of claim 1 comprising a sensor with at least an electrical component configured to sense at least an attribute regarding the user, wherein at least an operation of the at least an image source is based on at least an output of the sensor, and wherein at least a portion of the sensor is in the eyewear frame.

8. The eyewear apparatus as recited in claim 7 comprising:

at least a battery,
wherein the eyewear frame includes the at least a lens,
wherein the at least an image source and at least the battery are in a module,
wherein at least a portion of the module is configured to be in the eyewear frame, and
wherein the at least a concave reflective surface is a part of the at least a lens.

9. An eyewear apparatus, comprising:
an eyewear frame including at least a lens and at least a concave reflective surface; and
at least an image source, including at least a circuit board having at least an electrical component attached thereon, configured to produce at least an image, with at least a portion of the at least an image source being in the eyewear frame,

wherein the at least an image source and the at least a concave reflective surface are oriented to enable a user of the eyewear apparatus to see at least the image from the at least an image source at least as reflected by the at least a concave reflective surface,
wherein the at least an image source is configured to be positioned above the center of the at least a concave reflective surface when the eyewear frame is worn, to enable the user of the eyewear apparatus to see at least the image from the at least an image source at least as reflected by the at least a concave reflective surface, and
wherein the center of the at least a concave reflective surface is configured to be positioned off from the center of the at least a lens.

10. The eyewear apparatus as recited in claim 9 comprising a sensor configured to sense at least an attribute of the user, wherein at least a portion of the sensor is in the eyewear frame.

11. An eyewear apparatus, comprising:
an eyewear frame for supporting at least a lens; and
at least an image source, including at least a circuit board having at least an electrical component attached thereon, configured to produce at least an image, with at least a portion of the at least an image source being in the eyewear frame,

wherein at least a part of the at least a lens is configured to operate as at least a concave reflective surface,
wherein the at least an image source and the at least a concave reflective surface are oriented to enable a user of the eyewear apparatus to see at least the image from the at least an image source at least as reflected by the at least a concave reflective surface,
wherein the at least an image source is configured to be positioned above the center of the at least a concave

reflective surface when the eyewear frame is worn, to enable the user of the eyewear apparatus to see at least the image from the at least an image source at least as reflected by the at least a concave reflective surface, and

wherein the center of the at least a concave reflective surface is configured to be positioned off from the center of the at least a lens.

12. The eyewear apparatus of claim 11, wherein the at least an image source is configured to be in the vicinity of a top portion of the at least a lens.

13. The eyewear apparatus of claim 11 comprising at least another image source configured to produce at least another image, with at least a portion of the at least another image source being in the eyewear frame, wherein the at least another image source and at least another concave reflective surface of the eyewear apparatus are oriented to enable the user of the eyewear apparatus to see the at least another image from the at least another image source at least as reflected by the at least another concave reflective surface.

14. The eyewear apparatus of claim 11 comprising a being-worn sensor configured to help determine whether the eyewear is being worn, wherein at least a portion of the being-worn sensor is in the eyewear frame.

15. The eyewear apparatus of claim 14, wherein the being-worn sensor includes a motion sensor.

16. The eyewear apparatus of claim 11 comprising a sensor configured to sense at least an attribute of the user, wherein at least a portion of the sensor is in the eyewear frame.

17. The eyewear apparatus of claim 12 comprising a sensor configured to sense at least an attribute of the user, wherein at least a portion of the sensor is in the eyewear frame.

18. The eyewear apparatus of claim 17 comprising at least another image source configured to produce at least another image, with at least a portion of the at least another image source being in the eyewear frame, wherein the at least another image source and at least another concave reflective surface of the eyewear apparatus are oriented to enable the user of the eyewear apparatus to see the at least another image from the at least another image source at least as reflected by the at least another concave reflective surface.

19. The eyewear apparatus of claim 18 comprising a being-worn sensor configured to help determine whether the eyewear is being worn, wherein at least a portion of the being-worn sensor is in the eyewear frame.

20. The eyewear apparatus of claim 13 comprising a sensor configured to sense at least an attribute of the user, wherein at least a portion of the sensor is in the eyewear frame.

21. The eyewear apparatus of claim 20 comprising a being-worn sensor configured to help determine whether the eyewear is being worn, wherein at least a portion of the being-worn sensor is in the eyewear frame.

22. The eyewear apparatus of claim 1, wherein the at least an image source is configured to be in the vicinity of a top portion of the at least a lens.

23. The eyewear apparatus of claim 22 comprising a sensor configured to sense at least an attribute of the user, wherein at least a portion of the sensor is in the eyewear frame.

24. The eyewear apparatus of claim 23 comprising at least another image source configured to produce at least another image, with at least a portion of the at least another image source being in the eyewear frame, wherein the at least another image source and at least another concave reflective

surface of the eyewear apparatus are oriented to enable the user of the eyewear apparatus to see the at least another image from the at least another image source at least as reflected by the at least another concave reflective surface.

25. The eyewear apparatus of claim 24 comprising a being-worn sensor configured to help determine whether the eyewear is being worn, wherein at least a portion of the being-worn sensor is in the eyewear frame.

26. The eyewear apparatus of claim 1 comprising at least another image source configured to produce at least another image, with at least a portion of the at least another image source being in the eyewear frame, wherein the at least another image source and at least another concave reflective surface of the eyewear apparatus are oriented to enable the user of the eyewear apparatus to see the at least another image from the at least another image source at least as reflected by the at least another concave reflective surface.

27. The eyewear apparatus of claim 26 comprising a sensor configured to sense at least an attribute of the user, wherein at least a portion of the sensor is in the eyewear frame.

28. The eyewear apparatus of claim 27 comprising a being-worn sensor configured to help determine whether the eyewear is being worn, wherein at least a portion of the being-worn sensor is in the eyewear frame.

29. The eyewear apparatus of claim 11, wherein the at least a lens includes a wrap-around lens.

30. The eyewear apparatus of claim 11, wherein the eyewear apparatus includes at least a timer in the eyewear frame, the timer configured to measure a duration of time regarding a usage of the eyewear apparatus by the user.

31. The eyewear apparatus of claim 11, wherein the eyewear apparatus includes at least a motion sensor in the eyewear frame, the at least a motion sensor configured to measure at least a motion of the user.

32. The eyewear apparatus of claim 31, wherein the at least a motion sensor includes at least an accelerometer.

33. The eyewear apparatus of claim 11, wherein with the at least a part of the at least a lens to operate as the at least a concave reflective surface, the eyewear apparatus enables the user to see the at least an image from the at least an image source and at the same time to see through the at least a lens.

34. An eyewear apparatus for a user, comprising: an eyewear frame for supporting at least a lens; at least a timer in the eyewear frame, the timer configured to measure a duration of time regarding a usage of the eyewear apparatus by the user;

at least a motion sensor in the eyewear frame, the at least a motion sensor configured to measure at least a motion of the user, wherein the at least a motion sensor includes at least an accelerometer; and

at least an image source, including at least a circuit board having at least an electrical component attached thereon, configured to produce at least an image, with at least a portion of the at least an image source being in the vicinity of a top portion of the at least a lens, wherein at least a part of the at least a lens is configured to operate as at least a concave reflective surface, wherein the at least an image source and the at least a concave reflective surface are oriented to enable the user of the eyewear apparatus to see at least the image from the at least an image source at least as reflected by the at least a concave reflective surface,

wherein the at least an image source is configured to be positioned above the center of the at least a concave reflective surface when the eyewear frame is worn, to

enable the user of the eyewear apparatus to see at least the image from the at least an image source at least as reflected by the at least a concave reflective surface, wherein the center of the at least a concave reflective surface is configured to be positioned off from the center of the at least a lens, and wherein with the at least a part of the at least a lens to operate as the at least a concave reflective surface, the eyewear apparatus enables the user to see the at least an image from the at least an image source and at the same time to see through the at least a lens.

35. An eyewear apparatus of claim **34**, wherein the at least a lens includes a wrap-around lens.

* * * * *