



(12) **United States Patent**
Howell et al.

(10) **Patent No.:** **US 9,547,184 B2**
(45) **Date of Patent:** ***Jan. 17, 2017**

(54) **EYEWEAR SUPPORTING EMBEDDED ELECTRONIC COMPONENTS**

G02C 5/00 (2006.01)
G02C 11/06 (2006.01)

(71) Applicant: **IngenioSpec, LLC**, Los Altos, CA (US)

(52) **U.S. Cl.**
CPC **G02C 11/10** (2013.01); **G02C 5/001** (2013.01); **G02C 11/06** (2013.01)

(72) Inventors: **Thomas A. Howell**, Palo Alto, CA (US); **David Chao**, Saratoga, CA (US); **C. Douglass Thomas**, Saratoga, CA (US); **Peter P. Tong**, Mountain View, CA (US)

(58) **Field of Classification Search**
CPC G02C 11/10; G02C 7/081; G02C 7/083
USPC 351/158, 41, 159
See application file for complete search history.

(73) Assignee: **IngenioSpec, LLC**, Los Altos, CA (US)

(56) **References Cited**

(*) Notice: Subject to any disclaimer, the term of this patent is extended or adjusted under 35 U.S.C. 154(b) by 0 days.

U.S. PATENT DOCUMENTS

This patent is subject to a terminal disclaimer.

320,558 A 6/1885 Hull
669,949 A 3/1901 Underwood
(Continued)

(21) Appl. No.: **14/557,409**

FOREIGN PATENT DOCUMENTS

(22) Filed: **Dec. 1, 2014**

CA 2 487 391 12/2003
CN 88203065 11/1988

(Continued)

(65) **Prior Publication Data**

US 2015/0085245 A1 Mar. 26, 2015

OTHER PUBLICATIONS

Related U.S. Application Data

Notice of Allowance for U.S. Appl. No. 11/183,269, dated Dec. 10, 2010.

(63) Continuation of application No. 13/955,336, filed on Jul. 31, 2013, now Pat. No. 8,905,542, which is a continuation of application No. 13/085,402, filed on Apr. 12, 2011, now Pat. No. 8,500,271, which is a continuation of application No. 11/183,269, filed on Jul. 15, 2005, now Pat. No. 7,922,321, which is a continuation-in-part of application No. 10/964,011, filed on Oct. 12, 2004, now Pat. No. 7,192,136.

(Continued)

(60) Provisional application No. 60/509,631, filed on Oct. 9, 2003, provisional application No. 60/527,565, filed on Dec. 8, 2003, provisional application No.

(Continued)

Primary Examiner — Hung Dang

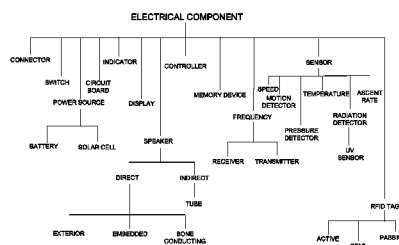
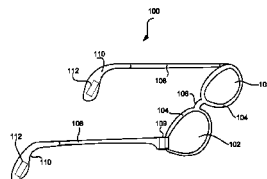
(51) **Int. Cl.**

G02C 1/00 (2006.01)
G02C 11/00 (2006.01)

(57) **ABSTRACT**

Techniques for providing eyewear with electrical components are disclosed. The electrical components can provide electrical technology to eyewear (e.g., eyeglasses) without having to substantially compromise aesthetic design principles of the eyewear. Often, the electrical components can be attached to the eyewear as an after-market enhancement. The electrical components can operate independently or together with other electrical components provided elsewhere.

64 Claims, 11 Drawing Sheets



Related U.S. Application Data

60/562,798, filed on Apr. 15, 2004, provisional application No. 60/583,169, filed on Jun. 26, 2004, provisional application No. 60/592,045, filed on Jul. 28, 2004, provisional application No. 60/605,191, filed on Aug. 28, 2004, provisional application No. 60/592,045, filed on Jul. 28, 2004, provisional application No. 60/605,191, filed on Aug. 28, 2004, provisional application No. 60/618,107, filed on Oct. 12, 2004, provisional application No. 60/620,238, filed on Oct. 18, 2004, provisional application No. 60/647,836, filed on Jan. 31, 2005, provisional application No. 60/647,826, filed on Jan. 31, 2005.

(56)

References Cited

U.S. PATENT DOCUMENTS

1,255,265 A	2/1918	Zachara	5,394,005 A	2/1995	Brown et al.
1,917,745 A	7/1933	Weiss	5,452,026 A	9/1995	Marcy, III
2,249,572 A	7/1941	Lieber	5,452,480 A	9/1995	Ryden
2,638,532 A	5/1953	Brady	5,455,640 A	10/1995	Gertsikov
2,794,085 A	5/1957	De Angelis	5,457,751 A	10/1995	Such
2,818,511 A	12/1957	Ullery et al.	5,463,428 A	10/1995	Lipton et al.
2,830,132 A	4/1958	Borg	5,500,532 A	3/1996	Kozicki
2,874,230 A	2/1959	Carlson	D369,167 S	4/1996	Hanson et al.
2,904,670 A	9/1959	Calmes	5,510,961 A	4/1996	Peng
3,060,308 A	10/1962	Fortuna	5,513,384 A	4/1996	Brennan et al.
3,597,054 A	8/1971	Winter	5,533,130 A	7/1996	Staton
3,710,115 A	1/1973	Jubb	5,581,090 A	12/1996	Goudjil
3,883,701 A	5/1975	Delorenzo	5,585,871 A	12/1996	Linden
4,165,487 A	8/1979	Corderman	5,589,398 A	12/1996	Krause et al.
4,254,451 A	3/1981	Cochran, Jr.	5,590,417 A	12/1996	Rydbeck
4,283,127 A	8/1981	Rosenwinkel et al.	5,606,743 A	2/1997	Vogt et al.
4,322,585 A	3/1982	Liautaud	5,608,808 A	3/1997	da Silva
4,348,664 A	9/1982	Boschetti et al.	5,634,201 A	5/1997	Mooring
4,389,217 A	6/1983	Baughman et al.	5,671,035 A	9/1997	Barnes
4,526,473 A	7/1985	Zahn, III	5,673,692 A	10/1997	Schulze et al.
4,535,244 A	8/1985	Burnham	5,686,727 A	11/1997	Reenstra et al.
4,608,492 A	8/1986	Burnham	5,694,475 A	12/1997	Boyden
4,683,587 A	7/1987	Silverman	5,715,323 A	2/1998	Walker
4,751,691 A	6/1988	Perera	5,737,436 A	4/1998	Boyden et al.
4,757,714 A	7/1988	Purdy et al.	5,818,381 A	10/1998	Williams
4,773,095 A	9/1988	Zwicker et al.	5,835,185 A	11/1998	Kallman et al.
4,806,011 A	2/1989	Bettinger	5,900,720 A	5/1999	Kallman et al.
4,822,160 A	4/1989	Tsai	5,903,395 A	5/1999	Rallison et al.
4,822,161 A	4/1989	Jimmy	5,941,837 A	8/1999	Amano et al.
4,851,686 A	7/1989	Pearson	5,946,071 A	8/1999	Feldman
4,856,086 A	8/1989	McCullough	5,949,516 A	9/1999	McCurdy
4,859,047 A	8/1989	Badewitz	5,966,746 A	10/1999	Reedy et al.
4,882,769 A	11/1989	Gallimore	5,980,037 A	11/1999	Conway
4,942,629 A	7/1990	Stadlmann	5,988,812 A	11/1999	Wingate
4,962,469 A	10/1990	Ono et al.	5,991,085 A	11/1999	Rallison et al.
4,967,268 A	10/1990	Lipton et al.	5,992,996 A	11/1999	Sawyer
4,985,632 A	1/1991	Bianco et al.	5,995,592 A	11/1999	Shirai et al.
5,008,548 A	4/1991	Gat	6,010,216 A	1/2000	Jesiek
5,015,086 A	5/1991	Okaua et al.	6,013,919 A	1/2000	Schneider et al.
5,020,150 A	5/1991	Shannon	6,028,627 A	2/2000	Helmsderfer
5,026,151 A	6/1991	Waltuck et al.	6,046,455 A	4/2000	Ribi et al.
5,036,311 A	7/1991	Moran et al.	6,060,321 A	5/2000	Hovorka
5,050,150 A	9/1991	Ikeda	6,061,580 A	5/2000	Altschul et al.
5,064,410 A	11/1991	Frenkel et al.	6,091,546 A	7/2000	Spitzer
5,093,576 A	3/1992	Edmond et al.	6,091,832 A	7/2000	Shurman et al.
5,106,179 A	4/1992	Kamaya et al.	6,115,177 A	9/2000	Vossler
5,148,023 A	9/1992	Hayashi et al.	6,132,681 A	10/2000	Faran et al.
5,151,600 A	9/1992	Black	6,145,983 A	11/2000	Schiffer
5,161,250 A	11/1992	Ianna et al.	6,154,552 A	11/2000	Koroljow et al.
5,172,256 A	12/1992	Sethofer et al.	6,176,576 B1	1/2001	Green et al.
5,264,877 A	11/1993	Hussey	6,225,897 B1	5/2001	Doyle et al.
5,306,917 A	4/1994	Black et al.	6,231,181 B1	5/2001	Swab
5,353,378 A	10/1994	Hoffman et al.	6,236,969 B1	5/2001	Ruppert et al.
5,359,370 A	10/1994	Mugnier	6,243,578 B1	6/2001	Koike
5,359,444 A	10/1994	Piosenka et al.	6,259,367 B1	7/2001	Klein
5,367,345 A	11/1994	da Silva	6,270,466 B1	8/2001	Weinstein et al.
5,379,464 A	1/1995	Schleger et al.	6,292,213 B1	9/2001	Jones
5,382,986 A	1/1995	Black et al.	6,292,685 B1	9/2001	Pompei
			6,301,367 B1	10/2001	Boyden et al.
			6,307,526 B1	10/2001	Mann
			6,343,858 B1	2/2002	Zelman
			6,349,001 B1	2/2002	Spitzer
			6,349,422 B1	2/2002	Schleger et al.
			6,409,335 B1	6/2002	Lipawsky
			6,409,338 B1	6/2002	Jewell
			6,426,719 B1	7/2002	Nagareda et al.
			6,431,705 B1	8/2002	Linden
			6,474,816 B2	11/2002	Butler et al.
			6,478,736 B1	11/2002	Mault
			6,506,142 B2	1/2003	Itoh et al.
			6,511,175 B2	1/2003	Hay et al.
			6,513,532 B2	2/2003	Mault et al.
			6,517,203 B1	2/2003	Blum et al.
			6,539,336 B1	3/2003	Vock et al.
			6,542,081 B2	4/2003	Torch
			6,546,101 B1	4/2003	Murray et al.
			6,554,763 B1	4/2003	Amano et al.
			6,582,075 B1	6/2003	Swab et al.
			6,619,799 B1	9/2003	Blum et al.

(56)

References Cited

U.S. PATENT DOCUMENTS

6,629,076	B1	9/2003	Haken	2002/0098877	A1	7/2002	Glezerman
6,729,726	B2	5/2004	Miller et al.	2002/0101568	A1	8/2002	Eberl et al.
6,736,759	B1	5/2004	Stubbs et al.	2002/0109600	A1	8/2002	Mault et al.
6,764,194	B1	7/2004	Cooper	2002/0140899	A1	10/2002	Blum et al.
6,769,767	B2	8/2004	Swab et al.	2002/0159023	A1	10/2002	Swab
6,792,401	B1	9/2004	Nigro et al.	2002/0197961	A1	12/2002	Warren
6,824,265	B1	11/2004	Harper	2003/0018274	A1	1/2003	Takahashi et al.
6,871,951	B2	3/2005	Blum et al.	2003/0022690	A1	1/2003	Beyda et al.
6,879,930	B2	4/2005	Sinclair et al.	2003/0032449	A1	2/2003	Giobbi
6,912,386	B1	6/2005	Himberg et al.	2003/0062046	A1	4/2003	Wiesmann et al.
6,929,365	B2	8/2005	Swab et al.	2003/0065257	A1	4/2003	Mault et al.
6,932,090	B1	8/2005	Reschke et al.	2003/0067585	A1	4/2003	Miller et al.
6,947,219	B1	9/2005	Ou	2003/0068057	A1	4/2003	Miller et al.
7,004,582	B2	2/2006	Jannard et al.	2003/0083591	A1	5/2003	Edwards et al.
7,013,009	B2	3/2006	Warren	2003/0214630	A1	11/2003	Winterbotham
7,030,902	B2	4/2006	Jacobs	2003/0226978	A1	12/2003	Ribi et al.
7,031,667	B2	4/2006	Horiguchi	2004/0000733	A1	1/2004	Swab et al.
7,033,025	B2	4/2006	Winterbotham	2004/0029582	A1	2/2004	Swab et al.
7,059,717	B2	6/2006	Bloch	2004/0063378	A1	4/2004	Nelson
7,073,905	B2	7/2006	Da Pra'	2004/0096078	A1	5/2004	Lin
7,079,876	B2	7/2006	Levy	2004/0100384	A1	5/2004	Chen et al.
7,123,215	B2	10/2006	Nakada	2004/0128737	A1	7/2004	Gesten
7,192,136	B2	3/2007	Howell et al.	2004/0150986	A1	8/2004	Chang
7,255,437	B2	8/2007	Howell et al.	2004/0156012	A1	8/2004	Jannard et al.
7,265,358	B2	9/2007	Fontaine	2004/0157649	A1	8/2004	Jannard et al.
7,274,292	B2	9/2007	Velhal et al.	2004/0160571	A1	8/2004	Jannard
7,289,767	B2	10/2007	Lai	2004/0160572	A1	8/2004	Jannard
7,312,699	B2	12/2007	Chornenky	2004/0160573	A1	8/2004	Jannard et al.
7,331,666	B2	2/2008	Swab et al.	2004/0197002	A1	10/2004	Atsumi et al.
7,376,238	B1	5/2008	Rivas et al.	2004/0227219	A1	11/2004	Su
7,380,936	B2	6/2008	Howell et al.	2005/0067580	A1	3/2005	Fontaine
7,401,918	B2	7/2008	Howell et al.	2005/0078274	A1	4/2005	Howell et al.
7,405,801	B2	7/2008	Jacobs	2005/0088365	A1	4/2005	Yamazaki et al.
7,429,965	B2	9/2008	Weiner	2005/0201585	A1	9/2005	Jannard et al.
7,438,409	B2	10/2008	Jordan	2005/0213026	A1	9/2005	Da Pra'
7,438,410	B1	10/2008	Howell et al.	2005/0230596	A1	10/2005	Howell et al.
7,445,332	B2	11/2008	Jannard et al.	2005/0238194	A1	10/2005	Chornenky
7,481,531	B2	1/2009	Howell et al.	2005/0239502	A1	10/2005	Swab et al.
7,500,746	B1	3/2009	Howell et al.	2005/0248717	A1	11/2005	Howell et al.
7,500,747	B2	3/2009	Howell et al.	2005/0248718	A1	11/2005	Howell et al.
7,512,414	B2	3/2009	Jannard et al.	2005/0248719	A1	11/2005	Howell et al.
7,527,374	B2	5/2009	Chou	2005/0264752	A1	12/2005	Howell et al.
7,543,934	B2	6/2009	Howell et al.	2006/0001827	A1	1/2006	Howell et al.
7,581,833	B2	9/2009	Howell et al.	2006/0003803	A1	1/2006	Thomas et al.
7,621,634	B2	11/2009	Howell et al.	2006/0023158	A1	2/2006	Howell et al.
7,648,236	B1	1/2010	Dobson	2006/0107822	A1	5/2006	Bowen
7,677,723	B2	3/2010	Howell et al.	2006/0132382	A1	6/2006	Jannard
7,760,898	B2	7/2010	Howell et al.	2007/0030442	A1	2/2007	Howell et al.
7,771,046	B2	8/2010	Howell et al.	2007/0046887	A1	3/2007	Howell et al.
7,792,552	B2	9/2010	Thomas et al.	2007/0055888	A1	3/2007	Miller et al.
7,806,525	B2	10/2010	Howell et al.	2007/0098192	A1	5/2007	Sipkema
7,922,321	B2	4/2011	Howell et al.	2007/0109491	A1	5/2007	Howell et al.
7,976,159	B2	7/2011	Jacobs et al.	2007/0186330	A1	8/2007	Howell et al.
8,109,629	B2	2/2012	Howell et al.	2007/0200927	A1	8/2007	Krenik
8,142,015	B2	3/2012	Paolino	2007/0208531	A1	9/2007	Darley et al.
8,337,013	B2	12/2012	Howell et al.	2007/0270663	A1	11/2007	Ng et al.
8,430,507	B2	4/2013	Howell et al.	2007/0271065	A1	11/2007	Gupta et al.
8,434,863	B2	5/2013	Howell et al.	2007/0271116	A1	11/2007	Wysocki et al.
8,465,151	B2	6/2013	Howell et al.	2007/0271387	A1	11/2007	Lydon et al.
8,485,661	B2	7/2013	Yoo et al.	2007/0279584	A1	12/2007	Howell et al.
8,500,271	B2	8/2013	Howell et al.	2008/0062338	A1	3/2008	Herzog et al.
8,770,742	B2	7/2014	Howell et al.	2008/0068559	A1	3/2008	Howell et al.
8,905,542	B2	12/2014	Howell et al.	2008/0144854	A1	6/2008	Abreu
9,033,493	B2	5/2015	Howell et al.	2008/0151175	A1	6/2008	Gross
9,244,292	B2	1/2016	Swab et al.	2008/0151179	A1	6/2008	Howell et al.
9,405,135	B2	8/2016	Sweis et al.	2008/0158506	A1	7/2008	Fuziak
2001/0005230	A1	6/2001	Ishikawa	2008/0218684	A1	9/2008	Howell et al.
2001/0028309	A1	10/2001	Torch	2008/0262392	A1	10/2008	Ananny et al.
2001/0050754	A1	12/2001	Hay et al.	2008/0278678	A1	11/2008	Howell et al.
2002/0017997	A1	2/2002	Felkowitz	2009/0059159	A1	3/2009	Howell et al.
2002/0021407	A1	2/2002	Elliot	2009/0141233	A1	6/2009	Howell et al.
2002/0081982	A1	6/2002	Schwartz et al.	2009/0147215	A1	6/2009	Howell et al.
2002/0084990	A1	7/2002	Peterson, III	2009/0156128	A1	6/2009	Franson et al.
2002/0089639	A1	7/2002	Stamer et al.	2009/0251661	A1	10/2009	Fuziak, Jr.
2002/0090103	A1	7/2002	Calisto, Jr.	2009/0296044	A1	12/2009	Howell et al.
				2010/0061579	A1	3/2010	Rickards et al.
				2010/0079356	A1	4/2010	Hoellwarth
				2010/0110368	A1	5/2010	Chaum
				2010/0245754	A1	9/2010	Matsumoto et al.

(56)

References Cited

U.S. PATENT DOCUMENTS

2010/0296045	A1	11/2010	Agnoli et al.
2010/0309426	A1	12/2010	Howell et al.
2011/0102734	A1	5/2011	Howell et al.
2011/0187990	A1	8/2011	Howell et al.
2011/0241976	A1	10/2011	Boger et al.
2011/0273365	A1	11/2011	West et al.
2012/0050668	A1	3/2012	Howell et al.
2012/0133885	A1	5/2012	Howell et al.
2013/0201440	A1	8/2013	Howell et al.
2013/0308089	A1	11/2013	Howell et al.
2014/0176902	A1	6/2014	Sweis et al.
2014/0198293	A1	7/2014	Sweis et al.
2014/0268008	A1	9/2014	Howell et al.
2014/0268013	A1	9/2014	Howell et al.
2014/0268017	A1	9/2014	Chao et al.
2014/0361185	A1	12/2014	Howell et al.
2015/0085245	A1	3/2015	Howell et al.
2015/0230988	A1	8/2015	Chao et al.
2015/0253590	A1	9/2015	Howell et al.
2016/0246075	A9	8/2016	Howell et al.

FOREIGN PATENT DOCUMENTS

CN	89214222.7	3/1990
CN	90208199.3	11/1990
DE	10123226	A1 11/2002
EP	1134491	A2 9/2001
FR	2530039	A1 1/1984
GB	1467982	3/1977
JP	58-113912	7/1983
JP	58-113914	7/1983
JP	02-181722	7/1990
JP	09-017204	1/1997
JP	10-161072	6/1998
JP	2000-039595	2/2000
JP	2002 341059	A 11/2002
JP	2005-151292	6/2005
TW	484711	6/2001
WO	WO 97/12205	A1 4/1997
WO	WO 99/50706	A1 10/1999
WO	WO 01/06298	A1 1/2001
WO	WO 02/06881	A2 1/2002
WO	WO 03/069394	A1 8/2003
WO	WO 03/100368	A1 12/2003
WO	WO 2004/012477	A2 2/2004
WO	WO 2004/025554	A1 3/2004
WO	WO 2010/141514	A2 12/2010

OTHER PUBLICATIONS

Office Action for U.S. Appl. No. 11/183,269, dated May 25, 2010.
 Final Office Action for U.S. Appl. No. 11/183,269, dated Feb. 17, 2010.
 Office Action for U.S. Appl. No. 11/183,269, dated Jun. 23, 2009.
 Office Action for U.S. Appl. No. 11/183,269, dated Dec. 4, 2008.
 Final Office Action for U.S. Appl. No. 11/183,269, dated Jun. 5, 2008.
 Office Action for U.S. Appl. No. 11/183,269, dated Oct. 18, 2007.
 Restriction Requirement for U.S. Appl. No. 11/183,269, dated Jun. 25, 2007.
 Office Action for U.S. Appl. No. 13/085,402, dated Apr. 19, 2012.
 Notice of Allowance for U.S. Appl. No. 13/085,402, dated Aug. 2, 2012.
 Notice of Allowance for U.S. Appl. No. 13/085,402, dated Nov. 13, 2012.
 Notice of Allowance for U.S. Appl. No. 13/085,402, dated Feb. 20, 2013.
 Notice of Allowance for U.S. Appl. No. 13/085,402, dated Jun. 14, 2013.
 Office Action for U.S. Appl. No. 13/955,336, dated Dec. 5, 2013.
 Notice of Allowance for U.S. Appl. No. 11/580,222, dated Apr. 20, 2009.

Office Action for U.S. Appl. No. 11/580,222, dated Jan. 28, 2009.
 Office Action for U.S. Appl. No. 11/580,222, dated Sep. 12, 2008.
 Restriction Requirement for U.S. Appl. No. 11/580,222, dated Jun. 18, 2008.
 Notice of Allowance for U.S. Appl. No. 12/462,286, dated Nov. 22, 2011.
 Notice of Allowance for U.S. Appl. No. 12/462,286, dated Jun. 24, 2011.
 Office Action for U.S. Appl. No. 12/462,286, dated Jan. 13, 2011.
 Restriction Requirement for U.S. Appl. No. 12/462,286, dated Sep. 17, 2010.
 U.S. Appl. No. 12/462,286, filed Jul. 31, 2009.
 Office Action for U.S. Appl. No. 13/367,346, dated May 15, 2013.
 Notice of Allowance for U.S. Appl. No. 13/367,346, dated Oct. 10, 2013.
 Office Action for U.S. Appl. No. 13/367,346, dated Jan. 28, 2014.
 U.S. Appl. No. 12/806,312, filed Aug. 10, 2010.
 Office Action for U.S. Appl. No. 12/806,312, dated Apr. 20, 2012.
 Office Action for U.S. Appl. No. 12/806,312, dated Sep. 25, 2012.
 Notice of Allowance for U.S. Appl. No. 12/806,312, dated Dec. 14, 2012.
 Notice of Allowance for U.S. Appl. No. 12/806,312, dated Mar. 29, 2013.
 U.S. Appl. No. 13/831,512, filed Mar. 14, 2013.
 Office Action for U.S. Appl. No. 13/831,512, dated Jun. 4, 2013.
 Office Action for U.S. Appl. No. 13/831,512, dated Feb. 24, 2014.
 Notice of Allowance for U.S. Appl. No. 11/183,256, dated Jan. 13, 2009.
 Office Action for U.S. Appl. No. 11/183,256, dated Sep. 12, 2008.
 Notice of Allowance for U.S. Appl. No. 11/183,256, dated Jul. 8, 2008.
 Office Action for U.S. Appl. No. 11/183,256, dated Jan. 25, 2008.
 Restriction Requirement for U.S. Appl. No. 11/183,256, dated Oct. 17, 2007.
 Restriction Requirement for U.S. Appl. No. 11/183,256, dated Jun. 28, 2007.
 Notice of Allowance for U.S. Appl. No. 11/546,685, dated Feb. 17, 2010.
 Notice of Allowance for U.S. Appl. No. 11/546,685, dated Sep. 18, 2009.
 Office Action for U.S. Appl. No. 11/546,685, dated Mar. 5, 2009.
 Restriction Requirement for U.S. Appl. No. 11/546,685, dated Jan. 27, 2009.
 U.S. Appl. No. 12/803,732, filed Jul. 1, 2010.
 Notice of Allowance for U.S. Appl. No. 12/803,732, dated Sep. 1, 2011.
 Notice of Allowance for U.S. Appl. No. 12/803,732, dated Nov. 15, 2011.
 Notice of Allowance for U.S. Appl. No. 12/803,732, dated Jan. 30, 2012.
 Notice of Allowance for U.S. Appl. No. 12/803,732, dated Apr. 17, 2012.
 Notice of Allowance for U.S. Appl. No. 12/803,732, dated Oct. 19, 2012.
 Notice of Allowance for U.S. Appl. No. 12/803,732, dated Feb. 13, 2013.
 Office Action for U.S. Appl. No. 13/291,020, dated Jun. 4, 2012.
 Office Action for U.S. Appl. No. 13/291,020, dated Apr. 23, 2012.
 Notice of Allowance for U.S. Appl. No. 13/291,020, dated Aug. 2, 2012.
 Notice of Allowance for U.S. Appl. No. 13/291,020, dated Nov. 2, 2012.
 Notice of Allowance for U.S. Appl. No. 13/291,020, dated Feb. 11, 2013.
 U.S. Appl. No. 13/831,419, filed Mar. 14, 2013.
 U.S. Appl. No. 13/831,445, filed Mar. 14, 2013.
 “±1.5g Dual Axis Micromachined Accelerometer”, Freescale Semiconductor, Inc., Motorola Semiconductor Technical Data, MMA6260Q, Jun. 2004, pp. 1-7.
 “APA Announces Shipment of the SunUV™ Personal UV Monitor”, Press Release, Nov. 7, 2003, pp. 1-3.
 “Camera Specs Take Candid Snaps”, BBC News, Sep. 18, 2003, pp. 1-3.

(56)

References Cited

OTHER PUBLICATIONS

- "Cardo Wireless Attaching Clips and Wearing Headset", Cardo Systems, Inc., <http://www.cardowireless.com/clips.php>, downloaded Nov. 27, 2004, pp. 1-3.
- "Environmental Health Criteria 14: Ultraviolet Radiation", International Programme on Chemical Safety, World Health Organization Geneva, 1979 <http://www.ichem.org>, pp. 1-102.
- "Exclusive Media Event Marks Debut of OAKLEY THUMP: World's First Digital Audio Eyewear", Oakley Investor Relations, Press Release, Nov. 15, 2004, pp. 1-2.
- "Eyetop", Product-Features, eyetop eyewear, eyetop belt worn, <http://www.eyetop.net/products/eyetop/features.asp>, downloaded Nov. 6, 2003, pp. 1-2.
- "Heart Rate Monitors", <http://www.healthgoods.com>, downloaded Dec. 4, 2004.
- "How is the UV Index Calculated", SunWise Program, U.S. Environmental Protection Agency, <http://www.epa.gov/sunwise/uvcalc.html>, downloaded Oct. 14, 2004, pp. 1-2.
- "Industrial UV Measurements", APA Optics, Inc., <http://www.apaoptics.com/uv/>, downloaded Jul. 12, 2004, p. 1.
- "Motorola and Oakley Introduce First Bluetooth Sunglasses-Cutting Edge RAZRWire Line Offers Consumers On-The-Go Connections", Motorola Mediacenter-Press Release, Feb. 14, 2005, pp. 1-2.
- "Oakley Thump: Sunglasses Meet MP3 Player", with image, <http://news.designtechnica.com/article4665.html>, Jul. 13, 2004.
- "Personal UV monitor," Optics.org, <http://optics.org/articles/news/6/6/7/1> (downloaded Dec. 20, 2003), Jun. 9, 2000, pp. 1-2.
- "SafeSun Personal Ultraviolet Light Meter", <http://healthchecksystems.com/safesun.htm>, downloaded Jul. 12, 2004, pp. 1-4.
- "SafeSun Personal UV Meter", Introduction, Optix Tech Inc., <http://www.safesun.com>, downloaded Feb. 5, 2004, pp. 1-2.
- SafeSun Personal UV Meter, features, Optix Tech Inc., <http://www.safesun.com/features.html>, downloaded May 1, 2004, pp. 1-2.
- "Sharper Image—The FM Pedometer", e-Corporate Gifts.com, <http://www.e-corporategifts.com/sr353.html>, downloaded Jan. 22, 2005, pp. 1-2.
- "Sun UV™ Personal UV Monitor", APA Optics, Inc., <http://www.apaoptics.com/sunuv/uvfacts.html>, downloaded Dec. 20, 2003, pp. 1-3.
- "Ultraviolet Light and Sunglasses", Oberon's frequently Asked Questions, <http://www.oberoncompany.com/OBEnglish/FAQUV.html>, downloaded Feb. 5, 2004, pp. 1-2.
- "Ultraviolet Light Sensor", Barrett & Associates Engineering, http://www.barrettengineering.com/project_uv.htm, downloaded Feb. 5, 2004, pp. 1-3.
- "Ultraviolet Radiation (UVR)", Forum North, Ontario Ministry of Labour, <http://www3.mb.sympatico.ca/~ericc/ULTRAVIOLET%20RADIATION.htm>, downloaded Feb. 5, 2004, pp. 1-6.
- "What Are Gripples?", Gripping Eyewear, Inc., <http://www.grippingeyewear.com/whatare.html>, downloaded Nov. 2, 2005.
- "With Racing Heart", Skaloud et al., GPS World, Oct. 1, 2001, <http://www.gpsworld.com/gpsworld/content/printContentPopup.jsp?id=1805>, pp. 1-5.
- Abrisa Product Information: Cold Mirrors, Abrisa, Jun. 2001, p. 1.
- Abrisa Product Information: Commercial Hot Mirror, Abrisa, Jun. 2001, p. 1.
- Alps Spectacle, Air Conduction Glass, Bone Conduction Glass, <http://www.alps-inter.com/spec.htm>, downloaded Dec. 10, 2003, pp. 1-2.
- Altimeter and Compass Watches, <http://store.yahoo.com/snowshack/altimeter-watches.html>, downloaded May 3, 2004, pp. 1-2.
- Bone Conduction Headgear HG16 Series, "Voiceducer," <http://www.temco-j.co.jp/html/English/HG16.html>, downloaded Dec. 10, 2003, pp. 1-3.
- Carnoy, David, "The Ultimate MP3 Player for Athletes? Could be.", CNET Reviews, May 14, 2004, pp. 1-4.
- Clifford, Michelle A., "Accelerometers Jump into the Consumer Goods Market", Sensors Online, <http://www.sensorsmag.com>, Aug. 2004.
- Comfees.com, Adjustable Sports Band Style No. 1243, <http://shop.store.yahoo.com/comfees/adsporbanssty.html>, downloaded Apr. 18, 2003, pp. 1-2.
- Cool Last Minute Gift Ideas!, UltimateFatBurner Reviews and Articles, <http://www.ultimatefatburner.com/gift-ideas.html>, downloaded May 10, 2005, pp. 1-3.
- Dickie et al. "Eye Contact Sensing Glasses for Attention-Sensitive Wearable Video Blogging," Human Media Lab, Queen's University, Kingston, ON K7L 3N6, Canada, est. Apr. 2004, pp. 1-2.
- Dixen, Brian, "ear-catching", Superstest, Mobil, Apr. 2003 (estimated), pp. 37-41.
- Global Solar UV Index, A Practical Guide, World Health Organization, 2002, pp. 1-28.
- Grobart, Sam, "Digit-Sizing Your Computer Data", News Article, Sep. 2004, p. 1.
- Life Monitor V1.1, Rhusoft Technologies Inc., <http://www.rhusoft.com/lifemonitor/>, Mar. 1, 2003, pp. 1-6.
- Manes, Stephen, "Xtreme Cam", Forbes Magazine, Sep. 5, 2005, p. 96.
- Mio, PhysiCal, <http://www.gophysical.com/>, downloaded Jan. 27, 2004, 5 pages.
- Monitoring Athletes Performance—2002 Winter Olympic News from KSL, Jan. 23, 2002, <http://2002.ksl.com/news-3885i>, pp. 1-3.
- Niwa, "UV Index Information", <http://www.niwa.cri.nz/services/uvozone/uvi-info>, downloaded Jul. 15, 2004, pp. 1-2.
- NuVision 60GX Steroscopic Wireless Glasses, Product Information, NuVision by MacNaughton, c. 1997, MacNaughton, Inc., pp. 1-2.
- Pärkkä, Juha, et al., "A Wireless Wellness Monitor for Personal Weight Management", VTT Information Technology, Tampere, Finland, Nov. 2000, p. 1.
- Pedometer, Model HJ-112, Omron Instruction Manual, Omron Healthcare, Inc., 2003, pp. 1-27.
- PNY Announces Executive Attaché Usb 2.0 Flash Drive and Pen Series, Press Release, PNY Technologies, Las Vegas, Jan. 8, 2004, pp. 1-2.
- PNY Technologies, "Executive Attaché" <http://www.pny.com/products/flash/execattache.asp> downloaded Nov. 16, 2005.
- Polar WM41 and 42 weight management monitor, http://www.simplesports/polar/weight_management/wm41-42.htm, downloaded Jan. 28, 2004, pp. 1-3.
- Questions Answers, Pedometer.com, <http://www.pedometer.com>, downloaded May 5, 2005.
- RazrWire, copyright Motorola, Inc., Jul. 2005, 1 page.
- SafeSun Personal UV Meter, Scientific Data, Optix Tech Inc., <http://www.safesun.com/scientific.html>, downloaded May 1, 2004, pp. 1-3.
- SafeSun Sensor, User's Manual, Optix Tech Inc., Jun. 1998, 2 pages.
- SafeSun, Personal UV Meter, "Technical Specifications", Optix Tech Inc., <http://www.safesun.com/technical.html>, downloaded Jul. 12, 2004, pp. 1-2.
- SafeSun, Personal UV Meter, Experiments, Optix Tech Inc., <http://www.safesun.com/experiments.html>, downloaded Feb. 5, 2004, pp. 1-2.
- Shades of Fun, Blinking Light Glasses, <http://www.shadesoffun.com/Nov/Novpgs-14.html>, downloaded Jul. 9, 2005, pp. 1-4.
- SportLine Fitness Pedometer-Model 360, UltimateFatBurner Superstore, http://www.ultimatefatburner-store.com/ac_004.html, downloaded May 10, 2005, pp. 1-2.
- Steele, Bonnie G. et al., "Bodies in motion: Monitoring daily activity and exercise with motion sensors in people with chronic pulmonary disease", VA Research & Development, Journal of Rehabilitation Research & Development, vol. 40, No. 5, Sep./Oct. 2003, Supplement 2, pp. 45-58.
- Stevens, Kathy, "Should I Use a Pedometer When I Walk?", Healthon/WebMD, Apr. 14, 2000.
- Sundgot, Jørgen "2nd-gen Motorola Bluetooth headset", InfoSync World, Mar. 1, 2003, <http://www.infosync.no/news/2002/n/2841.html>, pp. 1-2.

(56)

References Cited

OTHER PUBLICATIONS

SunSensors, Segan Industries, Inc., <http://www.segan-ind.com/sunsensor.htm>, downloaded Feb. 5, 2004, pp. 1-3.
SunUV™, Personal UV Monitor User's Guide, APA Optics, Inc., 2003 pp. 1-52.
SunUV™, Personal UV Monitor, APA Optics, Inc., <http://www.apaoptics.com/sunuv/models.html>, downloaded Dec. 20, 2003.
Talking Pedometer, Sportline, Inc., Jun. 2001 (Possibly earlier), 1 page.
The unofficial ELSA 3D Revelator page, Dec. 30, 1999, pp. 1-15.
Top Silicon PIN Photodiode, PD93-21C, Technical Data Sheet, Everlight Electronics Co., Ltd., 2004, pp. 1-9.
UV Light Meter, UVA and UVB measurement, UV-340, Instruction Manual, Lutron, Jun. 2003 (estimated), pp. 1-5.
UV-Smart, UVA/B Monitor, Model EC-960-PW, Instruction Manual, Tanita Corporation of America, Inc., downloaded Nov. 16, 2001.
Vitaminder Personal Carb Counter, <http://www.auravita.com/products/AURA/ORBU11420.asp>. Downloaded Nov. 15, 2005, pp. 1-4.
Yamada et al. "Development of an eye-movement analyser possessing functions for wireless transmission and autocalibration," Med. Biol. Eng. Comput., No. 28, v.4, Jul. 28, 1990, <http://link.springer.com/article/10.1007%2FBF02446149?LI=true>, pp. 1-2.
Notice of Allowance for U.S. Appl. No. 13/367,346, dated Aug. 15, 2014.

Notice of Allowance for U.S. Appl. No. 13/367,346, dated Mar. 19, 2015.
Office Action for U.S. Appl. No. 13/831,512, dated Jul. 2, 2014.
Office Action for U.S. Appl. No. 13/831,512, dated Jan. 21, 2015.
Office Action for U.S. Appl. No. 13/831,512, dated May 29, 2015.
Office Action for U.S. Appl. No. 13/831,419, dated Apr. 27, 2015.
Office Action for U.S. Appl. No. 13/831,419, dated Aug. 12, 2015.
Office Action for U.S. Appl. No. 13/831,445, dated Feb. 20, 2015.
Office Action for U.S. Appl. No. 13/831,512, dated Feb. 24, 2016.
Notice of Allowance for U.S. Appl. No. 13/831,419, dated Jan. 28, 2016.
Office Action for U.S. Appl. No. 13/831,419, dated Apr. 28, 2016.
Notice of Allowance for U.S. Appl. No. 13/955,336, dated Apr. 28, 2014.
Notice of Allowance for U.S. Appl. No. 13/955,336, dated Aug. 18, 2014.
Notice of Allowance for U.S. Appl. No. 13/955,336, dated Oct. 7, 2014.
Notice of Allowance for U.S. Appl. No. 13/831,512, dated Aug. 1, 2016.
Office Action for U.S. Appl. No. 14/715,501, dated Oct. 17, 2016.
Notice of Allowance for U.S. Appl. No. 13/831,512, dated Oct. 25, 2016.
Office Action for U.S. Appl. No. 13/831,419, dated Nov. 17, 2016.
Notice of Allowance for U.S. Appl. No. 13/831,445, dated Oct. 21, 2016.

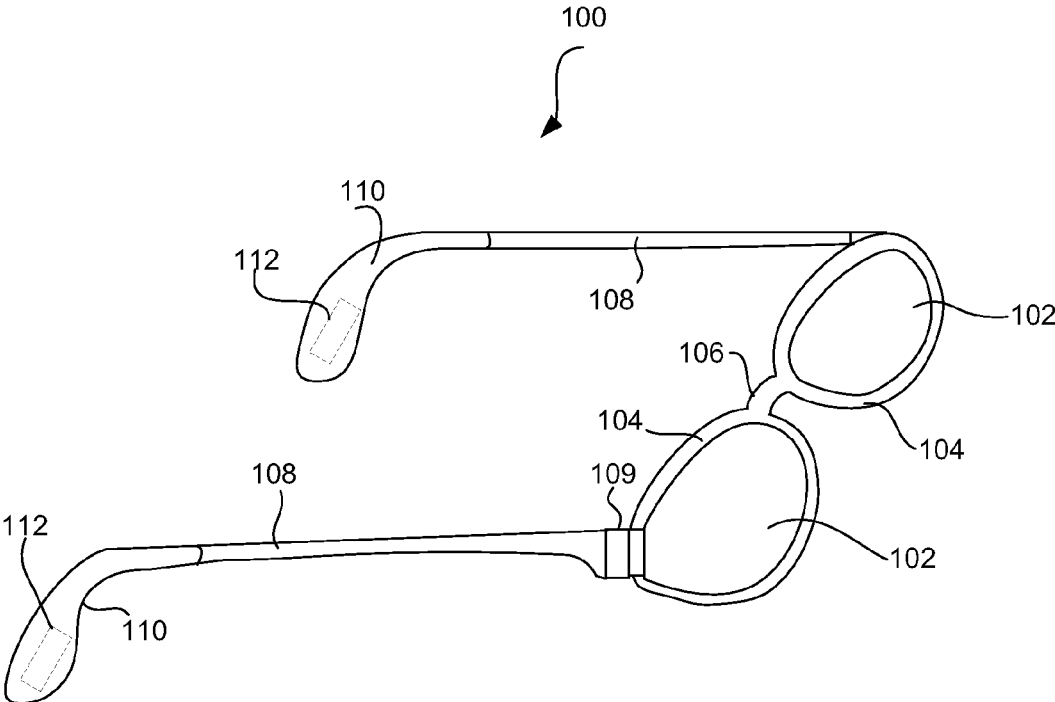


FIG. 1

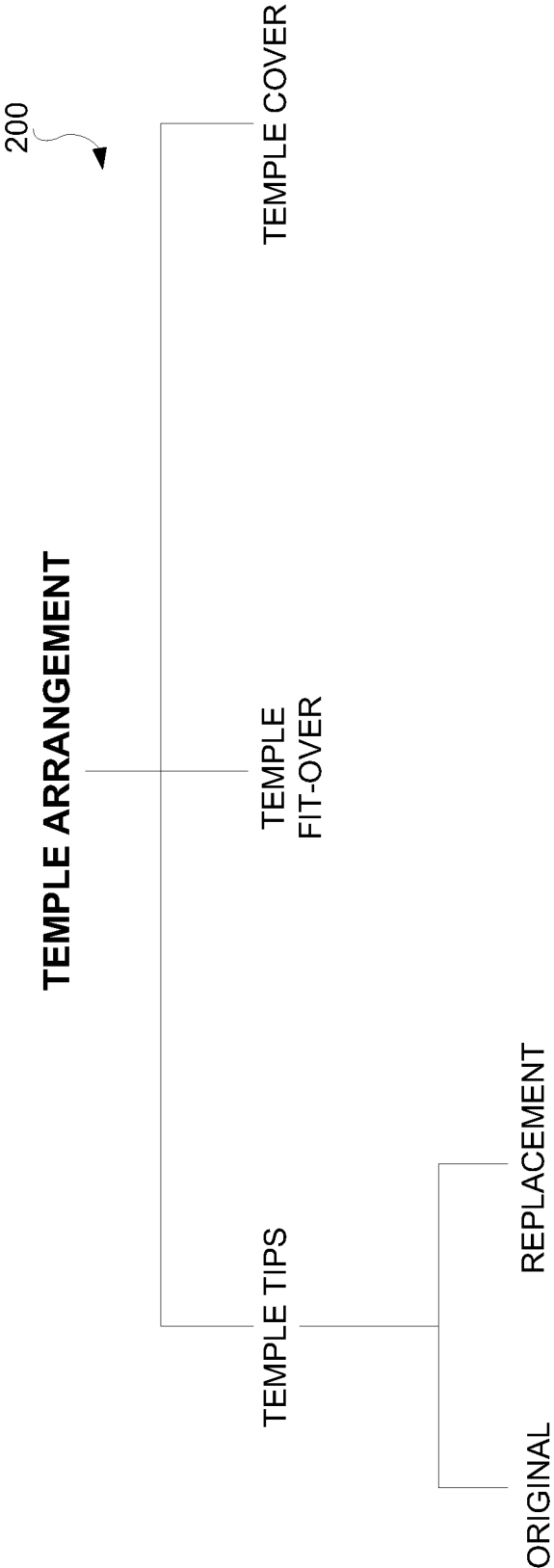


FIG. 2

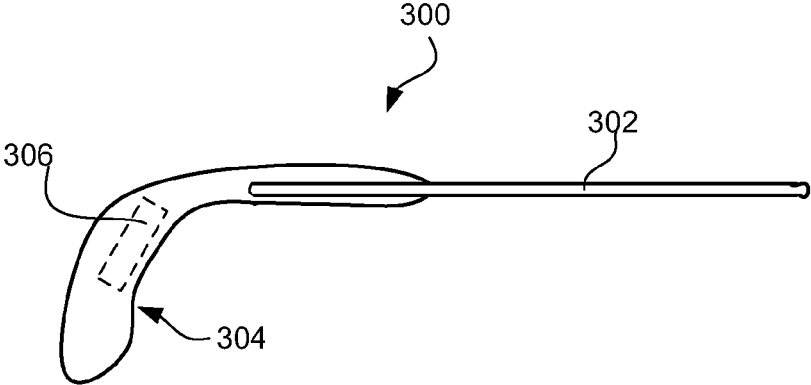


FIG. 3A

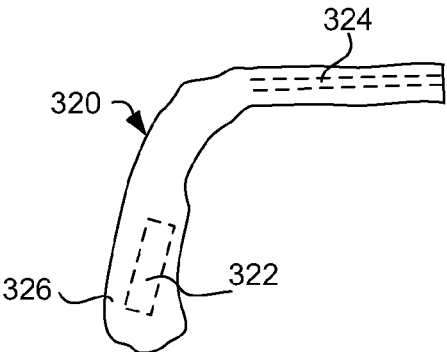


FIG. 3B

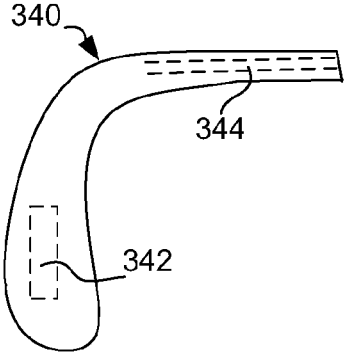


FIG. 3C

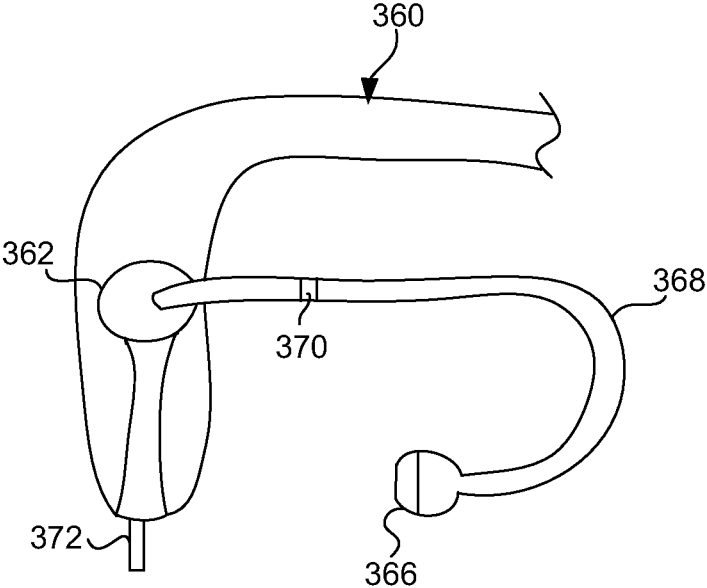


FIG. 3D

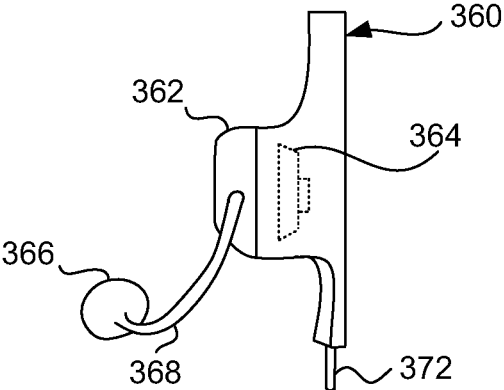


FIG. 3E

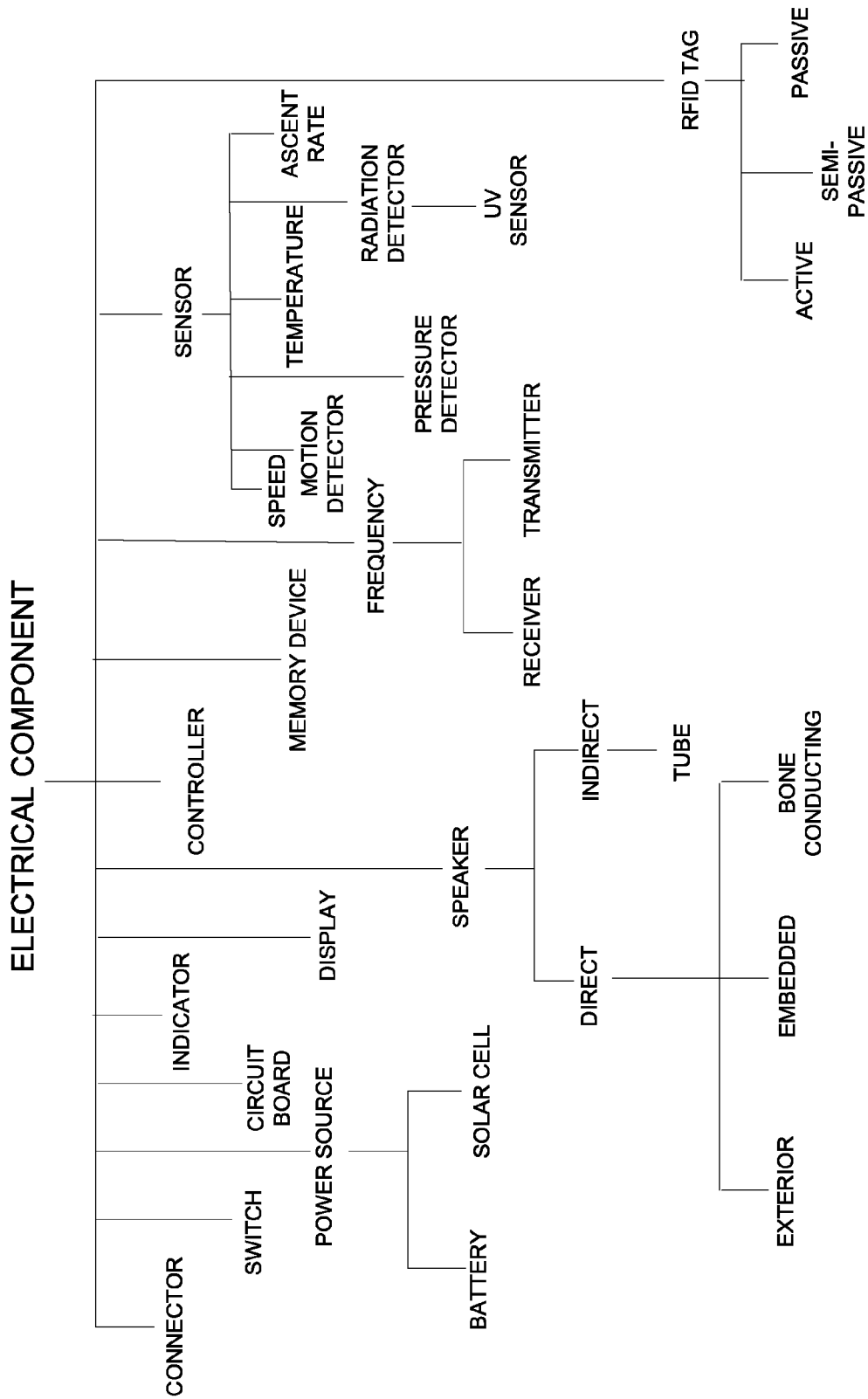


FIG. 4

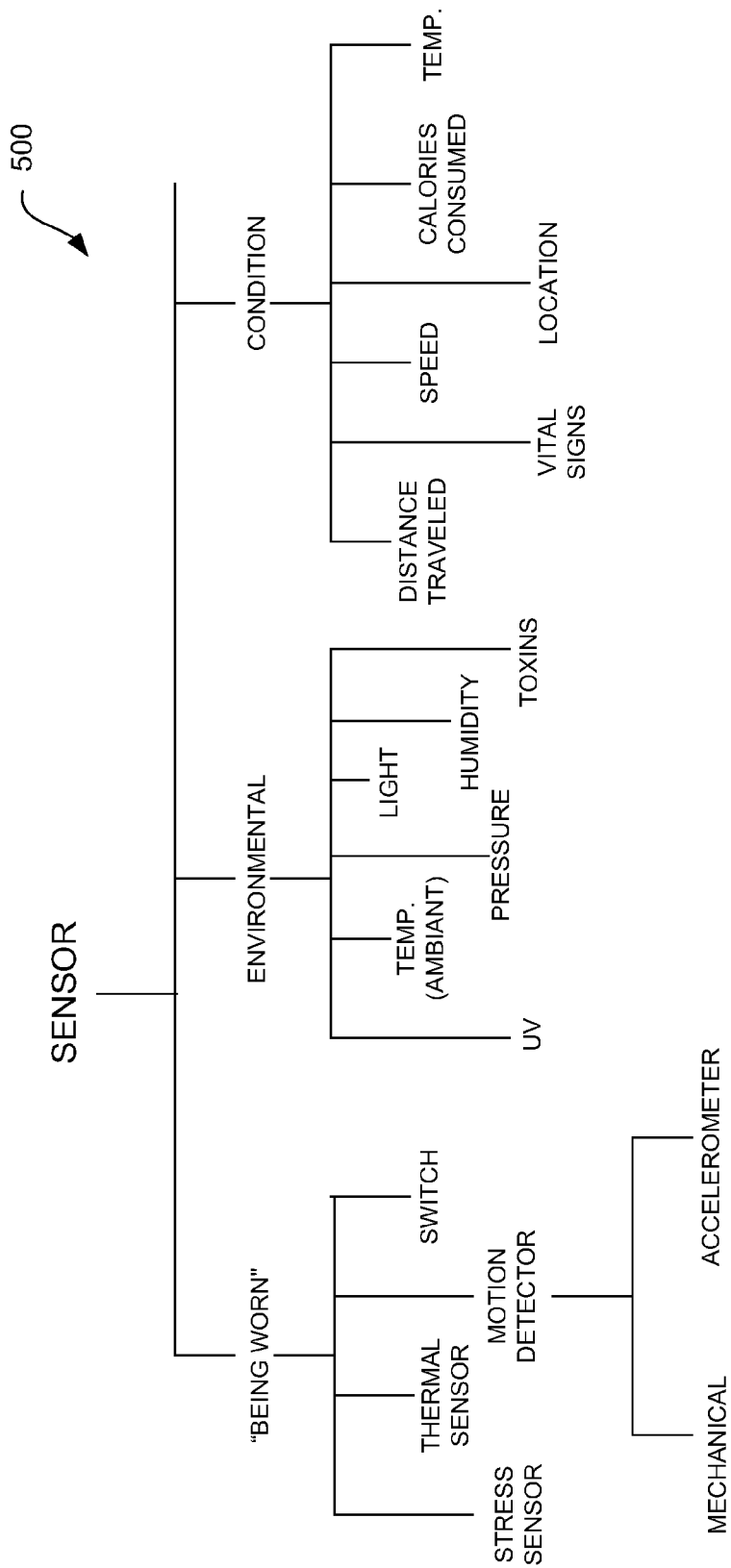


FIG. 5

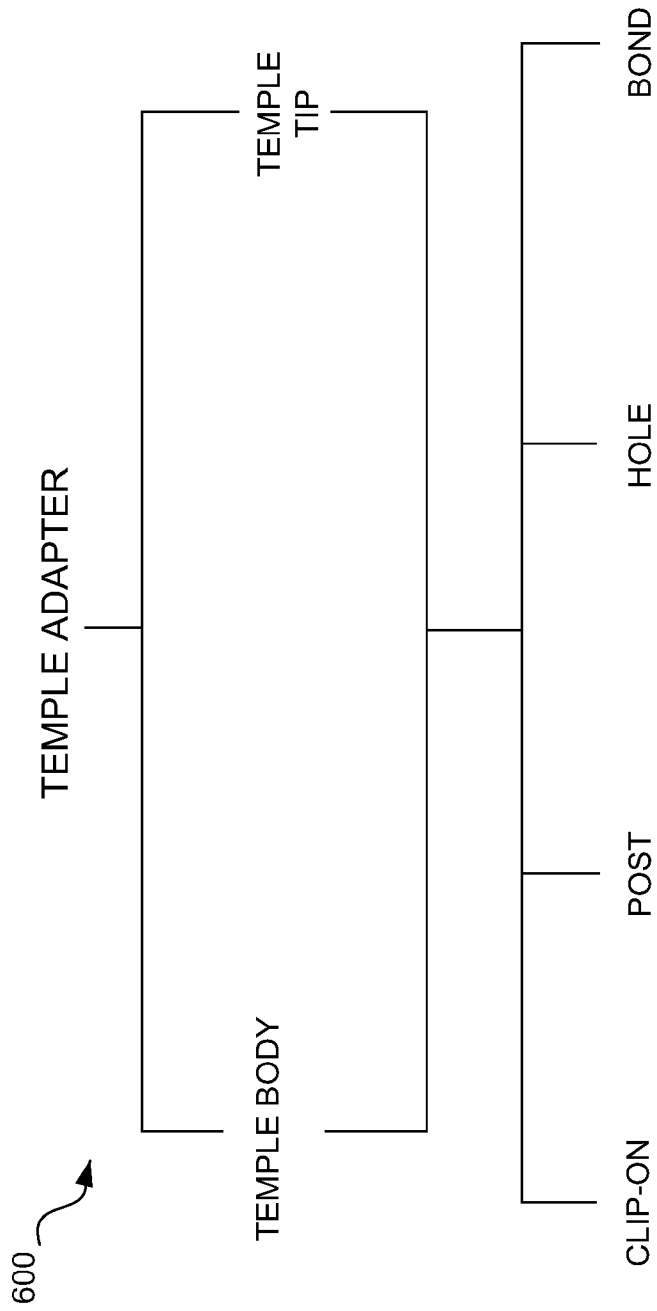
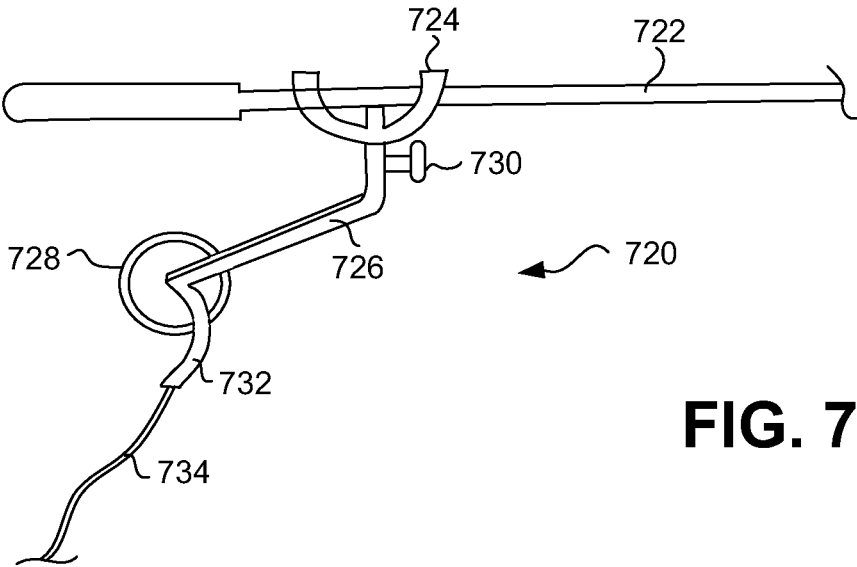
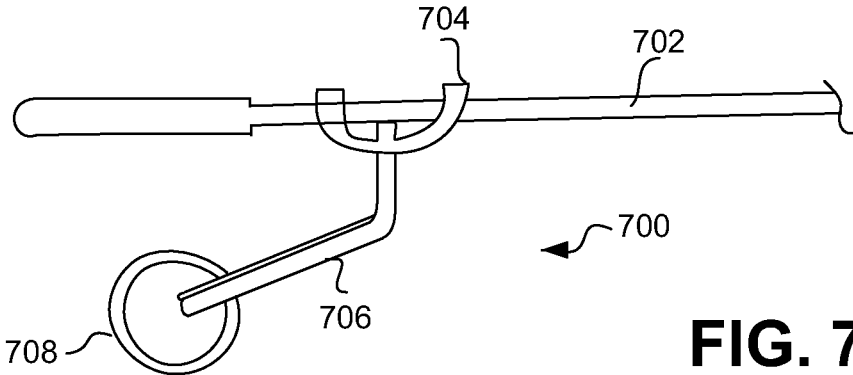


FIG. 6



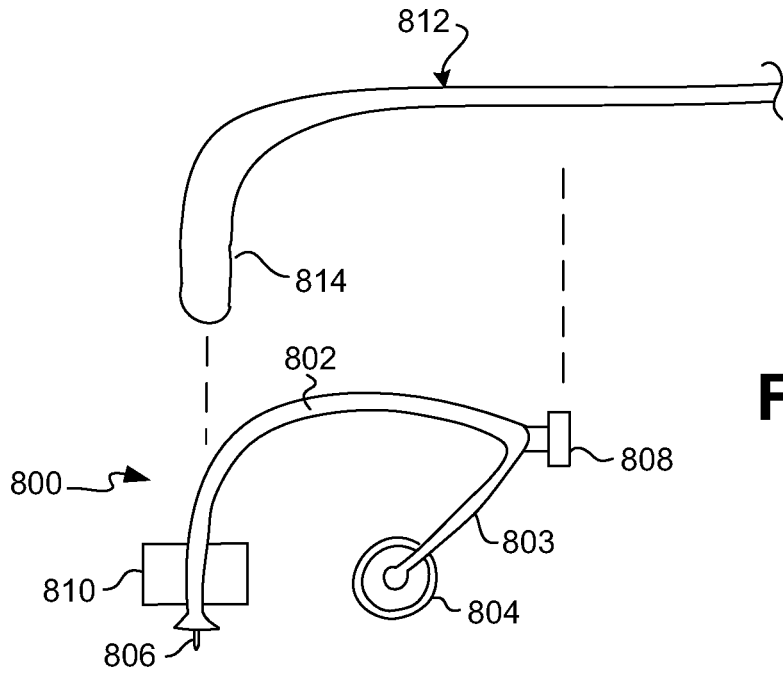


FIG. 8A

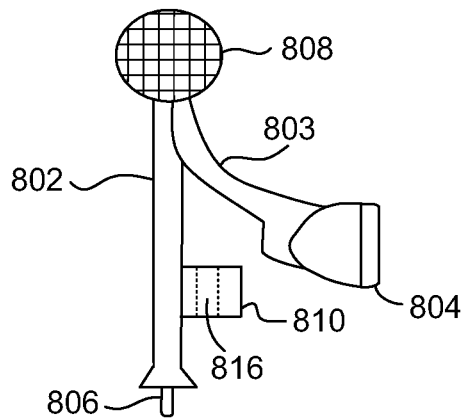


FIG. 8B

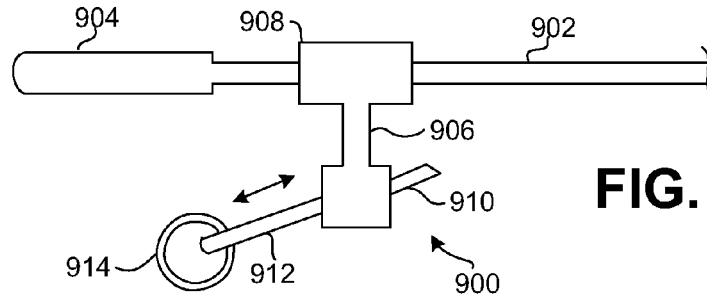


FIG. 9A

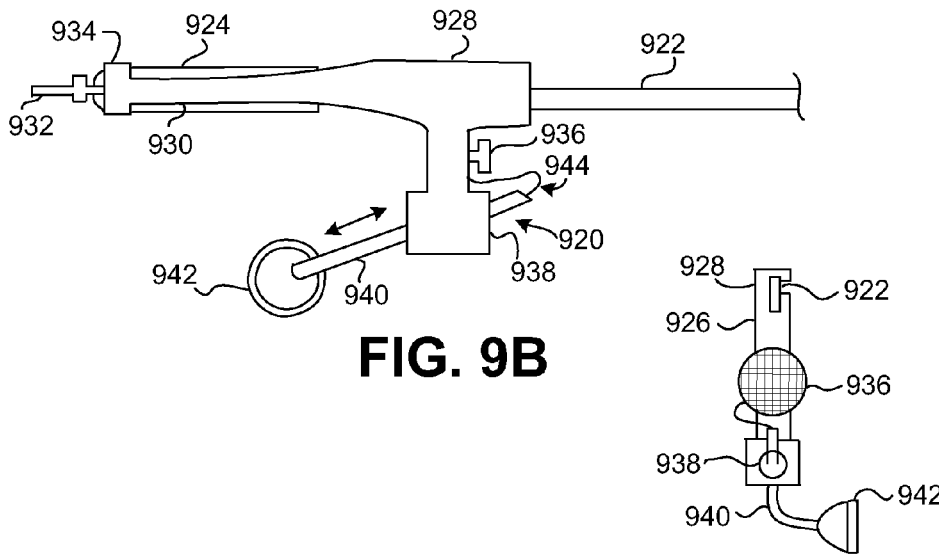


FIG. 9B

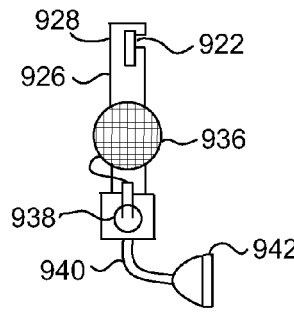


FIG. 9C

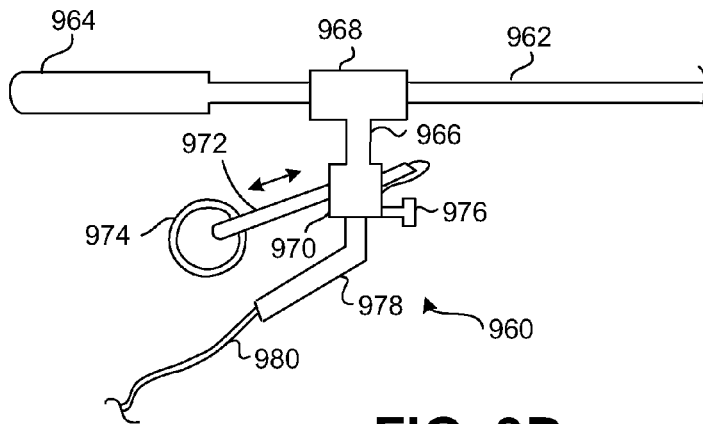


FIG. 9D

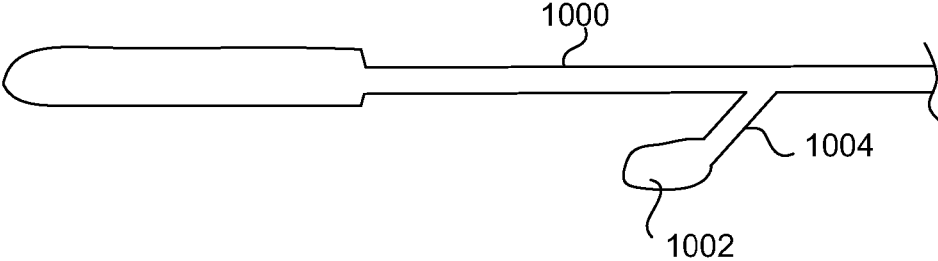


FIG. 10A

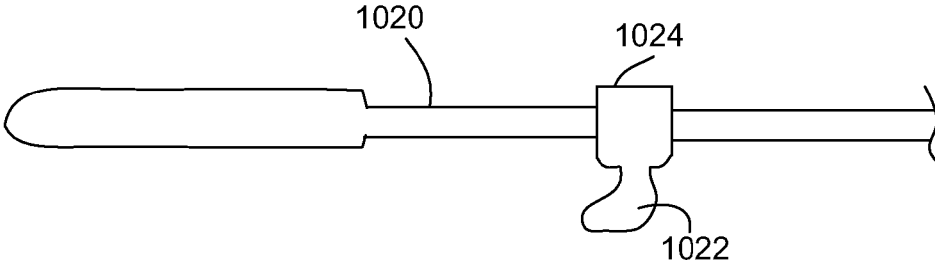


FIG. 10B

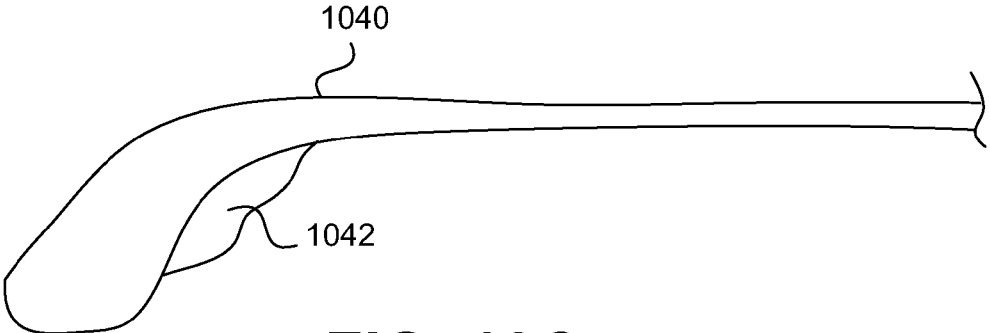


FIG. 10C

EYEWEAR SUPPORTING EMBEDDED ELECTRONIC COMPONENTS

CROSS-REFERENCE TO RELATED APPLICATIONS

This application is a continuation of U.S. patent application Ser. No. 13/955,336, filed Jul. 31, 2013, and entitled "EYEWEAR SUPPORTING BONE CONDUCTING SPEAKER," now U.S. Pat. No. 8,905,542, which is hereby incorporated herein by reference, which in turn is a continuation of U.S. patent application Ser. No. 13/085,402, filed Apr. 12, 2011, and entitled "EYEWEAR SUPPORTING AFTER-MARKET ELECTRICAL COMPONENTS," now U.S. Pat. No. 8,500,271, which is hereby incorporated by reference, which in turn is a continuation of U.S. patent application Ser. No. 11/183,269, filed Jul. 15, 2005, and entitled "EYEWEAR SUPPORTING AFTER-MARKET ELECTRICAL COMPONENTS," now U.S. Pat. No. 7,922,321, which is hereby incorporated herein by reference, which in turn is a continuation-in-part of U.S. patent application Ser. No. 10/964,011, filed Oct. 12, 2004, and entitled "TETHERED ELECTRICAL COMPONENTS FOR EYEGLASSES," now U.S. Pat. No. 7,192,136, which is hereby incorporated herein by reference, which in turn claims priority to each of: (i) U.S. Provisional Patent Application No. 60/509,631, filed Oct. 9, 2003, and entitled "TETHERED ELECTRICAL COMPONENTS FOR EYEGLASSES," which is hereby incorporated herein by reference; (ii) U.S. Provisional Patent Application No. 60/527,565, filed Dec. 8, 2003, and entitled "ADAPTABLE COMMUNICATION TECHNIQUES FOR ELECTRONIC DEVICES," which is hereby incorporated herein by reference; (iii) U.S. Provisional Patent Application No. 60/562,798, filed Apr. 15, 2004, entitled "EYEWEAR WITH ULTRAVIOLET DETECTION SYSTEM," and which is hereby incorporated herein by reference; (iv) U.S. Provisional Patent Application No. 60/583,169, filed Jun. 26, 2004, entitled "ELECTRICAL COMPONENTS FOR USE WITH EYEWEAR, AND METHODS THEREFOR," and which is hereby incorporated herein by reference; (v) U.S. Provisional Patent Application No. 60/592,045, filed Jul. 28, 2004, entitled "EYEGLASSES WITH A CLOCK OR OTHER ELECTRICAL COMPONENT," and which is hereby incorporated herein by reference; and (vi) U.S. Provisional Patent Application No. 60/605,191, filed Aug. 28, 2004, entitled "ELECTRICAL COMPONENTS FOR USE WITH EYEWEAR, AND METHODS THEREFOR," and which is hereby incorporated herein by reference.

This application, by way of U.S. patent application Ser. No. 11/183,269, also claims priority to each of: (i) U.S. Provisional Patent Application No. 60/592,045, filed Jul. 28, 2004, entitled "EYEGLASSES WITH A CLOCK OR OTHER ELECTRICAL COMPONENT," and which is hereby incorporated herein by reference; (ii) U.S. Provisional Patent Application No. 60/605,191, filed Aug. 28, 2004, entitled "ELECTRICAL COMPONENTS FOR USE WITH EYEWEAR, AND METHODS THEREFOR," and which is hereby incorporated herein by reference; (iii) U.S. Provisional Patent Application No. 60/618,107, filed Oct. 12, 2004, and entitled "TETHERED ELECTRICAL COMPONENTS FOR EYEGLASSES," which is hereby incorporated herein by reference; (iv) U.S. Provisional Patent Application No. 60/620,238, filed Oct. 18, 2004, entitled "EYEGLASSES WITH HEARING ENHANCED AND OTHER AUDIO SIGNAL-GENERATING CAPABILITIES," and which is hereby incorporated herein by refer-

ence; (v) U.S. Provisional Patent Application No. 60/647,836, filed Jan. 31, 2005, and entitled "EYEGLASSES WITH HEART RATE MONITOR," which is hereby incorporated herein by reference; and (vi) U.S. Provisional Patent Application No. 60/647,826, filed Jan. 31, 2005, and entitled "EYEWEAR WITH ELECTRICAL COMPONENTS," which is hereby incorporated herein by reference.

In addition, this application is related to each of: (i) U.S. patent application Ser. No. 10/822,218, filed Apr. 12, 2004, and entitled "EYEGLASSES FOR WIRELESS COMMUNICATIONS," now U.S. Pat. No. 7,792,552, which is hereby incorporated herein by reference; (ii) U.S. patent application Ser. No. 10/964,011, filed Oct. 12, 2004, and entitled "TETHERED ELECTRICAL COMPONENTS FOR EYEGLASSES," now U.S. Pat. No. 7,192,136, which is hereby incorporated herein by reference; (iii) U.S. patent application Ser. No. 11/006,343, filed Dec. 7, 2004, and entitled "ADAPTABLE COMMUNICATION TECHNIQUES FOR ELECTRONIC DEVICES," now U.S. Pat. No. 7,116,976, which is hereby incorporated herein by reference; (iv) U.S. patent application Ser. No. 11/078,855, filed Mar. 11, 2005, and entitled "EYEWEAR WITH RADIATION DETECTION SYSTEM," now U.S. Pat. No. 7,500,746, which is hereby incorporated herein by reference; (v) U.S. patent application Ser. No. 11/078,857, filed Mar. 11, 2005, and entitled "RADIATION MONITORING SYSTEM," which is hereby incorporated herein by reference; (vi) U.S. patent application Ser. No. 11/183,283, filed Jul. 15, 2005, and entitled "EVENT EYEGLASSES," which is hereby incorporated herein by reference; (vii) U.S. patent application Ser. No. 11/183,262, filed Jul. 15, 2005, and entitled "EYEGLASSES WITH HEARING ENHANCED AND OTHER AUDIO SIGNAL-GENERATING CAPABILITIES," now U.S. Pat. No. 7,760,898, which is hereby incorporated herein by reference; (viii) U.S. patent application Ser. No. 11/183,256, filed Jul. 15, 2005, and entitled "EYEGLASSES WITH ELECTRICAL COMPONENTS," now U.S. Pat. No. 7,500,747, which is hereby incorporated herein by reference; (ix) U.S. patent application Ser. No. 11/183,263, filed Jul. 15, 2005, and entitled "EYEGLASSES WITH A CLOCK OR OTHER ELECTRICAL COMPONENT," now U.S. Pat. No. 7,380,936, which is hereby incorporated herein by reference; and (x) U.S. patent application Ser. No. 11/183,276, filed Jul. 15, 2005, and entitled "EYEGLASSES WITH ACTIVITY MONITORING," now U.S. Pat. No. 7,255,437, which is hereby incorporated herein by reference.

BACKGROUND OF THE INVENTION

Traditionally, eyeglasses have not contained or made any use of electrical components. In recent years, attempts to include electrical components within eyeglasses have had limited success. Even incorporating a small electrical component, such as a microphone, into an eyeglass frame may not be a simple task because, for example, of the necessary electrical connections with the electrical component. Clearly, larger scale electrical components would be more difficult to be provided in or attached to eyeglass frames. Many eyeglasses frames tend to be very compact and lightweight and thus may not have a lot of space for electrical components. Moreover, since eyeglass frames are often fashionable items whose designs are important, there are substantial design tradeoffs involved with providing or attaching electrical components to eyeglass frames.

Even if electrical components are provided in an eyeglass frame, the ability to alter or change electrical components is

3

problematic. Conventionally, once an eyeglass frame is manufactured, electrical components embedded in the eyeglass frame may not be removed, nor can additional electrical components be added into the eyeglass frame. Attachment of electrical components to eyeglass frames has not proven to be reliable, design friendly or commercially successful.

Hence, there is a need for improved approaches to facilitate modifications or alterations to electrical components used with eyeglasses.

SUMMARY

Generally speaking, the invention pertains to techniques for providing eyewear with electrical components. The electrical components can provide electrical technology to eyewear (e.g., eyeglasses) without having to substantially compromise aesthetic design principles of the eyewear. Often, the electrical components can be attached to the eyewear as an after-market enhancement. The electrical components can operate independently or together with other electrical components provided elsewhere.

The electrical components can support signal capturing, signal processing, signal transmission, signal display, signal storage and/or power provision. The signals can be, for example, analog or digital signals. The electrical components can, for example, be used to provide audio output and/or audio pick-up. The electrical components may include and/or control one or more sensors to monitor and/or signal the conditions of a user of the eyewear. The electrical components may also include and/or control one or more operation indicators to signal operational status of at least some other electrical components. In addition, the electrical components can be or pertain to a circuit board or module, which includes a plurality of electrical components.

In one embodiment, the one or more electrical components support audio capabilities allowing a user to hear audio output. In another embodiment, the one or more electrical components support communication capabilities allowing a user to communicate with a communication device in a hands-free manner.

The invention can be implemented in numerous ways, including a method, system, device, apparatus, and a computer readable medium. Several embodiments of the invention are discussed below.

Other aspects and advantages of the invention will become apparent from the following detailed description taken in conjunction with the accompanying drawings which illustrate, by way of example, the principles of the invention.

BRIEF DESCRIPTION OF THE DRAWINGS

The invention will be readily understood by the following detailed description in conjunction with the accompanying drawings, wherein like reference numerals designate like structural elements, and in which:

FIG. 1 is a perspective view of a pair of glasses according to one embodiment of the invention.

FIG. 2 illustrates a diagram of a number of different embodiments of temple arrangements according to the invention.

FIG. 3A is a diagram of a temple arrangement according to one embodiment of the invention.

FIG. 3B is a diagram of a temple cover that at least partially covers a temple (e.g., temple and/or temple tip) according to one embodiment of the invention.

4

FIG. 3C is a diagram of a fit-over temple that at least partially fits over a temple (e.g., temple and/or temple tip) according to one embodiment of the invention.

FIGS. 3D and 3E are diagrams of a temple arrangement according to another embodiment of the invention.

FIG. 4 shows examples of different electrical components according to the invention.

FIG. 5 is a chart that depicts examples of sensors suitable for use according to the invention.

FIG. 6 illustrates a diagram of a number of different embodiments of temple adapters according to the invention.

FIG. 7A is a diagram of a temple adapter according to one embodiment of the invention.

FIG. 7B is a diagram of a temple adapter according to another embodiment of the invention.

FIGS. 8A and 8B are diagrams of a temple adapter according to another embodiment of the invention.

FIG. 9A is a diagram of a temple adapter according to one embodiment of the invention.

FIGS. 9B and 9C are diagrams of a temple adapter according to another embodiment of the invention.

FIG. 9D is a diagram of a temple adapter according to still another embodiment of the invention.

FIGS. 10A-10C are diagrams of a temple having a bone conducting element according to still other embodiments of the invention.

DETAILED DESCRIPTION OF THE INVENTION

The invention pertains to techniques for providing eyewear with electrical components. The electrical components can provide electrical technology to eyewear (e.g., eyeglasses) without having to substantially compromise aesthetic design principles of the eyewear. Often, the electrical components can be attached to the eyewear as an after-market enhancement. The electrical components can operate independently or together with other electrical components provided elsewhere.

One aspect of the invention relates to temple arrangements for use with eyeglasses. According to this aspect, a temple arrangement includes one or more electrical components. The one or more electrical components are attached to or at least partially embedded in the temple arrangement.

Another aspect of the invention relates to a temple adapter for use with eyeglasses. According to this aspect, a temple adapter includes one or more electrical components that are able to be mechanically (and optionally electrically) coupled to a temple (including a temple tip) of the eyeglasses.

The electrical components can support signal capturing, signal processing, signal transmission, signal display, signal storage and/or power provision. The signals can be, for example, analog or digital signals. The electrical components can, for example, be used to provide audio output and/or audio pick-up. The electrical components may include and/or control one or more sensors to monitor and/or signal the conditions of a user of the eyewear. The electrical components may also include and/or control one or more operation indicators to signal operational status of at least some other electrical components. In addition, the electrical components can be or pertain to a circuit board or module, which includes a plurality of electrical components.

In one embodiment, the one or more electrical components support audio capabilities allowing a user to hear audio output. In another embodiment, the one or more electrical components support communication capabilities

5

allowing a user to communicate with a communication device in a hands-free manner.

Embodiments of different aspects of the invention are discussed below with reference to FIGS. 1-10C. However, those skilled in the art will readily appreciate that the detailed description given herein with respect to these figures is for explanatory purposes as the invention extends beyond these limited embodiments.

FIG. 1 is a perspective view of a pair of glasses 100 according to one embodiment of the invention. The glasses 100 include a frame and a pair of lenses 102. The frame has lens holders 104 that hold the lenses 102 in position. The frame also has a bridge 106. The glasses 100 further include a pair of temples (or arms) 108. The temples 108 are considered part of the frame. As shown in FIG. 1, each of the temples 108 is coupled to one of the lens holders 104 by a hinge 109. In one embodiment, the temples 108 can be removed from the frame (e.g., at the hinge 109).

In addition, temple arrangements 110 are attached to the temples 108. Here, one or both of the temples 108 can include a temple arrangement 110. A temple arrangement 110 can include one or more electrical components 112. In one embodiment, the temple arrangements 110 can be considered separate parts that can be attached to respective temples 108. Once attached, the temple arrangements 110 can be considered part of, or an extension to, the temples 108.

By having one or more electrical components 112 in one or more of the temple arrangements 110, electrical capabilities can be provided to the glasses 100 without burdensome impact to the design of other parts of the frames. Moreover, by providing electrical components in one or more of the temple arrangements 112, electrical capabilities can be added to eyeglasses in an after-market manner. Still further, by replacing temple arrangements, a user could alter the electrical capabilities of his eyeglasses.

In one embodiment, the glasses 100 do not have any other embedded electrical components, such as within the frame, except those in one or both of the temple arrangements 112. In another embodiment, the glasses 100 include one or more other electrical components embedded or attached to the frame of the glasses 100 and the components are electrically coupled to the one or more electrical components 112 in one or both of the temple arrangements 110.

In different embodiments, the glasses 100 can be, for example, a pair of sunglasses, fit-over glasses, prescription glasses, reading glasses, or safety glasses.

FIG. 2 illustrates a diagram of a number of different embodiments of temple arrangements 200 according to the invention. A temple arrangement 200 can be a temple tip, a temple fit-over, or a temple cover. In one embodiment, a temple tip is a structure that attaches to a rearward portion of a temple. In one embodiment, a temple tip can pertain to an enclosure that grabs onto a rearward portion of a temple. A temple tip is particularly common for wire frame eyeglasses where the temple tip attaches to the rearward end of the temple and provides a surface suitable for positioning proximate to the user's ear. For example, FIG. 1 illustrates the temple arrangement 112 implemented as a temple tip.

In one embodiment, a temple tip is removable from its corresponding temple so that it can be replaced. The temple tip can be originally provided with the purchase of a pair of eyeglasses. Alternatively, the temple tip can be a replacement part that can be purchased separately and subsequently mounted onto a rearward portion of a temple of a pair of eyeglasses after removing any original temple tip. In another

6

embodiment, a temple tip is permanently held onto the corresponding temple, for example, by an adhesive (e.g., epoxy, glue, etc.).

In one embodiment, a temple fit-over fits over at least a portion of the rearward end of a temple. If the rearward end of the temple has a temple tip, at least a portion of the temple tip can be fitted over by the temple fit-over. In one embodiment, a temple cover slides over and at least partially covers a portion of the rearward end of a temple. If the rearward end of the temple has a temple tip, at least a portion of the temple tip can be covered by the temple cover.

A temple cover is typically made of a material that is more flexible than a temple fit-over. For example, a temple cover can be made of a fabric or other materials, such as a sock or sleeve; while a temple fit-over can be made of plastic.

A temple arrangement 200 can be made of the same or different materials than the temple or other parts of the frame of the pair of eyeglasses. To illustrate, a pair of glasses with a metal frame can have non-metallic temple tips. A temple arrangement 200 can be of a color that is the same as, or similar to, or different from, that of the temple.

A temple arrangement 200 can be held onto a temple by frictional force. For example, if the temple arrangement 200 is a temple fit-over, it can be held onto an existing temple or temple tip by frictional force. Here, the temple fit-over is often removable. In another embodiment, the temple arrangement 200 can be permanently held onto its corresponding temple or temple tip. For example, the temple arrangement can be permanently held onto the corresponding temple or temple tip, for example, by an adhesive (e.g., epoxy, glue, etc.).

Depending on applications, a temple arrangement can be of different shapes. The shape can depend on the type of glasses. For example, a temple arrangement for fit-over glasses can be bigger than a temple arrangement for prescription glasses. The shape of the temple arrangement can also depend on applications for the electronic component(s) that are fully or partially embedded in the temple arrangement. Of course, aesthetic reasons can also influence shape (e.g., design, size, style) of a temple arrangement.

In one embodiment, the temple arrangement is a structure that has at least one electrical component attached thereto or at least partially embedded therein. In another embodiment, all of the electrical components to be provided with the temple arrangement are at least partially embedded in the temple arrangement.

FIG. 3A is a diagram of a portion 300 of a pair of eyeglasses according to one embodiment of the invention. The portion 300 includes a temple 302 that is associated with a pair of eyeglasses. Over the end of the temple 302 that is opposite the associated lens holder, a temple tip 304 is provided. The temple tip 304 can, for example, be held to the temple 302 by frictional forces and/or adhesive. The temple tip 304 includes at least one electrical component 306 that is at least partially embedded therein. A wide range of functionalities can be provided by the at least one electrical component 306. The temple tip 304 can be considered separate from or part of the temple 302. For example, when the temple tip 304 is not attached to the temple 302, the temple tip 304 is considered a separate part. As another example, when the temple tip 304 is attached to the temple 302, the temple tip 304 can be considered separate from or part of the temple 302.

The temple tip 304 can be manufactured and delivered to resellers or retailers and thereafter sold attached to eyeglasses. Alternatively, the temple tip 304 can be separately provided as an optional replacement temple tip for an

7

original temple tip. Hence, after or during purchasing a pair of eyeglasses, upgrade of the eyeglasses can be had by replacing an existing temple tip with a replacement temple tip. The colors and shapes of the temple tip **304** can vary widely. In the after manufacturing environment, the reseller or retailer can be provided with a range of different colors and shapes so that a user can receive a replacement temple tip that reasonably matches the color and shape of the temple or that provides an altered appearance as desired by the user.

A number of embodiments have been described regarding one or more electrical components at least partially embedded in a pair of glasses. In one embodiment, one or more electrical components are at least partially embedded in a temple tip of a pair of glasses. Temple tips are relatively common for wire or metal frames which have wire or metal temples. The pair of glasses has a first and a second lens holders for receiving lenses. Each of the lens holders has a first side and a second side. The pair of glasses has a bridge element that couples the first side of the first lens holder to the second side of the second lens holder. The pair of glasses also includes a first temple and a second temple. The first temple is pivotally secured to the second side of the first lens holder through a joint, while the second temple is pivotally secured to the first side of the second lens holder through another joint. A temple typically has two ends, a first end and a second end. The first end can be the end that is pivotally secured to a lens holder through a joint, and the second end can be the other end of the temple. It is not uncommon that a temple includes a main body and an enclosure that grabs onto the main body of the temple. The second end is typically where the enclosure grabs onto the main body. The enclosure can be made of a different material than the main body of the temple. In one embodiment, such an enclosure is a temple tip, and there is an electrical component, partially or fully, embedded in the temple tip. There can also be a connector at the temple tip. In another embodiment, the temple tip can include a female connector. In still another embodiment, as a temple tip grabs onto the main body of the temple, a connector at the temple tip (such as a female connector) can make electrical contact with another connector (such as a male connector) at the main body of the temple. Typically, particularly before a pair of glasses has been extensively worn, the temple tip can be removed and re-inserted back on to the main body of the temple without much difficulty. Such a temple tip can be an after-market component, with different temple tips having different electrical components to serve different functions.

Besides a temple tip such as illustrated in FIG. 3A, a temple tip can also be effectively modified by a fit-over temple or temple cover.

FIG. 3B is a diagram of a temple cover **320** that at least partially covers a temple (e.g., temple and/or temple tip) according to one embodiment of the invention. As an example, the temple cover **320** can be made of a fabric or other material, such as a sock or sleeve, that slides over and at least partially covers a temple or a temple tip. The temple cover **320** can include at least one electrical component **322** that is either attached thereto or at least partially embedded therein. The temple cover **320** can also include an opening **324** so as to receive a temple or a temple tip. In one embodiment, the temple cover **320** is placed over a substantial portion of a temple tip, and the opening **324** can extend to a far end **326** so as to receive all or a substantial part of the temple tip. The temple cover **320** can, for example, be held to a temple or a temple tip by frictional forces and/or adhesive.

8

FIG. 3C is a diagram of a fit-over temple **340** that at least partially fits over a temple (e.g., temple and/or temple tip) according to one embodiment of the invention. For example, the fit-over temple **340** can at least partially fit-over a temple tip. The fit-over temple **340** includes at least one electrical component **342** that is either attached thereto or at least partially embedded therein. The fit-over temple **340** can also include an opening **344** so as to receive a temple or a temple tip. The depth and/or width of the opening **344** within the fit-over temple **340** can vary depending on the extent to which it is being fit over a temple or a temple tip. The fit-over temple **340** can, for example, be held to a temple or temple tip by frictional forces and/or adhesive. As an example, the fit-over temple **340** can be plastic or other material. The colors and shapes of the fit-over temple **340** can have a lot of variations.

A wide range of functionalities can be provided by the at least one electrical component (e.g., electrical component **322** and **342**). In the after manufacturing environment, the reseller or retailer can be provided with a range of different colors and shapes so that a user can receive a replacement temple cover or fit-over temple that reasonably matches the color and shape of the temple or that provides an altered appearance as desired by the user.

FIGS. 3D and 3E are diagrams of a temple arrangement **360** according to another embodiment of the invention. FIG. 3D is a side view of the temple arrangement **360**, and FIG. 3E is a front view of the temple arrangement **360**. In this embodiment, the temple arrangement **360** is a temple tip that can be attached to a temple (e.g., temple body) of a pair of eyeglasses. The temple arrangement **360** includes a speaker housing **362** allowing a speaker **364** to be at least partially embedded within the temple arrangement **360**. An audio sound output by the speaker **364** is coupled to an ear plug **366** by way of the speaker housing **362** and a tube **368**. Typically, the tube **368** is a flexible tube, such as a flexible plastic tube. A user of the eyeglasses having the temple arrangement **360** can place the ear plug **366** within her ear to facilitate coupling of the audio sound from the speaker **364** to the ear. The tube **368** can have a disconnection region **370** whereby at least a section of the tube **368** and the attached ear plug **366** can be removed from the temple arrangement **360**, such as when audio output is not being listened to. The tube **368** and/or the speaker housing **362** can also be capable of rotating with respect to the temple arrangement **360** to facilitate ease of use. Still further, the temple arrangement **360** can include a connector **372**, such as a male audio connector (e.g., 2.5 mm, stereo mini-phone connector). The connector **372** provides a means to electrically connect an external audio source to the speaker **364** within the temple arrangement **360**. For example, at least one wire (not shown) that is internal to the temple arrangement **360** can be used to electrically connect the speaker **364** to the connector **372**.

In one embodiment, an electrical component is a component of an electrical circuit or system, and the electrical circuit or system is for performing at least a desired, intended or predetermined function.

In one embodiment, a temple tip, fit-over temple or temple cover according to the invention can further include a connector or cable to facilitate electrical connection with the at least one electrical component that is either attached to a temple or a temple tip or at least partially embedded therein.

FIG. 4 shows examples of different electrical components according to the present invention. Different embodiments

of temple arrangements or temple adapters according to the invention can use one or more of these different electrical components.

In one embodiment, the electrical component is an electrical connector. The connector can be a male connector located at a temple tip. In another embodiment, the connector can be a female connector at a temple tip. For example, as a temple tip grabs onto the main body of its corresponding temple, a female connector at the temple tip can make electrical contact with a male connector at the temple. Examples of different types of connectors have previously been described in the related patent applications, which have been incorporated by reference.

In one embodiment, the embedded electrical component is an electrical switch, such as one or more of those previously described in the related patent applications, which have been incorporated by reference.

In one embodiment, one electrical component can be a power source. The power source can be a battery, a solar cell or other type of power source.

In one embodiment, one electrical component can include a circuit board. The circuit board can be a rigid or a flexible circuit board.

In one embodiment, one electrical component can be an indicator. The indicator can be audio, visual, or physical (e.g., vibration). For example, the indicator can signal an event or condition to a user of the glasses.

In one embodiment, one electrical component can be a display, such as a LCD display.

In one embodiment, one electrical component can be a speaker. The speaker can provide an audio output for the benefit of the wearer of the glasses. The speaker can directly transmit sound to a user, such as a speaker mounted on an exterior surface of an eyeglass frame, or partially or fully embedded in an eyeglass frame, or a bone conducting type of speaker. Alternatively, the speaker can indirectly transmit sound to a user, such as through the use of a tube to deliver audio output proximate to a user's ear.

In one embodiment, one electrical component can be a controller. The controller can, for example, be a microprocessor.

In one embodiment, one electrical component can be a memory device. The memory device can be non-volatile memory, such as FLASH memory. The data stored in the memory device can be user data or data provided by other electrical components.

In one embodiment, one electrical component is a frequency receiver or a frequency transmitter. They can be in the radio frequency range.

In one embodiment, one electrical component can be a sensor. The sensor can be a temperature sensor. The temperature sensor can be used to sense the temperature of the wearer. In one embodiment, such a temperature sensor is in a temple tip. In measuring the temperature, the user can further press the temple tip towards his head to ensure better connection. One can also put the temple under one's tongue to measure body temperature.

In other different embodiments, one electrical component can be a motion detector, a speed sensor, a rate of ascent (or descent) detector, a pressure detector, or a detector for radiation, such as an ultraviolet (UV) detector.

In one embodiment, one electrical component is a radio frequency identification (RFID) tag. A RFID tag typically includes a memory chip and a radio antenna. The memory chip usually has a small storage capacity and thus does not include a large amount of information. A portion of such information can provide identifying information for the

glasses. The memory chip may only have a few kilobytes, sufficient to encode information, such as a serial number, where and when the product (such as eyeglasses) was manufactured, and other relevant information.

The RFID tags can come in a number of configurations. For example, an active tag uses a battery-powered transponder to constantly emit signals which can carry information programmed into the memory chip. Active tags are more applicable to situations where readers are not close to the tags. A semi-passive tag likewise has a battery, but may not be activated until it receives a signal from a reader. They are more applicable to situations that do not need continuous connection and accessing. A passive tag has no battery; its antenna extracts power from a reader's radio wave signal to transmit the identifying information. Passive tags are typically relatively inexpensive, but may have to be within a few feet of a reader to extract power. The electrical component can be a passive RFID tag, or some other type of tag.

In one embodiment, one electrical component can be for locating the corresponding glasses. For example, the electrical component can produce a beeping tone when it receives a specific radio signal. A handheld device (such as a key chain accessory, can generate the specific radio signal (e.g., when a button is pushed). Through the beeping tone, one can locate the glasses.

As noted above, in one embodiment, the electrical component can be a sensor. More generally, a pair of glasses can include one or more sensors that can be used individually or in combination. FIG. 5 is a chart 500 that depicts examples of sensors suitable for use in or attached to the glasses.

In one embodiment, the sensor is a "being worn" sensor. The "being worn" sensor indicates whether the glasses are being worn by its user. The "being worn" operation can be performed using, for example, a thermal sensor, a motion detector, a stress sensor or a switch.

In one embodiment, a motion detector is used as a "being worn" sensor. A threshold can be set, such that if the amount of motion exceeds the threshold, the glasses are assumed to be worn. The motion detector can, for example, be achieved by a mechanical mechanism or an accelerometer.

In another embodiment, the "being worn" sensor includes two thermal sensors. One sensor can be at approximately the middle of a temple, such as in a region that touches the head of the user wearing the glasses. The other sensor can be at one end of the temple, the end that is close to its hinge. If the temperature differential between the two sensors is beyond a certain preset value, the glasses would be assumed to be worn. The differential is presumed to be caused by a person wearing the pair of glasses.

In yet another embodiment, the "being worn" sensor includes a stress sensor at the hinge of the temple. The assumption is that when the eyewear is worn, the hinge is typically slightly stretched because typically, the width of the head of the user is slightly wider than the width between the temples when the two temples are in the extended positions. If the value of the stress sensor is beyond a certain preset value, the glasses would be assumed to be worn.

In a further embodiment, the "being worn" sensor can be a switch. For example, at the hinge between a temple and its corresponding lens holder, there is a switch. When that temple is in its extended position, i.e., fully extended outwards, the switch is turned on. The switch can be a pin-type switch. When the temple is fully extended outwards, the pin is pressed. When both temples are fully extended outwards, in one embodiment, the glasses would be assumed to be worn by the user.

11

In one embodiment, another type of sensor is an environmental sensor. The environmental sensor can sense environmental conditions, such as one or more of radiation (e.g., ultraviolet radiation or light), temperature (e.g., ambient temperature), pressure, humidity and toxins (e.g., chemicals, etc.).

In another embodiment, another type of sensor is a condition sensor. The condition sensor can sense the conditions of the user of the glasses. Examples of condition sensors include sensing one or more of distance traveled, location, speed, calories consumed, temperature and vital signs associated with the user of the glasses. The distance traveled could represent the horizontal distance traveled or the vertical distance (i.e., elevation) traveled. The speed can be the rate of movement along the horizontal distance traveled and/or the vertical distance. In yet another embodiment, the condition sensor can indirectly sense emotional conditions of the user of the glasses.

The sensors can be provided in a redundant or fault-tolerant manner. For example, sensors can come in pairs in the glasses. When one malfunctions, the other one will take over its operation. In another embodiment, the sensor information can be processed in a differential manner to examine changes to the sensor information. The differential can be based on time. The sensors can be powered by a battery, solar energy, or kinetic energy. For reduced power consumption, the sensors can remain in a low-power state unless data is being acquired by the sensors. In yet another embodiment, two or more of the sensors can communicate with one another (wired or wirelessly) to exchange data or control information.

FIG. 6 illustrates a diagram of a number of different embodiments of temple adapters 600 according to the invention. The temple adapters 600 serve to adapt a temple (i.e., a temple body or temple tip) of a pair of eyeglasses to provide for at least one electrical component. In one embodiment, a temple adapter can clip onto a temple body or a temple tip. In another embodiment, a temple adapter can mount to a post provided on a temple body or a temple tip. In still another embodiment, a temple adapter can mount to a hole provided in a temple body or a temple tip. In yet another embodiment, a temple adapter can be bonded (or adhered) to a temple body or a temple tip.

The temple adapter is particularly well suited to adapt a pair of eyeglasses with communication components, such as a speaker and/or a microphone. As an example, a standard pair of eyeglasses can be transformed into an operational headset by attaching a temple adapter to a temple body or temple tip of the pair of eyeglasses, wherein the temple adapter includes at least one speaker and at least one microphone.

The temple adapter can be rigid or malleable. The benefit of being malleable is that the particular geometric arrangement/assembly of the temple adapter can be altered by its user for better user comfort or operation.

In one embodiment, the temple adapter is a structure that has at least one electrical component attached thereto or at least partially embedded therein. In another embodiment, all of the electrical components to be provided with the temple adapter are at least partially embedded in the temple adapter.

FIG. 7A is a diagram of a temple adapter 700 according to one embodiment of the invention. The temple adapter 700 attaches to a temple 702 (including any temple tip using a clip 704. The clip 704 can use force, such as an interference fit force or spring-induced force, to attach the temple adapter 700 to the temple 702. Besides the clip 704, the temple adapter 700 includes an angled arm 706 and an ear bud 708.

12

The angled arm 706 can be malleable. When a pair of eyeglasses associated with the temple 702 is being worn by a user, the ear bud 708 can be placed in or near the user's ear canal. The ear bud 708 contains a speaker and receives electrical signals via a wire, such wire can be provided internal or external to the temple adapter 700 and can originate at the temple 702 or external to the temple 702.

FIG. 7B is a diagram of a temple adapter 720 according to another embodiment of the invention. The temple adapter 720 attaches to a temple 722 (including any temple tip) using a clip 724. The clip 724 can use force, such as an interference fit force or spring-induced force, to hold the temple adapter 720 to the temple 722. Besides the clip 724, the temple adapter 720 includes an angled arm 726, an ear bud 728, a microphone 730, an extension arm 732 and a cord 734. In this embodiment, the cord 734 includes a wire that connects to the speaker within the ear bud 728 and another wire that connects to the microphone 730. There can be one or more conductors inside a given wire. For example, a wire might have one conductor serving as a signal line and another conductor serving as ground. Such wires can be provided internal to the extension arm 732 and the angled arm 726. The arm 732 can serve to guide the cord 734 away from the user's ear or rearward. The angled arm 726 can be malleable. The placement or position of the microphone 730 can vary with implementation. As shown in FIG. 7B, the microphone 730 is directed forward to a user's front when a pair of eyeglasses associated with the temple 722 are being worn. Alternatively, the microphone 730 could be directed outward away from the user's head when the pair of eyeglasses are being worn. When a pair of eyeglasses associated with the temple 722 is being worn by a user, the ear bud 728 can be placed in or near the user's ear canal. The ear bud 728 contains a speaker and receives electrical signals via a wire of the cord 734. The cord 734 can have another end (not shown) with a connector for coupling with an audio output device (e.g., radio, MP3 player) or a communication device (e.g., mobile phone).

FIGS. 8A and 8B are diagrams of a temple adapter 800 according to another embodiment of the invention. FIG. 8A is a side view of the temple adapter 800, and FIG. 8B is a front view of the temple adapter 800. The temple adapter 800 has a support body 802 which has a support arm 803. An ear bud 804 is attached to an end of the support arm 803. A connector 806, such as a male audio connector, is attached to one end of the support body 802. A microphone 808 can be optionally provided and attached to the support body 802 or the support arm 803. Additionally, an elastic member 810 can be provided to facilitate attachment of the support body 802 to a temple 812 of a pair of eyeglasses. The temple 812 can have a tip region 814, which can be referred to as a temple tip. When the temple adapter 800 is attached to the tip region 814 of the temple 812, the tip region 814 is placed in or through an opening 816 in the elastic member 810, as shown, for example, in FIG. 8B. The temple adapter 800 is thereby held in place relative to the tip region 814. Additionally, although not shown, the support body 802 would carry a first internal wire from the connector 806 to the microphone 808, and the support body 802 and the support arm 803 would carry a second internal wire from the connector 806 to the ear bud 804.

FIG. 9A is a diagram of a temple adapter 900 according to another embodiment of the invention. In FIG. 9A, a side-view of the temple adapter 900 is depicted. The temple adapter 900 attaches to a temple 902 of a pair of eyeglasses. The temple 902 can have a tip region 904, which can be referred to as a temple tip. The temple adapter 900 has a

support member **906**. A first end **908** of the support member **906** couples to the temple **902** of a pair of eyeglasses. In one embodiment, the first end **908** serves to attach the temple adapter **900** to the temple **902**. For example, the first end **908** can provide a clip, clamp, post, or hole to provide or assist with the attachment. As another example, the first end **908** can alternatively or additionally use an adhesive, bonding or fastener (e.g., hook and loop system, e.g., Velcro) to provide or assist with the attachment. A second end **910** of the support member **906** provides an opening through which an arm **912** extends. One end of the arm **912** has an ear bud **914** attached thereto. The arm **912** can be angled and/or malleable. When a pair of eyeglasses associated with the temple **902** is being worn by a user, the ear bud **914** can be placed in or near the user's ear canal. The ear bud **914** contains a speaker and receives electrical signals via a wire, such wire can be provided internal or external to the temple adapter **900** and can originate at the temple **902** or external to the temple **902**.

FIGS. **9B** and **9C** are diagrams of a temple adapter **920** according to still another embodiment of the invention. FIG. **9B** is a side view of the temple adapter **920**, and FIG. **9C** is a front view of the temple adapter **920**. The temple adapter **920** attaches to a temple **922** of a pair of eyeglasses. The temple **922** can have a tip region **924**, which can be referred to as a temple tip. The temple adapter **920** has a support member **926**. A first end **928** of the support member **926** couples to the temple **922** of a pair of eyeglasses. In one embodiment, the first end **928** serves to attach the temple adapter **920** to the temple **922**. For example, the first end **928** can provide a clip, clamp, post, or hole to provide or assist with the attachment. As another example, the first end **928** can alternatively or additionally use an adhesive, bonding or fastener (e.g., hook and loop system, e.g., Velcro) to provide or assist with the attachment. The first end **928** also has a bracket **930** having a connector **932** at one end, and an elastic member **934** for coupling about the tip region **924**. The connector **932**, such as a male audio connector, is attached to one end of the bracket **930**. A microphone **936** can be optionally provided and, for example, attached to the support body **926**.

A second end **938** of the support member **926** provides an opening through which an arm **940** extends. One end of the arm **940** has an ear bud **942** attached thereto. The arm **940** can be angled and/or malleable. The arm **940** is also repositionable within the opening at the second end **938** so as to permit user adjustment. When a pair of eyeglasses associated with the temple **922** is being worn by a user, the ear bud **942** can be placed in or near the user's ear canal. The ear bud **942** contains a speaker and receives electrical signals via a wire, such wire can be provided internal or external to the temple adapter **920** and can originate at the temple **902** or external to the temple **902**. In this embodiment, a wire **944** is shown as passing through the arm **940** to provide signals to the speaker within the ear bud **942**. More particularly, in one embodiment, although not shown in FIGS. **9B** and **9C**, a first wire would connect the speaker within the ear bud **942** to the connector **932** (e.g., wire **944**), and a second wire would connect the microphone **936** to the connector **932**. Such wires can be internal or external, or partially internal and partially external, to the temple adapter **920**.

FIG. **9D** is a diagram of a temple adapter **960** according to still another embodiment of the invention. In FIG. **9D**, a side-view of the temple adapter **960** is depicted. The temple adapter **960** attaches to a temple **962** of a pair of eyeglasses. The temple **962** can have a tip region **964**, which can be referred to as a temple tip. The temple adapter **900** has a

support member **966**. A first end **968** of the support member **966** couples to the temple **962** of a pair of eyeglasses. In one embodiment, the first end **968** serves to attach the temple adapter **960** to the temple **962**. For example, the first end **968** can provide a clip, clamp, post, or hole to provide or assist with the attachment. As another example, the first end **968** can alternatively or additionally use an adhesive, bonding or fastener (e.g., hook and loop system, e.g., Velcro) to provide or assist with the attachment. A second end **970** of the support member **966** provides an opening through which an arm **972** extends. One end of the arm **972** has an ear bud **974** attached thereto. The arm **972** can be angled and/or malleable. When a pair of eyeglasses associated with the temple **962** is being worn by a user, the ear bud **974** can be placed in or near the user's ear canal. The ear bud **974** contains a speaker and receives electrical signals via a wire, such wire can be provided internal or external to the temple adapter **960** and can originate at the temple **962** or external to the temple **962**. Further, the temple adapter **960** can include a microphone **976**. In this embodiment, the microphone **976** is attached to the support member **966**. In addition, an arm **978** is used to support an end of a cable **980** that is coupled to the arm **978**. The cable **980** can include at least one wire for the microphone **976** and one wire for the speaker within the ear bud **974**.

To the extent that any of the embodiments of the temple adapters discussed above use a microphone, a tube can be optionally attached to the microphone to facilitate voice pick-up of the user. One end of the tube can be placed over the microphone, and the other end of the tube is then positioned closer to the user's mouth than is the microphone. With a temple adapter on both temples, each providing a microphone and speaker to a pair of eyeglasses, only one temple adapter would typically make use of such a tube. Alternatively, the tube and the microphone could be replaced by a boom microphone.

FIG. **10A-10C** are diagrams of a temple having a bone conducting element according to still other embodiments of the invention. The bone conducting elements can replace a traditional speaker to provide audio output to a user. Although not shown, electrical signals would be internally or externally supplied to the bone conducting element.

FIG. **10A** illustrates a temple **1000** for a pair of eyeglasses. The temple **1000** includes a bone conducting element **1002** that can provide audio sound to a user by coupling vibrations to at least one bone of the user's face. The bone conducting element **1002** is held relative to the temple **1000** by an arm **1004**. Hence, in this embodiment, the temple **1000**, the arm **1004** and the bone conducting element **1002** can all be integrally formed.

FIG. **10B** illustrates a temple **1020** for a pair of eyeglasses. The temple **1020** includes a bone conducting element **1022** that can provide audio sound to a user by coupling vibrations to at least one bone of the user's face. The bone conducting element **1022** is held relative to the temple **1020** by a support **1024** that removably attaches to the temple **1020**.

FIG. **10C** illustrates a temple **1040** for a pair of eyeglasses. The temple **1040** includes a bone conducting element **1042** that can provide audio sound to a user by coupling vibrations to at least one bone of the user's head. In this embodiment, the bone conducting element **1042** is positioned in the vicinity of the user's ear, such as behind the user's ear. The placement of the bone conducting element **1042** in this embodiment can reduce impact to the design of the eyeglasses.

15

In one embodiment, the electrical components associated with a temple arrangement or a temple adapter is for enhancing the hearing of the person wearing the corresponding pair of glasses. There can be at least a microphone and a speaker in a temple arrangement or a temple adapter. The microphone can be close to an ear of the user when the glasses are worn by the user, and can be a directional microphone. The microphones can be a microphone in a temple adapter, such as the microphone 730 in FIG. 7B, 808 in FIG. 8A, 936 in FIG. 9B, or 976 in FIG. 9D. The microphones can be in a temple arrangement. The microphone in a temple arrangement can be attached to a temple tip, a temple fit-over or a temple cover. The microphones can be positioned to be in front of the user's ears so that the microphones will not be affected by the shadowing effect of the ears. The speaker can be inserted into the ear, as in some of the speakers previously described.

In another embodiment, there are two sets of microphones and speakers, such as in two temple arrangements or temple adapters. In the vicinity of each ear, there is a temple arrangement or temple adapter with its corresponding microphone and speaker. The microphones again can be directional, one pointing generally outwards in a position close to the left ear, and one pointing generally outwards in a position close to the right ear. Alternatively, the microphones can point forward.

The microphone and the speaker close to an ear do not have to be in very close proximity to each other, as in many hearing aids existing nowadays.

They can be spaced apart by, such as, one to several inches, with the microphone being directional and pointing to the front and to either the left or the right of the user, and with the speaker pointing toward or inserted into the corresponding ear of the user. Such a distance apart can significantly reduce feedback effect of existing hearing aids. Another advantage of such a hearing enhancement device is that users may not need to be fitted into ears with ear molds. In any case, additional details on hearing enhancement are further described in the related applications that have been incorporated herein by reference, such as U.S. Provisional Patent Application No. 60/620,238, filed Oct. 18, 2004, and entitled "EYEGASSES WITH HEARING ENHANCED AND OTHER AUDIO SIGNAL-GENERATING CAPABILITIES."

The various embodiments of the invention noted above, whether temple arrangement or temple adapter, can have a cable or cord attached or attachable thereto. The cable or cord has one or more conductors. The cable or cord can serve to provide electrical signals to or receive electrical signals from the temple arrangement or the temple adapter. In one embodiment, one end of a cable or cord attaches to a temple arrangement or temple adapter (either permanently or via a connector) and the other end of the cable or cord attaches (either permanently or via a connector) to an electronic device. As an example, the electronic device can be an audio output device (e.g., audio player) or a communication device (e.g., mobile telephone). In a first example, the cable or cord could provide a male audio (stereo) connector at one end, and a pair of female audio connectors at the opposite end, each being for use with a different temple. In a second example, the cable or cord could provide a set of connectors, such as a male mini-phone connector (2.5 mm) and a male audio (stereo) connector, at one end, and one or a pair of female phone connectors at the opposite end.

In one embodiment, the cable or cord can also have a switch coupled thereto so as to permit a user to switch

16

modes. For example, if the temple arrangement or temple adapter provides a speaker and microphone to a pair of eyeglasses, a switch on a cable or cord that connects the temple arrangement or temple adapter to an electronic device could provide different switch positions for different electronic devices or different functional modes of operation of a single electronic device. As an example, if the electronic device is (or operates as) an audio player, a first switch position could be used. Alternatively, if the electronic device is (or operates as) a mobile telephone, a second switch position could be used. Additional discussion of suitable cables and cords is provided in the related applications that have been incorporated herein by reference.

Electrical components can form an electronic module. The electronic module can provide radiation monitoring, wireless communication, enhanced hearing, etc. A radiation monitoring system can be partially or fully contained in a temple arrangement or temple adapter associated with a temple of a pair of glasses. Typically, the temple arrangement or temple adapter can be removable from the temple.

In another embodiment, an electronic component in a temple arrangement or temple adapter interacts with another electronic component in another part (e.g., frame) of the glasses or in a device tethered to the glasses. For example, a temple of a pair of glasses holds one portion of an electronic circuit. That portion can include generic parts, such as a battery, that are applicable to different applications. Another portion of the electronic circuit is in a temple arrangement or temple adapter. This portion can be application specific, such as an electronic clock without a battery, or a temperature sensor.

In yet another embodiment, the electrical components can provide audio player capabilities. In such an embodiment, the electrical components can include audio file storage, an audio player and a battery. The electrical components may or may not include wireless communication circuitry.

Further, in an alternative embodiment, the output of an operation indicator can be audio. The audio output can be from one or more speakers associated with the frame of the eyeglasses. Such audio output can signal the user using natural language, voice synthesis, pre-recorded messages, etc.

In another embodiment, the electrical components can include a memory module. The memory module provides non-volatile data storage. For example, the memory module can be a portable (or removable) memory device (e.g., memory card). The memory module can, for example, store sensor information (which can be over an extended period of time). Such memory module can be remotely interrogated using wireless communication circuitry, or can be accessed through a wired connection with a tethered device.

In one embodiment, the electrical connection(s) can alternatively be used to allow information stored in the electrical components to be accessed or queried by a device. For example, when the electrical components include a memory module, the memory module can be accessed to read data (e.g., status information) stored therein.

As previously noted, the electrical components associated with a temple arrangement and/or a temple adapter can pertain to radiation monitoring circuitry. In such case, the electrical components within the temple arrangement or temple adapter alone or together with eyeglass electrical components can implement a radiation monitoring system. The radiation being monitored can, for example, pertain to one or more of UV, infrared and gamma radiation. In one embodiment, sunlight is considered as a type of radiation. In any case, additional details on radiation monitoring are

further described in the related applications that have been incorporated herein by reference.

Also, the electrical components can pertain to health or fitness monitoring circuitry. In such case, the electrical components within the temple arrangement or the temple adapter alone or together with eyeglass electrical components can implement a health or fitness monitoring system. Additional details on health or fitness monitoring are further described in the related applications that have been incorporated herein by reference.

In yet another embodiment, an electronic component in a temple arrangement or a temple adapter of a frame of eyeglasses interacts with an electronic component of an apparatus tethered to the eyeglasses to perform an operation. For example, a temple arrangement or a temple adapter of a pair of eyeglasses holds one portion of an electronic system, and a tethered apparatus that tethers to the pair of eyeglasses includes another portion of the electronic system.

Power (e.g., external power source) can be coupled to the glasses through a connector. In one embodiment, a power source is embedded inside or inserted into the glasses. Different types of power sources are applicable. For example, the power source can be a battery, a fuel cell, a solar cell, or a re-chargeable battery. The rechargeable battery can be charged through a connector at the glasses.

Depending on the embodiment, electrical components of a camera can be in a pair of glasses, and/or a base tethered to the glasses, and/or a portable device tethered to the glasses or to the base. For example, memory can be in the base tethered to the glasses. The location of a lens can vary depending on the embodiment. In one embodiment, one location is at the bridge of the glasses, with the lens of the camera facing forward. In this situation, what the user sees is substantially what the captured image would be. In other words, in a general sense, what the user sees is what the user gets. With such an embodiment, it is relatively easy for a user to take pictures, hands-free. In another embodiment, another location for the lens are at a side portion adjacent to a lens holder, before the joint of the corresponding temple. Again, the lens of the camera faces forward. Some of the electrical components of the camera can be in that location, and other components in the temple. These components can be electrically connected through one of the joints, such as with a flexible pc board. In yet another embodiment, the lens can face sideways and outwards in a temple of a pair of glasses, towards the left or right side of the user.

Still further, the invention can provide a new approach to marketing accessories, namely, electrical accessories, for eyewear. According to one method for providing temple arrangements and/or temple adapters for use with a pair of glasses, the method can initially provide a plurality of temple arrangements and/or temple adapters for a customer. This enables the customer to browse and select at least one temple arrangement or temple adapter. Each of the temple arrangements or temple adapters can have one or more electrical components at least partially embedded therein, with different temple arrangements or temple adapters providing different electrical capabilities. Once a temple arrangement or temple adapters has been selected, the selected temple arrangement or temple adapters can be coupled to one of the corresponding temples of the eyewear (e.g., a pair of glasses). In the case where the selected temple arrangement is a temple tip, the selected temple tip is inserted onto (e.g., slid over) an end of the corresponding temple (after removing any previously installed temple tip if there was one). In the case where the selected temple adapter is to be coupled, the selected temple adapter can be attached

to the corresponding temple. Thereafter, the customer can make use of the eyewear with its associated electrical capabilities provided by the temple arrangement or temple adapters.

In one embodiment, once a temple arrangement and/or a temple adapter is provided to a customer, the customer can test the electrical capabilities of the pair of glasses. If the customer does not like the current selected temple arrangement or temple adapter, the customer can repeat the process by selecting and testing another temple arrangement or temple adapter. Before providing the eyewear with the temple arrangement or temple adapter, the customer can be required to pay a purchase (or rental) price for at least the temple arrangement or the temple adapter. Thereafter, the customer can be permitted to return and replace the temple arrangement or temple adapter with another temple arrangement or temple adapter. Such returns or replacements can be available only for a limited period of time following their purchase.

The various aspects, embodiments, implementations and features of the invention noted above can be combined in various ways or used separately. Those skilled in the art will understand from the description that the invention can be equally applied to or used in other various different settings with respect to various combinations, aspects, embodiments, implementations or features provided in the description herein.

Certain aspects of the invention can be implemented in software, hardware or a combination of hardware and software. Certain aspects of the invention can also be embodied as computer readable code on a computer readable medium. The computer readable medium is any data storage device that can store data which can thereafter be read by a computer system. Examples of the computer readable medium include read-only memory, random-access memory, CD-ROMs, magnetic tape, optical data storage devices, and carrier waves. The computer readable medium can also be distributed over network-coupled computer systems so that the computer readable code is stored and executed in a distributed fashion.

The advantages of the invention are numerous. Different embodiments or implementations may yield one or more of the following advantages. One advantage of the invention is that electrical components can be provided integral with or attached to a temple arrangement or a temple adapter for use with a pair of eyeglasses. Another advantage of the invention is that after-market changes to electrical capabilities of eyeglasses can be relatively easily achieved. Another advantage of the invention is that communication, computation, information capturing or sensing, and/or operational capabilities can be provided for eyeglasses without substantial interference to style or design choices of the glasses. Still another advantage of the invention is that wireless communications, radiation monitoring, fitness monitoring and/or health monitoring can be supported by the electrical components. Yet another advantage of the invention is the ability to provide hands-free wireless communications capability.

Numerous specific details are set forth in order to provide a thorough understanding of the present invention. However, it will become obvious to those skilled in the art that the invention may be practiced without these specific details. The description and representation herein are the common meanings used by those experienced or skilled in the art to most effectively convey the substance of their work to others skilled in the art. In other instances, well-known methods,

19

procedures, components, and circuitry have not been described in detail to avoid unnecessarily obscuring aspects of the present invention.

In the foregoing description, reference to “one embodiment” or “an embodiment” means that a particular feature, structure, or characteristic described in connection with the embodiment can be included in at least one embodiment of the invention. The appearances of the phrase “in one embodiment” in various places in the specification are not necessarily all referring to the same embodiment, nor are separate or alternative embodiments mutually exclusive of other embodiments. Further, the order of blocks in process flowcharts or diagrams representing one or more embodiments of the invention do not inherently indicate any particular order nor imply any limitations in the invention.

The many features and advantages of the present invention are apparent from the written description and, thus, it is intended by the appended claims to cover all such features and advantages of the invention. Further, since numerous modifications and changes will readily occur to those skilled in the art, it is not desired to limit the invention to the exact construction and operation as illustrated and described. Hence, all suitable modifications and equivalents may be resorted to as falling within the scope of the invention.

What is claimed is:

1. An eyewear frame, comprising:
 - a front section;
 - at least one side having at least a rearward portion;
 - a battery embedded in the rearward portion of the at least one side;
 - a flexible circuit board embedded in or coupled to the at least one side;
 - an integrated circuit mounted on the flexible circuit board and electrically interconnected with the battery; and
 - a sensor embedded in the eyewear frame and electrically connected to the flexible circuit board.
2. An eyewear frame as recited in claim 1, wherein the sensor comprises a motion detector.
3. An eyewear frame as recited in claim 2, wherein the motion detector comprises an accelerometer.
4. An eyewear frame as recited in claim 1, wherein the sensor comprises a “being worn” sensor.
5. An eyewear frame as recited in claim 1, wherein the sensor comprises a location sensor.
6. An eyewear frame as recited in claim 1, wherein the sensor comprises an environmental sensor.
7. An eyewear frame as recited in claim 1, wherein said eyewear frame comprises:
 - a display and a camera.
8. An eyewear frame as recited in claim 7, wherein said eyewear frame comprises at least one electronic device that supports at least the display and the camera.
9. An eyewear frame as recited in claim 1, wherein said eyewear frame comprises:
 - a plurality of electrical components, including at least a display, a wireless transmitter and/or receiver, a microphone, and an audio output device.
10. An eyewear frame as recited in claim 9, wherein the audio output device comprises a speaker.
11. An eyewear frame as recited in claim 9, wherein the audio output device comprises a bone conducting element.
12. Eyewear, comprising:
 - a front section;
 - at least one side coupled to the front section;
 - a battery embedded in a portion of the at least one side;

20

- a flexible circuit board embedded in the at least one side or coupled to the battery embedded in the portion of the at least one side;
 - at least one integrated circuit mounted on the flexible circuit board and electrically interconnected with the battery; and
 - at least one sensor embedded in said eyewear and electrically connected to the at least one integrated circuit at least via the flexible circuit board.
13. Eyewear as recited in claim 12, wherein said eyewear comprises:
 - a camera at least partially embedded in said eyewear and electrically connected to the at least one integrated circuit at least via the flexible circuit board.
 14. Eyewear as recited in claim 12, wherein said eyewear comprises:
 - a display electrically connected to the at least one integrated circuit at least via the flexible circuit board; and
 - a camera electrically connected to the at least one integrated circuit at least via the flexible circuit board.
 15. Eyewear as recited in claim 12, wherein the at least one sensor includes an accelerometer.
 16. Eyewear as recited in claim 12, wherein the at least one sensor includes a motion sensor.
 17. Eyewear as recited in claim 12, wherein said eyewear comprises:
 - a bone conducting element.
 18. Eyewear as recited in claim 17, wherein the bone conducting element is at least partially embedded in the at least one side.
 19. Eyewear as recited in claim 12, wherein said eyewear comprises a speaker, and wherein the speaker is at least partially embedded in the at least one side.
 20. Eyewear as recited in claim 12, wherein said eyewear comprises:
 - a being worn sensor.
 21. Eyewear as recited in claim 12, wherein said eyewear comprises:
 - a user health sensor.
 22. Eyewear as recited in claim 21, wherein the user health sensor is at least partially embedded in the at least one side.
 23. Eyewear as recited in claim 12, wherein said eyewear comprises:
 - a plurality of electrical components, including at least a display, a wireless receiver, a microphone, and an audio output device.
 24. Eyewear as recited in claim 23, wherein the audio output device comprises a speaker.
 25. Eyewear as recited in claim 23, wherein the audio output device comprises a bone conducting element.
 26. Eyewear as recited in claim 12, wherein said eyewear comprises a charging circuit electrically connected to the battery, and a connector port that is electrically connected with the charging circuit.
 27. Eyewear as recited in claim 12, wherein said eyewear further comprises an additional electronic device partially or fully embedded in said eyewear but not within the at least one side.
 28. Eyewear as recited in claim 27, wherein the additional electronic device comprises an additional sensor, and wherein the additional sensor is electrically connected to the at least one integrated circuit by at least one conductive element.

21

29. Eyewear as recited in claim 27, wherein the additional electronic device comprises a wireless receiver and/or wireless transmitter to support wireless data transfer.

30. Eyewear as recited in claim 27, wherein said eyewear comprises at least one conductor to at least partially interconnect the at least one integrated circuit to the additional electronic device.

31. Eyewear as recited in claim 12, wherein said eyewear comprises a user input device, a controller, a position detector and a wireless transceiver, and wherein the user input device, the controller, the battery, the position detector and the wireless transceiver are provided at the at least one side.

32. Eyewear as recited in claim 12, wherein said eyewear comprises a user input device, a controller, a position detector and a wireless transceiver, and wherein at least the user input device is provided at the at least one side.

33. Eyewear as recited in claim 12, wherein said eyewear comprises a controller, wherein the controller is on another circuit board, and wherein the another circuit board with the controller thereon is embedded in or coupled to the at least one side.

34. Eyewear as recited in claim 12, wherein said eyewear comprises a controller, a position detector, a data storage device and a wireless receiver, wherein the controller, the position detector, the data storage device and the wireless receiver are mounted on another circuit board, and wherein the another circuit board is in or coupled to the at least one side.

35. Eyewear as recited in claim 12, wherein said eyewear comprises an RFID tag.

36. Eyewear as recited in claim 12, wherein the sensor comprises a temperature sensor.

37. Eyewear as recited in claim 12, wherein the sensor comprises a condition sensor for sensing at least one condition of a user of said eyewear.

38. Eyewear as recited in claim 37, wherein the at least one condition of the user pertains to at least one vital sign of the user.

39. Eyewear as recited in claim 37, wherein the at least one condition of the user is an emotional condition of the user.

40. Eyewear as recited in claim 12, wherein data from the sensor is used in determining distance traveled.

41. Eyewear as recited in claim 12, wherein data from the sensor is used in determining speed traveled.

42. Eyewear as recited in claim 12, wherein data from the sensor is used in determining elevation distance traveled.

43. Eyewear as recited in claim 12, wherein data from the sensor is used in determining calories consumed.

44. Eyewear as recited in claim 12, wherein said eyewear comprises:

at least one controller embedded in said eyewear; wireless communication circuitry embedded in said eyewear and electrically connected to the flexible circuit board; and

at least one radiation detector at least partially embedded in said eyewear and electrically connected to the at least one controller.

45. Eyewear as recited in claim 44, wherein the at least one radiation detector electrically is connected to the at least one controller at least via the flexible circuit board.

46. Eyewear as recited in claim 44, wherein said eyewear comprises:

a charging circuit electrically connected to the battery.

22

47. Eyewear as recited in claim 46, wherein the at least one side includes a connector port that is electrically connected with the charging circuit.

48. Eyewear as recited in claim 47, wherein the at least one sensor includes an accelerometer.

49. Eyewear as recited in claim 12, wherein said eyewear comprises:

an indicator configured to signal an operational status of an electrical component of said eyewear.

50. Eyewear as recited in claim 12, wherein said eyewear comprises:

at least one controller embedded in said eyewear; wireless communication circuitry embedded in said eyewear and electrically connected to the flexible circuit board and the battery; and

at least one light detector at least partially embedded in said eyewear and electrically connected to the at least one controller.

51. Eyewear as recited in claim 50, wherein said eyewear comprises:

a visual indicator configured to signal to a person information concerning an operational status of an electrical component of said eyewear.

52. Eyewear as recited in claim 51, wherein said eyewear comprises:

a charging circuit electrically connected to the battery.

53. Eyewear as recited in claim 52, wherein said eyewear includes a connector port that is electrically connected with the charging circuit.

54. Eyewear as recited in claim 51, wherein the at least one light detector is electrically connected to the at least one controller at least via the flexible circuit board.

55. Eyewear as recited in claim 51, wherein the at least one sensor includes an accelerometer.

56. Eyewear as recited in claim 51, wherein said eyewear comprises:

an audio pick-up electrical component.

57. Eyewear as recited in claim 12, wherein said eyewear comprises:

an audio pick-up electrical component.

58. Eyewear as recited in claim 12, wherein said eyewear comprises:

a camera at least partially embedded in said eyewear and electrically connected to the at least one integrated circuit and/or the flexible circuit board;

wireless communication circuitry embedded in said eyewear and electrically connected to the at least one integrated circuit and/or the flexible circuit board;

a memory configured to store data, the memory embedded in said eyewear and electrically connected to the at least one integrated circuit and/or the flexible circuit board; and

a visual indicator configured to signal to a person information concerning an operational status of an electrical component of said eyewear.

59. Eyewear as recited in claim 58, wherein said eyewear comprises:

a switch electrically connected to the at least one integrated circuit.

60. Eyewear as recited in claim 59, wherein the at least one integrated circuit comprises a controller.

61. Eyewear as recited in claim 12, wherein said eyewear comprises:

wireless communication circuitry electrically connected to the at least one integrated circuit and/or the flexible circuit board;

a memory configured to store data, the memory electrically connected to the at least one integrated circuit and/or the flexible circuit board; and

a visual indicator configured to signal to a person information concerning an operational status of an electrical component of said eyewear. 5

62. Eyewear as recited in claim **61**, wherein said eyewear comprises:

a camera at least partially electrically connected to the at least one integrated circuit and/or the flexible circuit board. 10

63. Eyewear as recited in claim **62**, wherein said eyewear comprises:

an audio pick-up electrical component electrically connected to the at least one integrated circuit and/or the flexible circuit board. 15

64. Eyewear as recited in claim **63**, wherein said eyewear comprises:

a charging circuit electrically connected to the battery; and
a connector port that is electrically connected with the charging circuit. 20

* * * * *