



US007401918B2

(12) **United States Patent**  
**Howell et al.**

(10) **Patent No.:** **US 7,401,918 B2**  
(45) **Date of Patent:** **\*Jul. 22, 2008**

(54) **EYEGLASSES WITH ACTIVITY MONITORING**

(75) Inventors: **Thomas A. Howell**, Palo Alto, CA (US);  
**David Chao**, Saratoga, CA (US); **C. Douglass Thomas**, Campbell, CA (US);  
**Peter P. Tong**, Mountain View, CA (US)

(73) Assignee: **IpVenture, Inc.**, Los Altos, CA (US)

(\* ) Notice: Subject to any disclaimer, the term of this patent is extended or adjusted under 35 U.S.C. 154(b) by 0 days.

This patent is subject to a terminal disclaimer.

(21) Appl. No.: **11/891,411**

(22) Filed: **Aug. 9, 2007**

(65) **Prior Publication Data**

US 2007/0279584 A1 Dec. 6, 2007

**Related U.S. Application Data**

(63) Continuation of application No. 11/183,276, filed on Jul. 15, 2005, now Pat. No. 7,255,437, which is a continuation-in-part of application No. 10/964,011, filed on Oct. 12, 2004, now Pat. No. 7,192,136.

(60) Provisional application No. 60/509,631, filed on Oct. 9, 2003, provisional application No. 60/527,565, filed on Dec. 8, 2003, provisional application No. 60/562,798, filed on Apr. 15, 2004, provisional application No. 60/583,169, filed on Jun. 26, 2004, provisional application No. 60/592,045, filed on Jul. 28, 2004, provisional application No. 60/605,191, filed on Aug. 28, 2004, provisional application No. 60/618,107, filed on Oct. 12, 2004, provisional application No. 60/620,238, filed on Oct. 18, 2004, provisional application No. 60/647,836, filed on Jan. 31, 2005, provisional application No. 60/647,826, filed on Jan. 31, 2005.

(51) **Int. Cl.**  
**G02C 1/00** (2006.01)

(52) **U.S. Cl.** ..... **351/158; 351/41**

(58) **Field of Classification Search** ..... **351/41, 351/158**

See application file for complete search history.

(56) **References Cited**

U.S. PATENT DOCUMENTS

320,558 A 6/1885 Hull  
669,949 A 3/1901 Underwood  
1,255,265 A 2/1918 Zachara

(Continued)

FOREIGN PATENT DOCUMENTS

CN 88203065 11/1988

(Continued)

OTHER PUBLICATIONS

"±1.5g Dual Axis Micromachined Accelerometer", Freescale Semiconductor, Inc., Motorola Semiconductor Technical Data, MMA6260Q, 2004, pp. 1-7.

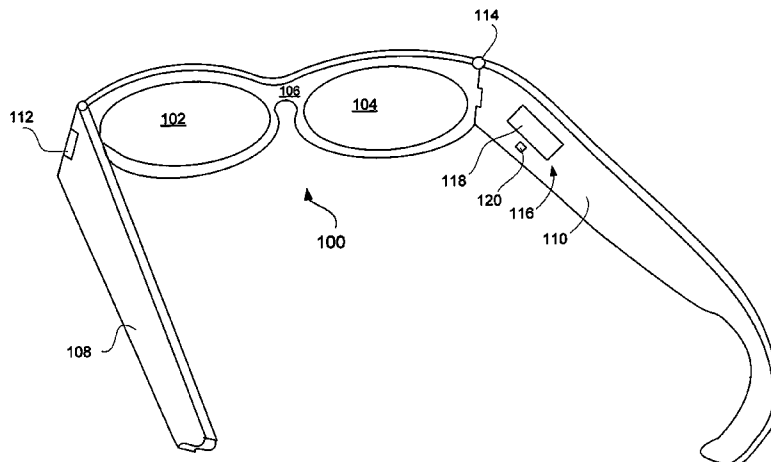
(Continued)

*Primary Examiner*—Huy K Mai

(57) **ABSTRACT**

In one embodiment, eyewear having an activity monitoring capability is disclosed. Activity, such as motion, steps or distance, can be measured by an activity detector. The measured activity can then be used in providing activity-related information to a user of the eyewear. Advantageously, the user of the eyewear is able to easily monitor their degree of activity.

**30 Claims, 7 Drawing Sheets**



U.S. PATENT DOCUMENTS			FOREIGN PATENT DOCUMENTS		
2,638,532 A	5/1953	Brady	6,539,336 B1	3/2003	Vock et al.
2,904,670 A	9/1959	Calmes	6,542,081 B2	4/2003	Torch
3,060,308 A	10/1962	Fortuna	6,554,763 B1	4/2003	Amano et al.
3,597,054 A	8/1971	Winter	6,619,799 B1	9/2003	Blum et al.
3,710,115 A	1/1973	Jubb	6,629,076 B1	9/2003	Haken
4,165,487 A	8/1979	Corderman	6,729,726 B2	5/2004	Miller et al.
4,254,451 A	3/1981	Cochran, Jr.	6,736,759 B1	5/2004	Stubbs et al.
4,806,011 A	2/1989	Bettinger	6,764,194 B1	7/2004	Cooper
4,822,160 A	4/1989	Tsai	6,792,401 B1	9/2004	Nigro et al.
4,822,161 A	4/1989	Jimmy	6,929,365 B2	8/2005	Swab et al.
4,942,629 A	7/1990	Stadlmann	7,013,009 B2	3/2006	Warren
4,985,632 A	1/1991	Bianco et al.	7,031,667 B2	4/2006	Horiguchi
5,008,548 A	4/1991	Gat	7,073,905 B2	7/2006	Da Pra'
5,020,150 A	5/1991	Shannon	7,192,136 B2	3/2007	Howell et al.
5,036,311 A	7/1991	Moran et al.	7,255,437 B2*	8/2007	Howell et al. .... 351/158
5,050,150 A	9/1991	Ikeda	2001/0005230 A1	6/2001	Ishikawa
5,093,576 A	3/1992	Edmond et al.	2002/0081982 A1	6/2002	Schwartz et al.
5,148,023 A	9/1992	Hayashi et al.	2002/0084990 A1	7/2002	Peterson, III
5,151,600 A	9/1992	Black	2002/0089639 A1	7/2002	Starner et al.
5,161,250 A	11/1992	Ianna et al.	2002/0090103 A1	7/2002	Calisto, Jr.
5,172,256 A	12/1992	Sethofer et al.	2002/0098877 A1	7/2002	Glezerman
5,306,917 A	4/1994	Black et al.	2002/0109600 A1	8/2002	Mault et al.
5,353,378 A	10/1994	Hoffman et al.	2002/0140899 A1	10/2002	Blum et al.
5,359,370 A	10/1994	Mugnier	2002/0197961 A1	12/2002	Warren
5,367,345 A	11/1994	da Silva	2003/0022690 A1	1/2003	Beyda et al.
5,379,464 A	1/1995	Schleger et al.	2003/0032449 A1	2/2003	Giobbi
5,382,986 A	1/1995	Black et al.	2003/0062046 A1	4/2003	Wiesmann et al.
5,394,005 A	2/1995	Brown et al.	2003/0065257 A1	4/2003	Mault et al.
5,452,480 A	9/1995	Ryden	2003/0067585 A1	4/2003	Miller et al.
5,455,640 A	10/1995	Gertsikov	2003/0068057 A1	4/2003	Miller et al.
5,457,751 A	10/1995	Such	2003/0226978 A1	12/2003	Ribi et al.
5,500,532 A	3/1996	Kozicki	2004/0000733 A1	1/2004	Swab et al.
D369,167 S	4/1996	Hanson et al.	2004/0063378 A1	4/2004	Nelson
5,513,384 A	4/1996	Brennan et al.	2004/0096078 A1	5/2004	Lin
5,533,130 A	7/1996	Staton	2004/0150986 A1	8/2004	Chang
5,581,090 A	12/1996	Goudjil	2004/0156012 A1	8/2004	Jannard et al.
5,589,398 A	12/1996	Krause et al.	2004/0157649 A1	8/2004	Jannard et al.
5,590,417 A	12/1996	Rydbeck	2004/0160571 A1	8/2004	Jannard
5,608,808 A	3/1997	da Silva	2004/0160572 A1	8/2004	Jannard
5,634,201 A	5/1997	Mooring	2005/0213026 A1	9/2005	Da Pra'
5,737,436 A	4/1998	Boyden	2005/0230596 A1	10/2005	Howell et al.
5,900,720 A	5/1999	Kallman et al.	2005/0248717 A1	11/2005	Howell et al.
5,946,071 A	8/1999	Feldman	2005/0248719 A1	11/2005	Howell et al.
5,966,746 A	10/1999	Reedy et al.	2005/0264752 A1	12/2005	Howell et al.
5,980,037 A	11/1999	Conway	2006/0001827 A1	1/2006	Howell et al.
5,988,812 A	11/1999	Wingate	2006/0003803 A1	1/2006	Thomas et al.
5,992,996 A	11/1999	Sawyer	2006/0023158 A1	2/2006	Howell et al.
5,995,592 A	11/1999	Shirai et al.	2007/0030442 A1	2/2007	Howell et al.
6,010,216 A	1/2000	Jesiek	2007/0046887 A1	3/2007	Howell et al.
6,013,919 A	1/2000	Schneider et al.	2007/0109491 A1	5/2007	Howell et al.
6,028,627 A	2/2000	Helmsderfer	2007/0186330 A1	8/2007	Howell et al.
6,046,455 A	4/2000	Ribi et al.	2007/0208531 A1*	9/2007	Darley et al. .... 702/142
6,060,321 A	5/2000	Hovorka			
6,061,580 A	5/2000	Altschul et al.	CN 89214222.7	3/1990	
6,091,546 A	7/2000	Spitzer	CN 90208199.3	11/1990	
6,091,832 A	7/2000	Shurman et al.	EP 1134491 A2	9/2001	
6,154,552 A	11/2000	Koroljow et al.	FR 2530039 A1	1/1984	
6,236,969 B1	5/2001	Ruppert et al.	GB 1467982	3/1977	
6,243,578 B1	6/2001	Koike	JP 58-113912	7/1983	
6,292,213 B1	9/2001	Jones	JP 58-113914	7/1983	
6,292,685 B1	9/2001	Pompei	JP 02-181722	7/1990	
6,301,367 B1	10/2001	Boyden et al.	JP 09-017204	1/1997	
6,307,526 B1	10/2001	Mann	JP 10-161072	6/1998	
6,343,858 B1	2/2002	Zelman	JP 2000-039595	2/2000	
6,349,001 B1	2/2002	Spitzer	JP 2002341059 A	11/2002	
6,349,422 B1	2/2002	Schleger et al.	TW 484711	6/2001	
6,426,719 B1	7/2002	Nagareda et al.	WO 97/12205 A1	4/1997	
6,478,736 B1	11/2002	Mault	WO 02/06881 A2	1/2002	
6,506,142 B2	1/2003	Itoh et al.	WO WO 03/069394 A1	8/2003	
6,513,532 B2	2/2003	Mault et al.	WO WO 03/100368 A1	12/2003	
6,517,203 B1	2/2003	Blum et al.	WO WO 2004/012477 A2	2/2004	

WO WO 2004/025554 A1 3/2004

## OTHER PUBLICATIONS

- "APA Announces Shipment of the SunUV™ Personal UV Monitor", Press Release, Nov. 7, 2003, pp. 1-3.
- "Camera Specs Take Candid Snaps", BBC News, Sep. 18, 2003, pp. 1-3.
- "Cardo Wireless Attaching Clips and Wearing Headset", Cardo Systems, Inc., <http://www.cardowireless.com/clips.php>, downloaded Nov. 27, 2004, pp. 1-3.
- "Environmental Health Criteria 14: Ultraviolet Radiation", International Programme on Chemical Safety, World Health Organization Geneva, 1979 <http://www.ichem.org>, pp. 1-102.
- "Eyetop", Product-Features, eyetop eyewear, eyetop belt worn, <http://www.eyetop.net/products/eyetop/features.asp>, downloaded Nov. 6, 2003, pp. 1-2.
- "Exclusive Media Event Marks Debut of Oakley Thump: World's First Digital Audio Eyewear", Oakley Investor Relations, Press Release, Nov. 15, 2004, pp. 1-2.
- "Heart Rate Monitors", <http://www.healthgoods.com>, downloaded Dec. 4, 2004.
- "How is the UV Index Calculated", SunWise Program, U.S. Environmental Protection Agency, <http://www.epa.gov/sunwise/uvcalc.html>, downloaded Oct. 14, 2004, pp. 1-2.
- "Industrial UV Measurements", APA Optics, Inc., <http://www.apaoptics.com/uv/>, downloaded Jul. 12, 2004, p. 1.
- "Motorola and Oakley Introduce First Bluetooth Sunglasses-Cutting Edge RAZRWire Line Offers Consumers On-The-Go Connections", Motorola Mediacenter-Press Release, Feb. 14, 2005, pp. 1-2.
- "Oakley Thump: Sunglasses Meet MP3 Player", with image, <http://news.designtechnica.com/article4665.html>, Jul. 13, 2004.
- "Personal UV monitor," Optics.org, <http://optics.org/articles/news/6/6/7/1> (downloaded Dec. 20, 2003), Jun. 9, 2003), Jun. 9, 2000, pp. 1-2.
- "SafeSun Personal Ultraviolet Light Meter", <http://healthchecksyste.ms.com/safesun.htm>, downloaded Jul. 12, 2004, pp. 1-4.
- "SafeSun Personal UV Meter", Introduction, Optix Tech Inc., <http://www.safesun.com>, downloaded Feb. 5, 2004, pp. 1-2.
- SafeSun Personal UV Meter, features, Optix Tech Inc., <http://www.safesun.com/features.html>, downloaded May 1, 2004, pp. 1-2.
- "Sharper Image—The FM Pedometer", e-Corporate Gifts.com, <http://www.e-corporategifts.com/sr353.html>, downloaded Jan. 22, 2005, pp. 1-2.
- "Sun UV™ Personal UV Monitor", APA Optics, Inc., <http://www.apaoptics.com/sunuv/uvfacts.html>, downloaded Dec. 20, 2003, pp. 1-3.
- "Ultraviolet Light and Sunglasses", Oberon's Frequently Asked Questions, <http://www.oberoncompany.com/OBEnglish/FAQUV.html>, downloaded Feb. 5, 2004, pp. 1-2.
- "Ultraviolet Light Sensor", Barrett & Associates Engineering, [http://www.barrettengineering.com/project\\_uv.htm](http://www.barrettengineering.com/project_uv.htm), downloaded Feb. 5, 2004, pp. 1-3.
- "Ultraviolet Radiation (UVR)", Forum North, Ontario Ministry of Labour, <http://www3.mb.sympatico.ca/~ericc/ULTRAVIOLET%20RADIATION.htm>, downloaded Feb. 5, 2004, pp. 1-6.
- "What Are Gripples?", Gripping Eyewear, Inc., <http://www.grippingeyewear.com/whatare.html>, downloaded Nov. 2, 2005.
- "With Racing Heart", Skaloud et al., GPS World, Oct. 1, 2001, <http://www.gpsworld.com/gpsworld/content/printContentPopu.jsp?id=1805>, pp. 1-5.
- Abrisa Product Information: Cold Mirrors, Abrisa, date unknown, p. 1.
- Abrisa Product Information: Commercial Hot Mirror, Abrisa, date unknown, p. 1.
- Alps Spectable, Air Conduction Glass, Bone Conduction Glass, <http://www.alps-inter.com/spec.htm>, downloaded Dec. 10, 2003, pp. 1-2.
- Altimeter and Compass Watches, <http://store.yahoo.com/snowhack/altimeter-watches.html>, downloaded May 3, 2004, pp. 1-2.
- Bone Conduction Headgear HG16 Series, "Voiceducer," <http://www.ternco-j.co.jp/html/English/HG16.html>, downloaded Dec. 10, 2003, pp. 1-3.
- Carnoy, David, "The Ultimate MP3 Player for Athletes? Could be.", CNET Reviews, May 14, 2004, pp. 1-4.
- Clifford, Michelle A., "Accelerometers Jump into the Consumer Goods Market", Sensors Online, <http://www.sensorsmag.com>, Aug. 2004.
- Cool Last Minute Gift Ideas!, UltimateFatBurner Reviews and Articles, <http://www.ultimatefatburner.com/gift-ideas.html>, downloaded May 10, 2005, pp. 1-3.
- Comfees.com, Adjustable Sports Band Style No. 1243, <http://shop.store.yahoo.com/comfees/adsporbanssty.html>, downloaded Apr. 18, 2003, pp. 1-2.
- Dixen, Brian, "ear-catching", Supertesten, Mobil, date unknown, pp. 37-41.
- Global Solar UV Index, A Practical Guide, World Health Organization, 2002, pp. 1-28.
- Grobart, Sam, "Digit-Sizing Your Computer Data", News Article, Sep. 2004, p. 1.
- Life Monitor V1.1, Rhusoft Technologies Inc., <http://www.rhusoft.com/lifemonitor/>, Mar. 1, 2003, pp. 1-6.
- Manes, Stephen, "Xtreme Cam", Forbes Magazine, Sep. 5, 2005, p. 96.
- Mio, PhysiCal, <http://www.gophysical.com/>, downloaded Jan. 27, 2004, 5 pages.
- Monitoring Athletes Performance—2002 Winter Olympic News from KSL, Jan. 23, 2002, <http://2002.ksl.com/news-3885i>, pp. 1-3.
- Niwa, "UV Index Information", <http://www.niwa.cri.nz/services/uvzone/tvi-info>, downloaded Jul. 15, 2004, pp. 1-2.
- Pärkkä, Juha, et al., "A Wireless Wellness Monitor for Personal Weight Management", VTT Information Technology, Tampere, Finland, date unknown, p. 1.
- Pedometer, Model HJ-112, Omron Instruction Manual, Omron Healthcare, Inc., 2003, pp. 1-27.
- PNY Announces Executive Attaché USB 2.0 Flash Drive and Pen Series, Press Release, PNY Technologies, Las Vegas, Jan. 8, 2004, pp. 1-2.
- PNY Technologies, "Executive Attaché" <http://www.pny.com/products/flash/execattache.asp> downloaded Nov. 16, 2005.
- Polar WM41 and 42 weight management monitor, [http://www.simplysports/polar/weight\\_management/wm41-42.htm](http://www.simplysports/polar/weight_management/wm41-42.htm), downloaded Jan. 28, 2004, pp. 1-3.
- Questions Answers, Pedometer.com, <http://www.pedometer.com>, downloaded May 5, 2005.
- RazrWire, Motorola, 2005, 1 page.
- SafeSun Personal UV Meter, Scientific Data, Optix Tech Inc., <http://www.safesun.com/scientific.html>, downloaded May 1, 2004, pp. 1-3.
- SafeSun Sensor, User's Manual, Optix Tech Inc., date unknown.
- SafeSun, Personal UV Meter, "Technical Specifications", Optix Tech Inc., <http://www.safesun.com/technical.html>, downloaded Jul. 12, 2004, pp. 1-2.
- SafeSun, Personal UV Meter, Experiments, Optix Tech Inc., <http://www.safesun.com/experiments.html>, downloaded Feb. 5, 2004, pp. 1-2.
- Shades of Fun, Blinking Light Glasses, <http://www.shadesoffun.com/Nov/Novpgs-14.html>, downloaded Jul. 9, 2005, pp. 1-4.
- SportLine Fitness Pedometer-Model 360, UltimateFatBurner Superstore, [http://www.ultimatefatburner-store.com/ac\\_004.html](http://www.ultimatefatburner-store.com/ac_004.html), downloaded May 10, 2005, pp. 1-2.
- Steele, Bonnie G. et al., "Bodies in motion: Monitoring daily activity and exercise with motion sensors in people with chronic pulmonary disease", VA Research & Development, Journal of Rehabilitation Research & Development, vol. 40, No. 5, Sep./Oct. 2003, Supplement 2, pp. 45-58.
- Stevens, Kathy, "Should I Use a Pedometer When I Walk?", Healthon/WebMD, Apr. 14, 2000.
- Sundgot, Jørgen "2nd-gen Motorola Bluetooth headset", InfoSync World, Mar. 1, 2003, <http://www.infosync.no/news/2002/n/2841.html>, pp. 1-2.

## US 7,401,918 B2

Page 4

---

SunSensors, Segan Industries, Inc., <http://www.segan-ind.com/sunsensor.htm>, downloaded Feb. 5, 2004, pp. 1-3.

SunUV™, Personal UV Monitor, APA Optics, Inc., <http://www.apaoptics.com/sunuv/models.html>, downloaded Dec. 20, 2003.

SunUV™, Personal UV Monitor User's Guide, APA Optics, Inc., 2003 pp. 1-52.

Talking Pedometer, Sportline, Inc., date unknown.

Top Silicon PIN Photodiode, PD93-21C, Technical Data Sheet, Everlight Electronics Co., Ltd., 2004, pp. 1-9.

UV Light Meter, UVA and UVB measurement, UV-340, Instruction Manual, Lutron, date unknown, pp. 1-5.

UV-Smart, UVA/B Monitor, Model EC-960-PW, Instruction Manual, Tanita Corporation of America, Inc., downloaded Nov. 16, 2001.

Vitaminder Personal Carb Counter, <http://www.auravita.com/products/AURA/ORBU11420.asp>. Downloaded Nov. 15, 2005, pp. 1-2.

\* cited by examiner

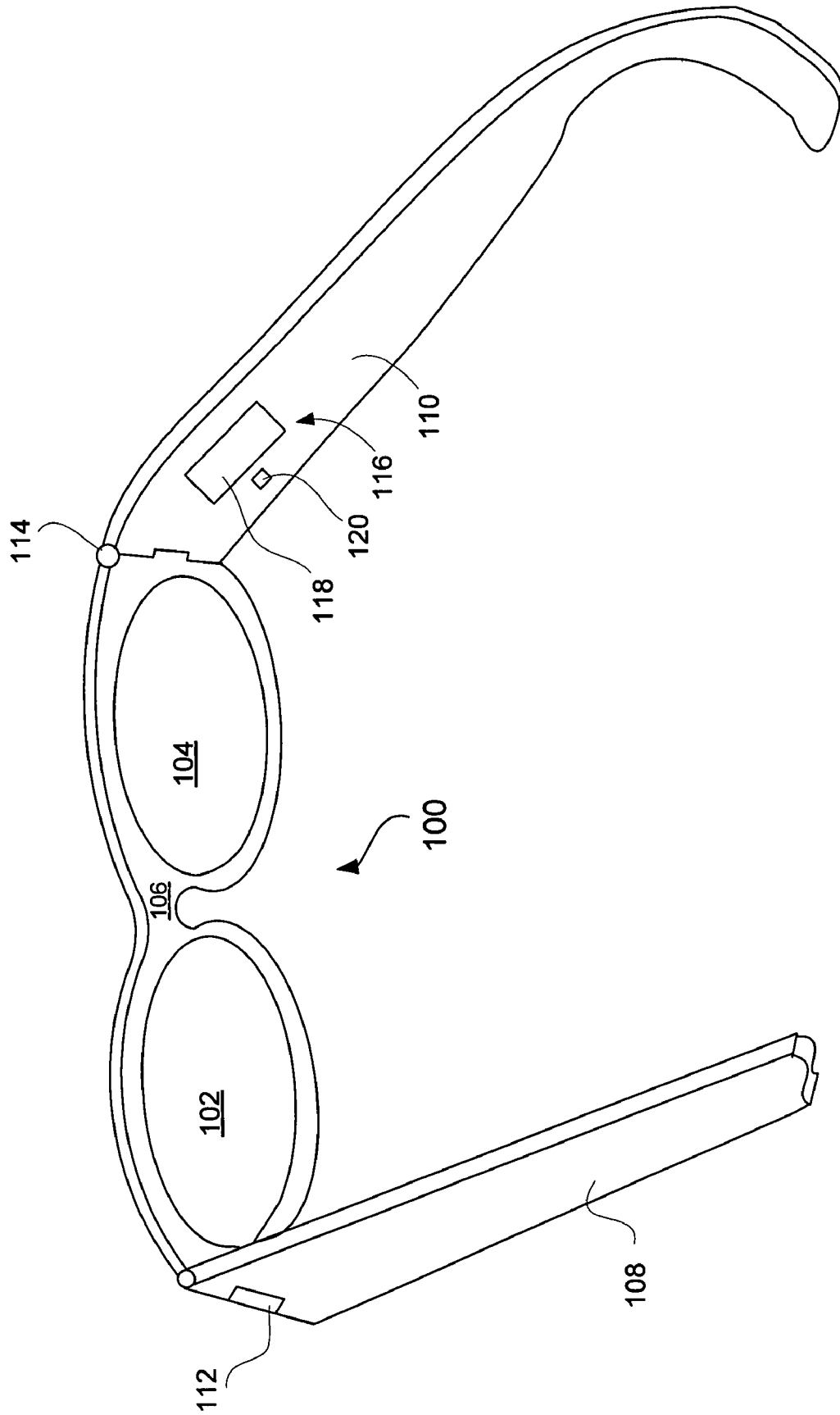


FIG. 1

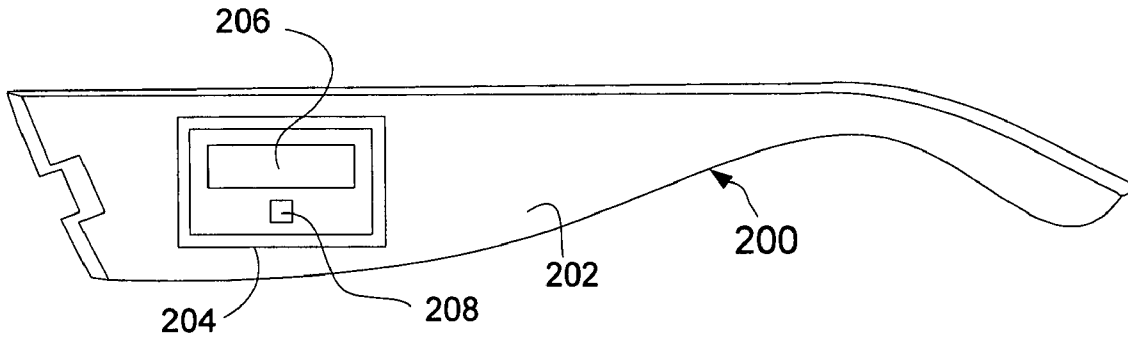


FIG. 2

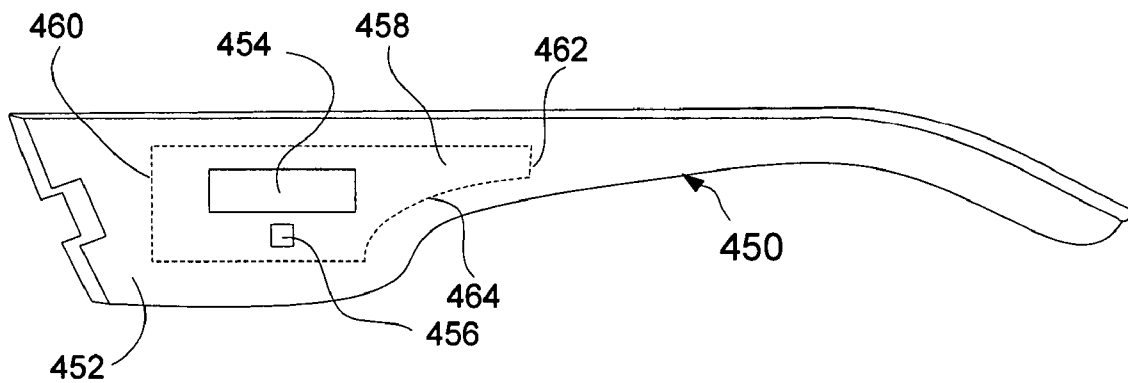
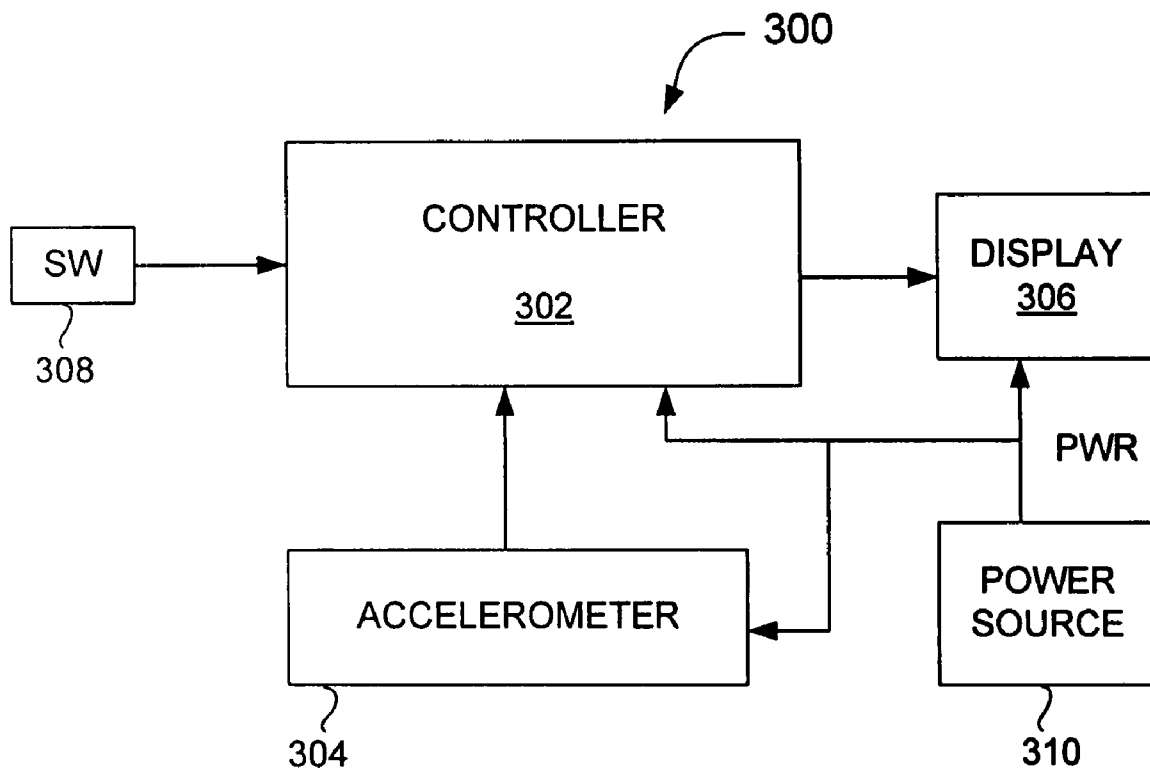


FIG. 4D



**FIG. 3**

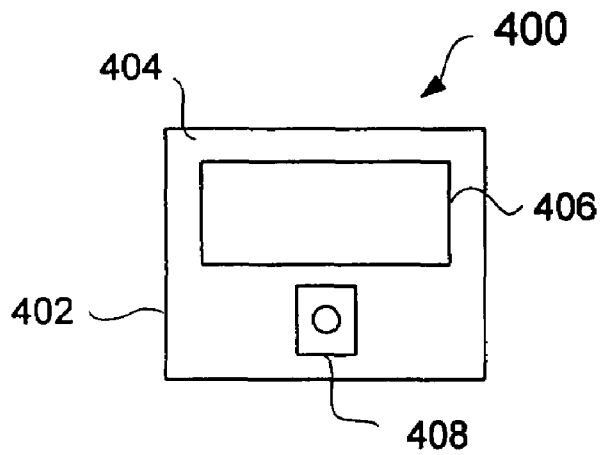


FIG. 4A

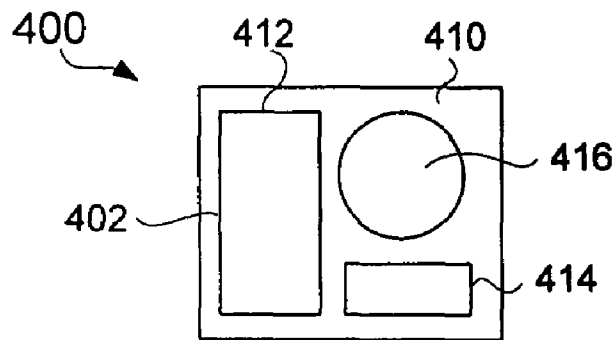


FIG. 4B

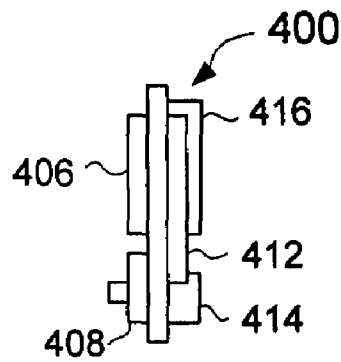


FIG. 4C



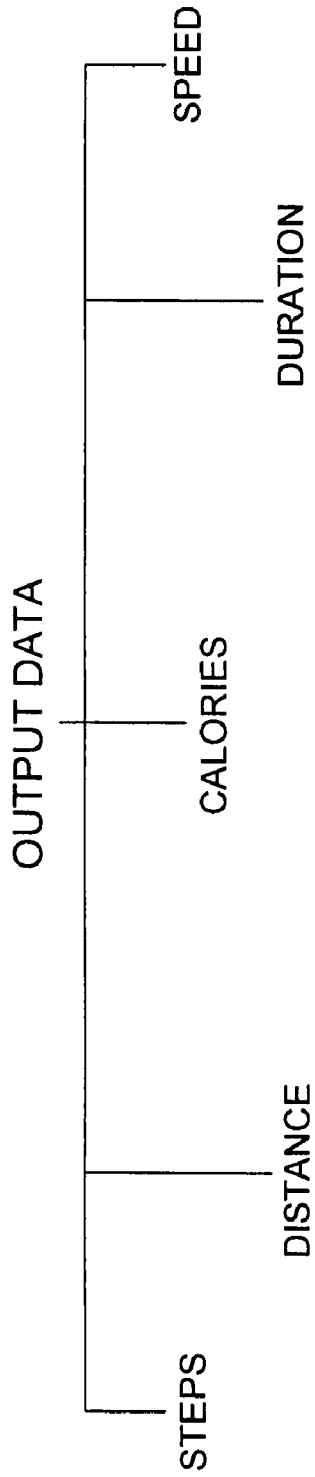


FIG. 5A

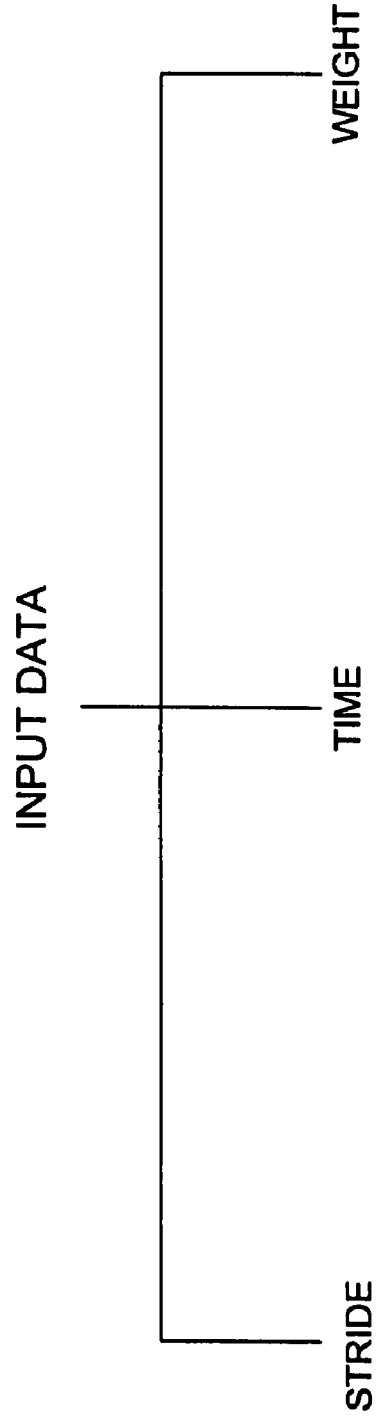


FIG. 5B

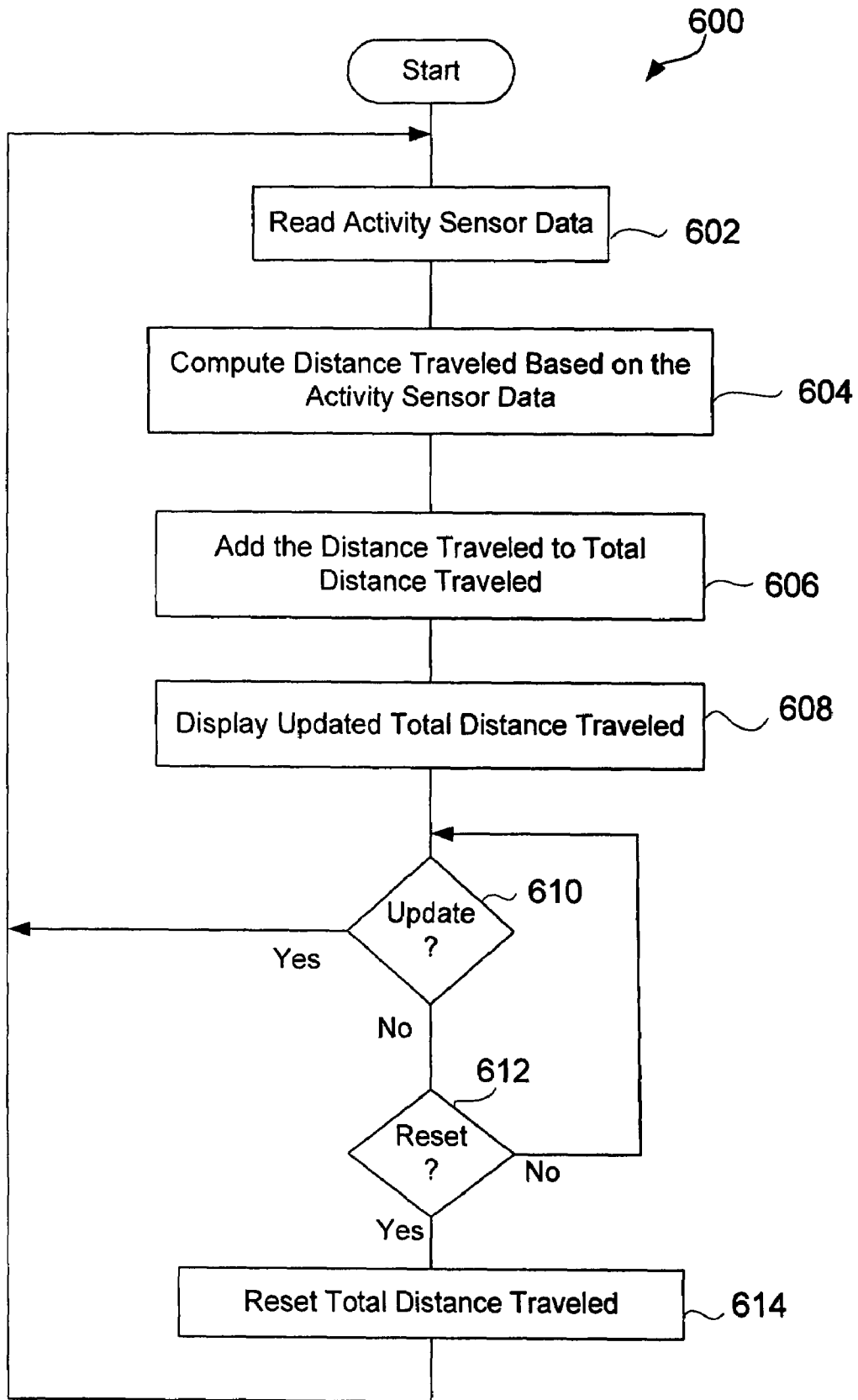


FIG. 6

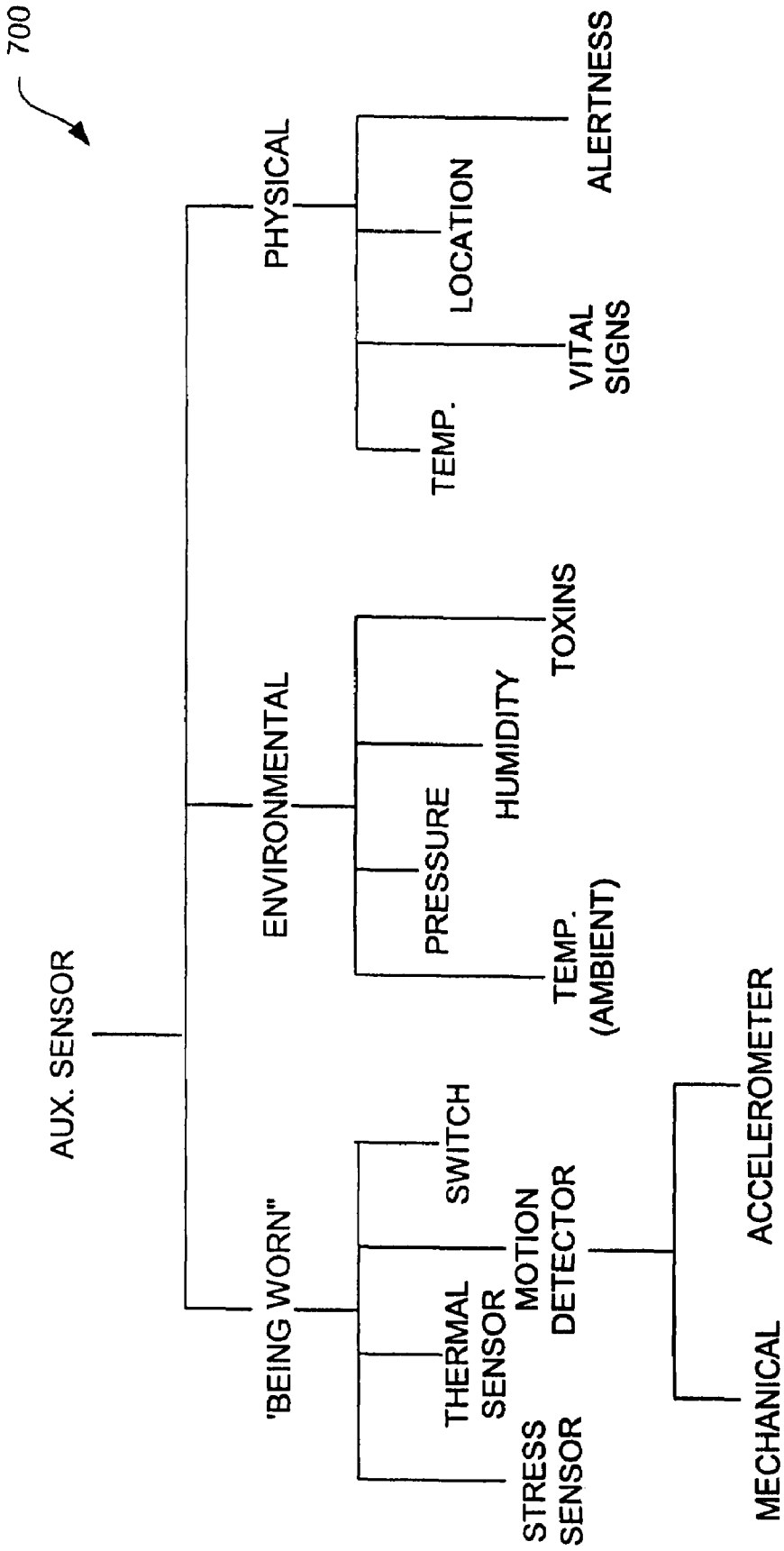


FIG. 7

## EYEGLASSES WITH ACTIVITY MONITORING

### CROSS-REFERENCE TO RELATED APPLICATIONS

This application is a continuation of U.S. patent application Ser. No. 11/183,276, filed Jul. 15, 2005, and entitled "EYEGLASSES WITH ACTIVITY MONITORING," which is hereby incorporated herein by reference, which is a continuation-in-part of U.S. patent application Ser. No. 10/964,011, filed Oct. 12, 2004, and entitled "TETHERED ELECTRICAL COMPONENTS FOR EYEGLASSES," which is hereby incorporated herein by reference, which in turn claims priority to each of: (i) U.S. Provisional Patent Application No. 60/509,631, filed Oct. 9, 2003, and entitled "TETHERED ELECTRICAL COMPONENTS FOR EYEGLASSES," which is hereby incorporated herein by reference; (ii) U.S. Provisional Patent Application No. 60/527,565, filed Dec. 8, 2003, and entitled "ADAPTABLE COMMUNICATION TECHNIQUES FOR ELECTRONIC DEVICES," which is hereby incorporated herein by reference; (iii) U.S. Provisional Patent Application No. 60/562,798, filed Apr. 15, 2004, entitled "EYEWEAR WITH ULTRAVIOLET DETECTION SYSTEM," and which is hereby incorporated herein by reference; (iv) U.S. Provisional Patent Application No. 60/583,169, filed Jun. 26, 2004, entitled "ELECTRICAL COMPONENTS FOR USE WITH EYEWEAR, AND METHODS THEREFOR," and which is hereby incorporated herein by reference; (v) U.S. Provisional Patent Application No. 60/592,045, filed Jul. 28, 2004, entitled "EYEGLASSES WITH A CLOCK OR OTHER ELECTRICAL COMPONENT," and which is hereby incorporated herein by reference; and (vi) U.S. Provisional Patent Application No. 60/605,191, filed Aug. 28, 2004, entitled "ELECTRICAL COMPONENTS FOR USE WITH EYEWEAR, AND METHODS THEREFOR," and which is hereby incorporated herein by reference.

U.S. patent application Ser. No. 11/183,276 also claims priority to each of: (i) U.S. Provisional Patent Application No. 60/592,045, filed Jul. 28, 2004, entitled "EYEGLASSES WITH A CLOCK OR OTHER ELECTRICAL COMPONENT," and which is hereby incorporated herein by reference; (ii) U.S. Provisional Patent Application No. 60/605,191, filed Aug. 28, 2004, entitled "ELECTRICAL COMPONENTS FOR USE WITH EYEWEAR, AND METHODS THEREFOR," and which is hereby incorporated herein by reference; (iii) U.S. Provisional Patent Application No. 60/618,107, filed Oct. 12, 2004, and entitled "TETHERED ELECTRICAL COMPONENTS FOR EYEGLASSES," which is hereby incorporated herein by reference; (iv) U.S. Provisional Patent Application No. 60/620,238, filed Oct. 18, 2004, entitled "EYEGLASSES WITH HEARING ENHANCED AND OTHER AUDIO SIGNAL-GENERATING CAPABILITIES," and which is hereby incorporated herein by reference; (v) U.S. Provisional Patent Application No. 60/647,836, filed Jan. 31, 2005, and entitled "EYEGLASSES WITH HEART RATE MONITOR," which is hereby incorporated herein by reference; and (vi) U.S. Provisional Patent Application No. 60/647,826, filed Jan. 31, 2005, and entitled "EYEWEAR WITH ELECTRICAL COMPONENTS," which is hereby incorporated herein by reference.

In addition, this application is related to each of: (i) U.S. patent application Ser. No. 10/822,218, filed Apr. 12, 2004, and entitled "EYEGLASSES FOR WIRELESS COMMUNICATIONS," which is hereby incorporated herein by refer-

ence; (ii) U.S. patent application Ser. No. 10/964,011, filed Oct. 12, 2004, and entitled "TETHERED ELECTRICAL COMPONENTS FOR EYEGLASSES," which is hereby incorporated herein by reference; (iii) U.S. patent application Ser. No. 11/006,343, filed Dec. 7, 2004, and entitled "ADAPTABLE COMMUNICATION TECHNIQUES FOR ELECTRONIC DEVICES," which is hereby incorporated herein by reference; (iv) U.S. patent application Ser. No. 11/078,855, filed Mar. 11, 2005, and entitled "EYEWEAR WITH RADIATION DETECTION SYSTEM," which is hereby incorporated herein by reference; (v) U.S. patent application Ser. No. 11/078,857, filed Mar. 11, 2005, and entitled "RADIATION MONITORING SYSTEM," which is hereby incorporated herein by reference; (vi) U.S. patent application Ser. No. 11/183,269, filed Jul. 15, 2005, and entitled "EYEWEAR SUPPORTING AFTER-MARKET ELECTRICAL COMPONENTS," which is hereby incorporated herein by reference; (vii) U.S. patent application Ser. No. 11/183,283, Jul. 15, 2005, and entitled "EVENT EYEGLASSES," which is hereby incorporated herein by reference; (viii) U.S. patent application Ser. No. 11/183,262, Jul. 15, 2005, and entitled "EYEGLASSES WITH HEARING ENHANCED AND OTHER AUDIO SIGNAL-GENERATING CAPABILITIES," which is hereby incorporated herein by reference; (ix) U.S. patent application Ser. No. 11/183,256, Jul. 15, 2005, and entitled "EYEGLASSES WITH ELECTRICAL COMPONENTS," which is hereby incorporated herein by reference; and (x) U.S. patent application Ser. No. 11/183,263, Jul. 15, 2005, and entitled "EYEGLASSES WITH A CLOCK OR OTHER ELECTRICAL COMPONENT," which is hereby incorporated herein by reference.

### FIELD OF THE INVENTION

The present invention relates to eyeglasses and, more particularly, to eyeglasses having activity monitoring components.

### BACKGROUND OF THE INVENTION

Traditionally, eyeglasses have not contained or made any use of electrical components. In recent years, attempts to include electrical components within eyeglasses have had limited success. For example, a small electrical component, such as a microphone, might be provided in or attached to an eyeglass frame. Unfortunately, however, larger scale electrical components are not easily provided in or attached to an eyeglass frame. Eyeglasses frames tend to be very compact and lightweight and thus have little space for electrical components. Moreover, since eyeglass frames are often fashionable items whose designs are important, there are substantial design tradeoffs involved with providing or attaching electrical components to eyeglass frames.

For many people, prescription eyeglasses are indispensable due to defects in their eyesight. Even for those who do not wear prescription glasses, it is very popular for people to wear sunglasses. In other words, many of us constantly carry at least one pair of glasses with us.

People also often separately wear or carry a pedometer. The traditional physical principal of a pedometer is that a pendulum mechanism moves as the gravity shock of a user's foot striking the ground occurs, and the movement of the pendulum is measured by counting pulses (e.g., electrical pulses). Pedometers are typically special purpose electrical devices worn by persons interested in determining how far they have walked. One good place to wear a pedometer is around one's waist. To be more accurate, users of pedometers

have to enter stride information. This enables the distance traveled to be determined from a number of steps taken. Also, if one's weight is entered, the pedometer can determine calories consumed. For more strenuous activities than walking, pedometers tend to lose their effectiveness. In any event, a separate electrical device needs to be carried to monitor a user's activity.

Accordingly, there is a need for improved approaches to facilitate use of electrical components with eyeglasses.

#### SUMMARY OF THE INVENTION

In a number of embodiments, the invention pertains to eyewear having an activity monitoring capability. Activity, such as motion, steps or distance, can be measured by an activity detector. The measured activity can then be used in providing activity-related information to a user of the eyewear. Advantageously, the user of the eyewear is able to easily monitor their degree of activity, without the need to carry a separate electrical device.

In one embodiment, the activity monitoring is provided by a pedometer. A pedometer can also be referred to as a pedometer system herein.

In one embodiment, all components for activity monitoring can be integrated with eyewear (e.g., eyeglasses), such as a frame (e.g., a temple of the frame) of the eyewear. As an example, the eyewear normally includes a pair of temples, and the components for activity monitoring can be embedded within one or both of the temples. In one implementation, all components for activity monitoring are integrated into a single temple of the frame of the eyewear. As an example, these components can be formed together on a substrate. The substrate with the components mounted and interconnected can be referred to as a module. Embedding such a module into the eyewear can thus provide the eyewear with activity monitoring capability with minimal disturbance to design features of the eyewear.

In one embodiment, the eyewear includes an activity detector, electrical circuitry and an output device. The eyewear can also include one or both of a battery and a solar cell to provide power to the electrical circuitry and possibly other components. Further, the eyewear can also include one or more additional sensors. Still further, the eyewear can also include one or more of a being-worn indicator, a memory for data storage, one or more switches, and communication capabilities.

The invention can be implemented in numerous ways, including as a system, device, apparatus, and method. Several embodiments of the invention are discussed below.

According to one embodiment of the invention, a pair of glasses can include at least a frame having at least a bridge and a pair of temples, and an activity monitoring system at least substantially embedded in the frame and operable to measure activity associated with a user of the pair of glasses.

According to another embodiment of the invention, eyewear can include at least a support structure, and an activity monitoring system substantially internal to the support structure and operable to measure activity associated with a user of the eyewear.

Other aspects and advantages of the invention will become apparent from the following detailed description taken in conjunction with the accompanying drawings which illustrate, by way of example, the principles of the invention.

#### BRIEF DESCRIPTION OF THE DRAWINGS

The invention will be readily understood by the following detailed description in conjunction with the accompanying drawings, wherein like reference numerals designate like structural elements, and in which:

FIG. 1 illustrates a pair of glasses according to one embodiment of the invention.

FIG. 2 illustrates a temple according to one embodiment of the invention.

FIG. 3 is a block diagram of a pedometer system according to one embodiment of the invention.

FIG. 4A illustrates a first side of an electrical system module according to one embodiment of the invention.

FIG. 4B illustrates a second side of the electrical system module illustrated in FIG. 4A.

FIG. 4C illustrates a side view of the electrical system module illustrated in FIG. 4A.

FIG. 4D illustrates a temple according to one embodiment of the invention.

FIG. 5A illustrates representative output data for a pedometer system (pedometer) according to one embodiment of the invention.

FIG. 5B illustrates representative input data for a pedometer system (pedometer) according to one embodiment of the invention.

FIG. 6 is a flow diagram of a distance output process according to one embodiment of the invention.

FIG. 7 is a chart that depicts examples of auxiliary sensors that can be utilized with the eyewear.

#### DETAILED DESCRIPTION OF THE INVENTION

In a number of embodiments, the invention pertains to eyewear having an activity monitoring capability. Activity, such as motion, steps or distance, can be measured by an activity detector. The measured activity can then be used in providing activity-related information to a user of the eyewear. Advantageously, the user of the eyewear is able to easily monitor their degree of activity, without the need to carry a separate electrical device. In other embodiments, the invention can provide activity monitoring capability to products other than eyewear.

In one embodiment, the activity monitoring is provided by a pedometer. A pedometer can also herein be referred to as a pedometer system.

In one embodiment, all components for activity monitoring can be integrated with eyewear (e.g., eyeglasses), such as a frame (e.g., a temple of the frame) of the eyewear. As an example, the eyewear normally includes a pair of temples, and the components for activity monitoring can be embedded within one or both of the temples. In one implementation, all components for activity monitoring are integrated into a single temple of the frame of the eyewear. As an example, these components can be formed together on a substrate. The substrate with the components mounted and interconnected can be referred to as a module. Embedding such a module into the eyewear can thus provide the eyewear with activity monitoring capability with minimal disturbance to design features of the eyewear.

Embodiments of different aspects of the invention are discussed below with reference to FIGS. 1-7. However, those skilled in the art will readily appreciate that the detailed description given herein with respect to these figures is for explanatory purposes as the invention extends beyond these limited embodiments.

A first aspect of the invention pertains to eyewear having a pedometer (or pedometer system). The pedometer provides the eyewear with an activity monitoring capability.

FIG. 1 illustrates a pair of glasses 100 according to one embodiment of the invention. The pair of glasses 100 include a first lens holder 102 and a second lens holder 104. The lens holders 102 and 104 are capable of receiving lens. The lens can be prescription lens or non-prescription lens. The first lens holder 102 has a first side and a second side. The second lens holder 104 has a first side and a second side. The pair of glasses 100 also has a bridge 106. The bridge 106 is coupled to the second side of the first lens holder 102 and the first side of the second lens holder 104. The lens holders 102 and 104 and the bridge 106 can be separate pieces or a single integral piece. The glasses 100 can also be referred to as eyeglasses.

In addition, the pair of glasses 100 includes a pair of temples, namely, a first temple 108 and a second temple 110. The first temple 108 is pivotally secured to the first side of the first lens holder 102 by way of a joint (or hinge) 112. The second temple 110 is pivotally secured to the second side of the second lens holder 104 by way of another joint 114.

Moreover, the pair of glasses 100 further includes a pedometer 116. In this embodiment, the pedometer 116 is embedded in the temple 110. As illustrated in FIG. 1, the pedometer 116 includes a display 118 and a switch 120 that are exposed at the inside surface of the temple 110. The display 118 displays a visual indication of an output produced by the pedometer 116. In one implementation, the display 118 is a liquid-crystal display. The switch 120 can serve different functions depending on the embodiment. In general, various different types of switches can be used as the switch 120. In one implementation, the switch 120 is a push-button switch that serves as an on/off button. In another implementation, the switch 120 can be a slider switch. Different types of switches have previously been described in the related patent applications mentioned above and incorporated by reference.

In general, the pedometer 116 is at least partially embedded in the temple 110. In the embodiment shown in FIG. 1, the pedometer 116 is embedded in the temple 110 with the display 118 and the switch 120 being exposed. Other components of the pedometer 116, including various electrical components, are embedded in the temple 110 and not exposed.

In the embodiment shown in FIG. 1, the pedometer 116 is in the temple 110 of the pair of glasses 100 at a region close to its corresponding joint 114. The pedometer 116 faces the user when the user is wearing the pair of glasses 100. With the pedometer 116 in that position, in some cases, the wearer (user) may be able to see the pedometer information being output by the display 118 without the need to take the pair of glasses 100 off.

Although this embodiment provides the pedometer 116 in the temple 110, the pedometer 116 could alternatively be embedded in other parts of the eyeglass frame. With proper design, the overall appearance of the pair of glasses 100 can remain aesthetically pleasing, particularly when the pedometer 116 is substantially embedded in the eyeglass frame (e.g., the temple 110).

FIG. 2 illustrates a temple 200 according to one embodiment of the invention. The temple 200 can, for example, represent another embodiment for the temple 110 of FIG. 1. In any case, the temple 200 includes an inside surface 202. The inside surface 202 has a removable cover 204. The removable cover 204 serves to cover a cavity within the temple 200 that includes electrical components associated with a pedometer. The removable cover 204 has a display opening 206 that aligns with a display of the pedometer, and a switch opening 208 that aligns with a switch. When the

removable cover 204 is removed, the pedometer can be inserted into the cavity within the temple 200. However, with the removable cover attached, the pedometer is held within the cavity, yet the display of the pedometer can remain exposed because of its alignment with the display opening 206 and the switch can remain accessible because of its alignment with the switch opening 208.

FIG. 1 shows an embodiment with a pedometer facing inward towards the wearer when the glasses are being worn. Alternatively, the pedometer could be facing out and the user can temporarily remove the glasses to read pedometer output.

There are a number of benefits of having a pedometer with a pair of glasses. For one, if the pedometer is in the glasses, one does not need to separately carry a pedometer. Also, with the pedometer in the glasses, a user may be able to see his progress just by moving his eyes. For example, the pedometer can have a display and the display can be located close to a hinge of a temple, facing the user when the glasses are worn. In such case, the user does not have to move his hands or other parts of his body to monitor his progress; he only has to move his eyes to see the display and to track his progress while exercising. Similarly, in an embodiment with the pedometer and a speaker in the glasses, a user can hear his progress without the need for the volume of the audio signals to be high because the speaker can be relatively close to the user's ear.

FIG. 3 is a block diagram of a pedometer system 300 according to one embodiment of the invention. The pedometer system 300 can also be referred to as a pedometer. The pedometer system 300 is suitable for use as one implementation of the pedometer 116 illustrated in FIG. 1. The pedometer system 300 includes a controller 302 that controls overall operation of the pedometer system 300. An accelerometer 304 provides an input data signal to the controller 302. The controller 302 receives the input data signal from the accelerometer 304 and determines whether the output information produced on a display 306 should be altered or whether there should be an output on the display 306. The pedometer system 300 also includes a switch 308 and a power source 310. The switch 308 provides an input control signal to the controller 302. In one embodiment, the switch 308 can serve as an on/off switch. In another embodiment, the switch 308 can provide a reset operation for the output of the pedometer system 300. In still another embodiment, the switch 308 can be a light switch to provide light (e.g., back light) when activated so as to better illuminate the display 306. The display 306 can, for example, be a Liquid Crystal Display (LCD) type display. The power source 310 provides power to any or all of the controller 302, the accelerometer 304 and the display 306. The power source 310 can be implemented by a battery, kinetic energy device or solar cell, or some combination thereof. Although the switch 308 is not shown as being coupled to the power source 300, in another embodiment, the switch 308 could be interposed between the power source 310 and the other electrical components of the pedometer system 300 so as to provide a power-off mechanism.

More generally, the display 306 can be an output mechanism for the pedometer system 300. An alternative output mechanism is a speaker. In one embodiment, the glasses (e.g., glasses 100) can include a speaker to provide an output of the pedometer system 300. The speaker can be attached to or substantially internal to one of the glasses (e.g., a temple of the glasses). The glasses can also include more than one speaker. The speaker(s) can provide an audio output for the benefit of the user of the glasses. The audio output can be a speech output corresponding to a pedometer output (e.g., distance, calories, etc.). The audio output could alternatively be a sound, such as a sound effect. For example, a first sound

could be output to indicate a  $10^{th}$  of a mile increment, and a second sound could be output to indicate a mile increment.

In one embodiment, the pedometer is powered by a battery. The battery can, for example, be rechargeable by way of coupling to a charger through a connector at the glasses or by way of a solar cell. The solar cell can be coupled to or partially embedded in the pair of glasses. In one embodiment, the pair of glasses includes a hatch (e.g., removable cover) that can be opened to replace the battery which is embedded in the pair of glasses.

FIG. 4A illustrates an electrical system module **400** according to one embodiment of the invention. The electrical system module **400** in this embodiment operates as a pedometer system (pedometer). The electrical system module **400** includes a substrate **402**. Mounted on a first side **404** of the electrical system module **400** is a display **406** and a push-button switch **408**. The electrical system module **400** can, for example, be designed to be placed internal to a cavity within the frame of a pair of glasses.

FIG. 4B illustrates a second side **410** of the substrate **402** of the electrical system module **400**. The second side **410** of the substrate **402** includes a controller chip **412**, an accelerometer **414**, and a battery **416**.

FIG. 4C illustrates a side view of the electrical system module **400**. The electrical system module **300** is generally small so as to fit within an eyeglass frame, as discussed above with reference to FIGS. **1** and **2**. In this embodiment, the electrical system module **300** has electronic components on both sides of the substrate **402**; however, it should be understood that all the electrical components could be on a single side, which could provide a profile with reduced thickness. The substrate **402** is for example, a Printed Circuit Board (PCB) or a tape for holding integrated circuits. In one example, the substrate **402** can be made of epoxy and glass, and in another example, the substrate **402** can be made of Kapton®, a brand of polyimide.

Further, in some embodiment, the substrate (e.g., PCB) can conform to the size and shape of the temple. FIG. 4D illustrates a temple **450** according to one embodiment of the invention. The temple **450** can, for example, represent another embodiment for the temple **110** of FIG. **1** or the temple **200** illustrated in FIG. **2**. In any case, the temple **450** includes an inside surface **452**. The inside surface **452** has a display opening **454** that aligns with a display of the pedometer (e.g., display **406**), and a switch opening **456** that aligns with a switch. Both the display and the switch are mounted on a substrate. In this embodiment, a substrate **458** for the pedometer is housed internal to the temple **450**. Moreover, in this embodiment, the substrate **458** is not rectangular but instead conforms to the configuration of the temple **450**. In particular, the substrate **458** has a forward end **460** and a back-end **462**. In this embodiment, the back-end **462** has a substantially reduced height as compared to the forward end **460**. There is also a curved region **464** of the substrate **408** to transition between the forward end **460** and the back-end **462**. A cavity is provided internal to the temple **450**. In one embodiment, the cavity is designed to receive the substrate **460**. Hence, in one embodiment, the cavity also has a non-rectilinear configuration. Since temples are often small and have a low profile, the substrate needs to likewise be small and have a low profile. However, a substrate with a rectangular configuration may not have enough surface area for all the electrical components to be provided on the substrate. However, by using a non-rectangular configuration for the substrate, there can be more surface area for the substrate. Additionally, in this way, an electrical system module (e.g.,

pedometer system) can be provided within the glasses with reduced impact on aesthetic design.

FIG. 5A illustrates representative output data for a pedometer system (pedometer) according to one embodiment of the invention. The output data can, for example, pertain to one or more of: steps taken, distance traveled, calories consumed, duration of activity, and speed of travel. The output data can be presented in a visual manner on a display of a pedometer system, such as the display **118**, **206**, **306** or **406** noted above. Alternatively, the output data can be presented in an audio manner via a speaker. The display and/or the speaker can be attached to or at least partially embedded within the pair of glasses having the pedometer system.

FIG. 5B illustrates representative input data for a pedometer system according to one embodiment of the invention. The input data can, for example, pertain to data that is input to the pedometer system to facilitate its operation. For example, the input data can include one or more of: stride information, time (i.e., current time), and/or weight of user. Although providing input data to the pedometer system is not necessary, for some embodiments, it is helpful to producing output data that is more accurate.

As noted above, the pedometer system can provide different types of outputs. For example, the display can show step count, i.e., a count for the number of steps taken by the user. The glasses can have an on/off switch to activate/deactivate the pedometer system. When the pedometer system is turned on, it can keep track of the number of steps taken by the user.

Another type of output can be distance traveled. The pedometer system can include a switch for stride-length adjustment. The switch can have three (3) positions—a long, a medium and a short stride, each with its corresponding distance. The user can set the switch at one of the positions. The pedometer system (e.g., controller **302**) can then multiplied that distance by the step count to generate the distance traveled. In another embodiment, the user can enter his average stride distance into the glasses to provide a more accurate distance calculation. This can be done directly (e.g., inches, feet or centimeters) or indirectly (e.g., steps per  $10^{th}$  of a mile or steps per kilometer).

Another type of output is time elapsed (i.e., duration). The pedometer system can include a timer to show time elapsed. With the timer, the controller can also divide distance traveled by time elapsed to provide a speed output or an average speed output.

The distance traveled could represent the horizontal distance traveled or the vertical distance (i.e. elevation) traveled. As one example, a pedometer can provide an estimate of distance traveled. The speed can be acquired or determined, such as the rate of movement along the horizontal distance and/or the vertical distance traveled. In one embodiment, the pedometer system can further include an altimeter to measure vertical distance traveled. As another example, calories consumed can be determined (e.g., estimated) based on various physical and/or environmental conditions that can be measured or determined.

In one embodiment, the person can enter his weight into the pedometer. Based on the weight and the distance traveled, the pedometer can measure the number of calories burned, which are proportional to the weight and the distance traveled.

FIG. 6 is a flow diagram of a distance output process **600** according to one embodiment of the invention. The distance output process **600** is, for example, performed by a pedometer system, such as the pedometer **116** or the pedometer system **300**. The distance output process **600** operates to determine and then output a distance amount associated with a user of

the pedometer (pedometer system). As noted above, a pedometer can output a distance traveled by the user of the pedometer.

The distance output process 600 initially reads 602 activity sensor (e.g., accelerometer) data. A distance traveled is then computed 604 based on the activity sensor data. Next, the distance traveled is added 606 to the total distance traveled. As a result, the total distance is updated to include the incremental distance that the user has traveled since the last instance of the distance output process 600. The updated total distance traveled is then displayed 608.

Next, a decision 610 determines whether to update the distance being monitored by the distance output process 600. When the decision 610 determines that an update is needed, the distance output process 600 returns to repeat the operation 602 and subsequent operations so that a next distance travel can be computed and processed in a similar manner. It should be noted that the distance traveled being displayed 608 can be rendered in any sort of units, including steps, miles, feet, meters, etc.

On the other hand, when the decision 610 determines that an update is not yet needed, a decision 612 determines whether a reset has been requested. When the decision 612 determines that a reset has not been requested, then the distance output process returns to repeat the decision 610 to again evaluate whether an update is needed. Here, the activity monitoring hardware can be inactive for a period of time (e.g., a delay time). This inactive period can provide low power operation of the activity monitoring hardware. In general, the less often updates occur, the less power consumed. Alternatively, when the decision 612 determines that a reset has been requested, the total distance traveled is reset 614 (i.e., cleared or set to zero). Following the operation 614, the distance output process 600 again returns to repeat the operation 602 and subsequent operations.

Pedometer designs can have various different structures. In one embodiment, an advantage to have a pedometer in the glasses can be due to the structure of one type of pedometer. In one approach, a pedometer includes a weight and a spring. In one embodiment, the pedometer can also include an LED, a photodetector and a controller. The weight is at the end of the spring, which can be a leaf spring. The weight with the spring have a resonant frequency that can be in the range of normal walking pace, such as 60-120 steps/minute. At that frequency, the weight with the spring will resonate. The resonance can be critically damped, such as by allowing the weight to go up and down beyond a threshold, but only once per step of the user. Normally, the photodiode receives light from the LED. When the weight goes beyond the threshold, it can block the light from the LED from reaching the photodiode. By measuring (e.g., counting) the number of times light is blocked and unblocked, a controller would be able to identify the number of steps the user has walked. Based on such a structure, in one embodiment, for optimal performance, the orientation of the up-down motion of the weight should be substantially vertical. If a pedometer is a device you can clip onto a piece of clothing, a user can clip it on such that the orientation of the up-down motion of the weight is horizontal, which causes the performance of the pedometer to be substantially degraded. Glasses are usually worn in a standard position. The position, including the orientation, of the pedometer can thus be fixed relative to the glasses. Then, the orientation of the up-down motion of the weight can be fixed to be substantially vertical when the glasses are worn, or be substantially perpendicular to the orientation of the bridge of the glasses. This is another advantage of having a pedometer in the glasses in a number of embodiments.

In another embodiment, the pedometer can be automatically adjusted based on the types of exercise the user is engaging in, such as whether she is walking or jogging. For example, the resonance frequency, stride, or other parameter can be changed to provide a more accurate correspondence to whether the person is walking or jogging. There could alternatively be a switch that allows the person to change the pedometer from the walking mode to the jogging mode.

The activity monitoring can but need not be performed by a pedometer (pedometer system). That is, other activity monitoring systems besides pedometer systems can be used. In other words, a pedometer system can be replaced by an activity monitor. An activity monitor is a monitor of general activity. For example, the activity being monitored can correlate to movement of its user. Such movement may or may not correspond to distance traveled. For example, a pedometer system measuring steps taken by a user while working out at the gym would typically imply that the user is nevertheless active, albeit in a relatively confined area. In contrast, an activity monitor could better understand that the user is getting up and down many times and otherwise involved in a substantial amount of movement while at the gym. Similarly, homeowners cleaning the house engages in a lot of activity, but perhaps not requiring a comparable number of steps, as a jogger.

In one embodiment, the activity monitor can be partially or completely embedded in a pair of eyeglasses. Typically, the activity monitor includes an activity sensor and electronic circuitry in the pair of eyeglasses that monitors the activity, manipulates the monitored signals and provides an output of an activity indication to the user or interested party.

The activity sensor can sense user activity level. As an example, the user activity level can be used to provide a lifestyle indication. For example, a lifestyle indication can indicate to the user whether the user was active today or, alternatively, lazy today. The lifestyle indication can be displayed as a text or graphic symbol to inform the user or others of the activity level. For example, the lifestyle indication can be displayed by an output device (e.g., a LCD or LED display). The output device can be integrated with an eyeglass frame (e.g., at a temple portion of the eyeglass frame).

The activity level can pertain to a period of time, such as last 5 minutes, last hour, last 8 hours or last 24 hours. In one embodiment, within the time period, electronic circuitry can measure (e.g., count) motion (e.g. vibrations), such as via an accelerometer or other motion indicators. When motion exceeds a threshold, a count can be increased. The count total for the period of time can then be compared to an index. The index can then provide an activity level, which can be numeric (e.g., 1-10 rating), textual (e.g., lazy, slow, moderate, active) or graphical. For example, in a given day, a count can be accumulated, and then the activity level can be re-determined based on the accumulated count at the end of each day. The following table is representative of the correspondence between count value, thresholds (TH), and activity level.

Count	Activity Level
< or = TH1	Lazy
>TH1 but < or = TH2	Slow
>TH2 but < or = TH3	Moderate
>TH3	Active

These activity levels can also be linked to numerical or graphical indicators which can be displayed on an output device. The output via the output device can provide a current



activity and/or a cumulative activity level, which can be a cumulative daily activity level. The output can also be displayed relative to one or more benchmarks.

When there is no motion or essentially no motion, the monitoring system can power-off or enter a low-power mode, and thus stop performing activity processing or providing any activity indication at an output device.

In one embodiment, the activity sensor can be implemented using an accelerometer or a vibration sensor. In another embodiment, the activity sensor can be implemented using a pedometer, which can be either a mechanical or electrical pedometer. In yet another embodiment, the activity can be implemented using a GPS receiver. In still other embodiment, the activity sensor can be implemented using a combination of any of the foregoing. In yet another embodiment, a plurality of activity sensors can be utilized. Such multiple activity sensors can be processed separately or in combination.

In one embodiment, the activity sensor can be used to measure distance traveled. In another embodiment, the activity sensor can acquire a position. The relative change in position over time can be used to determine a distance traveled. Then, the distance traveled over time can be used to correlate to an activity level. The activity level can then be displayed in any of the various ways noted above. In other embodiment, the activity sensor can be used to measure minimum activity (e.g., sleeping). In still another embodiment, the activity sensor can be used to measure velocity or acceleration.

In one embodiment, an activity monitoring system which provides monitoring and display of activity information can be at least partially embedded in a pair of eyeglasses. In another embodiment, the activity monitoring system can be at least partially embedded in at least one temple of a pair of eyeglasses. Optionally, the pair of glasses can further include one or other sensors discussed herein or in related applications. At least one of the sensors can be remote from the pair of eyeglasses (and utilizes wireless or wired communication to interact).

In yet still another embodiment, the activity monitor can operate as a calorie counter. In such case, data from an activity sensor can be converted into estimated calories consumed by, for example, the wearer of the glasses. The glasses may permit a user to enter his weight, or there can be a series of glasses each being utilized for different weight ranges. An output device provided with a pair of such glasses can inform the user of the calories consumed, such as throughout the day. The glasses can also include a reset button or on/off switch so that calorie count can be cleared. The glasses might also store calorie information for a plurality of days and permit uploading such data to a computer (wirelessly or via a connector provided with the glasses).

There can also be a memory device to keep track of the activity information for a number of days. The activity monitoring system can include or couple to a controller that controls storage and retrieval of the information to and from the memory device.

In one embodiment, the activity monitoring system (e.g., pedometer) has an automatic off feature that allows a controller to automatically turn off or deactivate the activity monitoring system if the activity monitoring system does not sense any steps taken by the user for a predetermined period of time, such as two

In different embodiments, the glasses can be more geared towards sports. The glasses can be a pair of sports glasses, swimming goggles, or protective goggles for playing different types of sports, such as racquetball.

In still another embodiment, a pair of eyeglasses can include or utilize a sensor to serve as a stress monitor. For example, stress can be estimated in view of blood pressure which can be evaluated with a blood pressure sensor and/or in view of pulse rate which can be evaluated with a pulse rate sensor. As another example, blood pressure or pulse rate sensors together with activity can be used to estimate stress.

The activity monitoring system can also include one or more switches with the eyewear. The switches can, for example, facilitate user input or control with respect to the activity monitoring system. For example, the switches can provide one or more of on/off, reset, on, on (and reset), and calibration. The activity monitoring system can also provide a user with an indication of whether the system is currently on or off, such as by a graphical image on a display device or by a LED. The one or more switches can also be used to change operational settings, such as threshold levels, output type, user preferences, user physical characteristics (e.g., stride, weight), operational mode, or activation/deactivation of auxiliary sensors, if any.

The activity monitoring system can have a "being-worn" switch. In one embodiment, the "being-worn" switch enables the activity monitoring system to automatically determine when to monitor activity and when not to monitor activity. In particular, the activity can be monitored when an eyeglass frame having the activity monitoring system is "being-worn" and not when the eyeglass frame is not "being-worn." The "being-worn" switch can be positioned in the temple portion with the other components of the activity monitoring system. In one embodiment, the activity monitoring system is provided, as a module as noted above, and which further includes a switch. The switch can, for example, be a "being worn" switch. By having the switch integral with the module, the manufacture and assembly of the end-product having the activity monitoring system can be simplified. As examples, the "being-worn" switch can be an optical, magnetic or mechanical switching device.

The "being-worn" switch can make use of the situation that the temples are in an open position when the eyeglass frame is being worn, and in a closed position when not being worn. In one embodiment, the "being-worn" switch can be positioned at a temple proximate to a region that couples the temple to its corresponding lens holder. For example, the activity monitoring system (e.g., module) can be provided within the temple region near the end of the temple so that the "being worn" switch is adjacent the lens portion of the eyeglass frame.

The "being worn" switch can also be used by a user to signal the activity monitoring system to provide its output at an output device, such as a display device. For example, when the "being worn" switch is initially closed (i.e., being worn), the activity monitoring system can output its text or graphical output to the display device. Typically, the displayed output would be displayed only for a limited period of time (e.g., 10 seconds). Such an approach is typically more power efficient, yet permits the user to obtain the output information when desired. Alternatively, another switch (e.g., dedicated output switch) could be used to cause the output to be displayed for a limited period of time or while the switch is depressed.

In one embodiment, the eyewear including the activity monitoring system can further include one or more auxiliary sensors. FIG. 7 is a chart 700 that depicts examples of auxiliary sensors that can be utilized with the eyewear.

The chart 700 indicates that one type of auxiliary sensor is a "being worn" sensor. The "being worn" sensor would indicate whether the glasses are being worn by its user. The

“being worn” sensing mechanism can be performed using, for example, a thermal sensor, a motion detector, a stress sensor or a switch.

In one embodiment, a motion detector is used as a “being worn” sensor. A threshold can be set, such that if the amount of motion detected exceeds the threshold, the eyewear is assumed to be worn. The motion detector can, for example, be achieved by a mechanical means or an accelerometer.

In another embodiment, the “being worn” sensor includes one or more thermal sensors. In the case where two sensors are used, one sensor can be at approximately the middle of a temple, such as in a region that would receive heat from the head of the user wearing the glasses, and the other sensor can be positioned at the end of the same temple close to the hinge. If the temperature differential between the two sensors is beyond a certain preset value, the eyewear would be assumed to be worn.

In yet another embodiment, the “being worn” sensor includes a stress sensor at the hinge of the temple. The assumption is that when the eyewear is worn, the hinge is typically slightly stretched because typically the width of the head of the user can be slightly wider than the width between the temples when the two temples are in the extended positions. If the value of the stress sensor is beyond a certain preset value, the glasses would be assumed to be worn.

In still yet another embodiment, the “being worn” sensor can be implemented as a switch. For example, the switch can utilize optical, magnetic or mechanical means. In one embodiment, the switch can be positioned at the temple of the eyewear, such as a forward end of the temple proximate to a corresponding lens holder. Different embodiments of such sensors is also described in U.S. Provisional Patent Application No. 60/583,169, filed Jun. 26, 2004, entitled “ELECTRICAL COMPONENTS FOR USE WITH EYEWEAR, AND METHODS THEREFOR,” which has been incorporated herein by reference, see, e.g., section entitled “EYEGLASSES WITH USER INPUT CAPABILITY.”

Another type of auxiliary sensor is an environmental sensor. The environmental sensor can sense environmental conditions, such as one or more of temperature (e.g., ambient temperature), pressure, humidity and toxins (e.g., chemicals, radiation, etc.).

Still another type of auxiliary sensor is a physical sensor. The physical sensor can sense physical conditions of the user of the glasses. Examples of physical sensors include sensing one or more of location, temperature, alertness, and vital signs (e.g., heart rate, blood pressure, etc.) associated with the user of the glasses. Still other physical sensors can sense emotions of the user. For example, the physical sensor could sense whether the user is calm, excited, happy, sad, angry, etc. In one embodiment, the physical sensor can also more generally sense user activity level. As an example, the user activity level can be used to provide a lifestyle indication. For example, a lifestyle indication might show that the user was active today or, alternatively, lazy today. Such a lifestyle indication can be displayed as a text or graphic symbol to let the user or others aware of the activity level.

In one embodiment, one particular type of physical sensor is a heart-beat sensor. The heart-beat sensor measures the heart beat of the wearer of the eyewear. One implementation for the heart-beat sensor utilizes an infrared emitter and an infrared detector as components. The infrared emitter can be an infrared LED and the infrared detector can be an infrared photodiode (or a non-infrared photodiode with a separate infrared filter). The components can be located at a temple of the eyewear, with both the emitter and the detector facing the user when the eyewear is worn. In operation, the infrared

emitter shines infrared radiation towards the user, and the detector captures the infrared signals reflected back by the skin of the user. The magnitude of the reflected signals depends on the amount of blood flowing below the skin, which, in turn, depends on (i.e., fluctuates with) the heart beat. The rate of emission by the emitter and reception by the detector can be modulated (e.g., amplitude modulate) in a frequency range much higher than the heart beat, such as three Kilohertz. And the signals from the detector can be low-pass filtered before they are measured to identify the heart beat of the user. For example, the low-pass filter can a cutoff frequency at about 1 Hertz (Hz).

It should be understood that the sensors might rely on more than one measured criteria. The one or more measured criteria might be used to determine the sensor output. The determination of the sensor output can involve estimation or prediction.

The auxiliary sensors can be provided in a redundant or fault-tolerant manner. For example, sensors can be provided in pairs. When one sensor of a pair malfunctions, the other one can replace it. In another embodiment, any of the auxiliary sensor information can be processed in a differential manner to examine changes to the auxiliary sensor information. The auxiliary sensors can be powered by a battery, solar energy, or kinetic energy. For reduced power consumption, the auxiliary sensors can remain in a low-power state unless data is being acquired by the auxiliary sensors. In yet another embodiment, two or more of the auxiliary sensors can communicate with one another (wired or wirelessly) to exchange data or control information.

In general, the auxiliary sensors can be fully or partially embedded in the eyewear or a base tethered to the eyewear. Alternatively, one or more of the auxiliary sensors can be separate from the eyewear, or any base tethered thereto, and wirelessly communicate with the eyewear or base.

An output (e.g., notification to the user) can vary in content and type. The type can be visual and/or audio. The content can be numerical, graphical, musical, textual, synthesized text, etc. The output can also be predetermined, dynamically determined or configurable. Still further, the output can be dependent on user preferences, user physical characteristics, auxiliary sensor information (e.g., location), or degree of health risk.

An activity monitoring system can also include one or more connectors with the eyewear. The connectors can, for example, facilitate electrical or mechanical interconnection with an external electrical device (e.g., computing device, media player, headset, power source). Although the format and size of the connectors can vary, in one embodiment, the connector is a standard audio connector or a peripheral bus connector (e.g., USB connector).

An activity monitoring system can also include one or more switches with the eyewear. The switches can, for example, facilitate user input or control with respect to the activity monitoring system. For example, the switches can provide one or more of on/off, reset, on, on (and reset), and calibration. The activity monitoring system can also provide a user with an indication of whether the system is currently on or off, such as by a graphical image on a display device or by a LED.

An activity monitoring system can also include a memory. The memory can be volatile or non-volatile. The memory can also be removable or non-removable with respect to the eyewear. If the memory is volatile, the activity monitoring system, if solar powered, could also include a battery to provide power to the memory so that stored data (e.g., user preferences, etc.) can be retained even when adequate solar energy

is not available. As an example, the presence of a memory can allow storage of activity information for an extended period of time to acquire a historical understanding of activity information.

In one embodiment, an eyeglass frame can include memory that can store acquired activity information. Such stored activity information can be subsequently uploaded to a computer, in a wired or wireless manner. The activity information can then be analyzed by the computer.

An activity monitoring system can also include a communication module. The communication module would allow data transmission to and from the activity monitoring system (namely, the eyewear) and an external device. The data being transmitted can, for example, be activity information, configuration data, user preferences, or auxiliary sensor data. The data transmission can be wireless or wireline based. The eyewear can further include a connector operatively connected to the activity monitoring system. Such a connector can facilitate data transmission with respect to the activity monitoring system or the eyewear.

A temple of a pair of glasses can be removable from the remainder of the frame. Such facilitates replacement of temples. For example, a convention temple could be removed from a frame and replaced with a temple having at least one electrical component at least partially embedded therein.

An activity monitoring system can be partially or fully contained in a temple arrangement associated with a temple of a pair of glasses. In one embodiment, the temple arrangement can be removable from the temple. A temple arrangement can be a temple tip, a temple cover or a temple fit-over.

In one implementation, an activity monitoring system (e.g., pedometer) can alternatively be provided in a temple arrangement. Referring back to FIG. 1, each temple **108**, **110** has two ends, the first end and the second end. The first end is the end that is pivotally secured to its corresponding hinge **112**, **114**. In one arrangement, the second end of one or both of the temples **108**, **110** has a temple arrangement. In one embodiment, at least a portion of the electrical components of an activity monitoring system (e.g., pedometer) is in a temple arrangement, and another portion of the electrical components of the activity monitoring system is in a temple arrangement.

For some glasses, particularly when a pair of glasses has not been extensively worn, a temple arrangement, such as a temple tip, can be relatively easily removed and re-inserted into the glasses. As a result, temple arrangements of different color and/or shape and/or having different electrical components can be applied to the same frame of a pair of glasses. Retailers or distributors can then provide after-market modification or enhancement to a pair of glasses, at the preference of their consumers. This, for example, can be done by replacing existing temple tips with replacement temple tips. Alternatively, a consumer can identify the preferred temple arrangements to be sold with the glasses. Different embodiments on after-market enhancement and/or modification of glasses have previously been described in the related patent applications mentioned above.

An activity monitoring system can be partially or fully tethered to a pair of glasses. For example, some of the components for monitoring activity or one or more auxiliary sensors can be tethered to the eyewear. In one embodiment, the tethered components can be tethered at the neck or upper back region of the user. Tethering components can allow for increased design freedom with the eyewear as well as additional area with which to house the components. For example,

an activity monitoring system could be partially or completely within a device or a base that can be tethered to eyewear.

Still further, an activity monitoring system could be partially or completely within a device or a base that can be tethered to eyewear.

In another embodiment, an eyeglass frame can have openings (e.g., holes) at the ends of the temple tips so as to facilitate attachments of straps, holders, etc.

Although much of the above discussion pertains to providing activity monitoring capabilities in eyewear, it should be understood that any of the various embodiment, implementations, features or aspects noted above can also be utilized in other or on end products besides eyewear. Examples of other such end-products can include: hats (e.g., soft hats, hard-hats, helmets), watches or watch bands, bracelets, bracelet accessories, necklaces, necklace accessories, rings, shoes (e.g., sandals, athletic shoes, beach shoes), shoe accessories, clothing (e.g., tee-shirt, swimming-suit, ties, pants, jackets, etc.), belts, belt accessories, zippers, key rings, purses, beach-tags, containers (e.g., cups, bottle, tube—such as a sun tan lotion bottle or tube); container holders (e.g., can holders, coasters, coolers, etc.), and other consumer products.

A number of embodiments have been described above for an eyeglass frame, i.e., primary frame. Such embodiments are also applicable to an auxiliary frame. An auxiliary frame can attach to a primary frame through different techniques, such as using clips or magnets.

In the event that electrical components, such as an activity monitoring system, are at least partially embedded in one of the temples of an eyeglass frame, the other of the temples can include other electrical components or even a counter weight. It is desirable for the eyeglass frame to be substantially balanced. Hence, the implementation of the eyeglass frame should offset any weight imposed by activity or other monitoring. For example, if five (5) grams of electrical components are added to one temple, the other temple should also have approximately five (5) grams added thereto.

The various embodiments, implementations and features of the invention noted above can be combined in various ways or used separately. Those skilled in the art will understand from the description that the invention can be equally applied to or used in other various different settings with respect to various combinations, embodiments, implementations or features provided in the description herein.

Certain aspects of the invention can be implemented in software, hardware or a combination of hardware and software. Certain aspects of the invention can also be embodied as computer readable code on a computer readable medium. The computer readable medium is any data storage device that can store data which can thereafter be read by a computer system. Examples of the computer readable medium include read-only memory, random-access memory, CD-ROMs, magnetic tape, optical data storage devices, and carrier waves. The computer readable medium can also be distributed over network-coupled computer systems so that the computer readable code is stored and executed in a distributed fashion.

The advantages of the invention are numerous. Different embodiments or implementations may yield one or more of the following advantages. One advantage of the invention is that a pedometer or other activity monitor can be added to or coupled to eyewear. Another advantage of the invention is that pedometer or other activity monitoring capabilities can be provided for eyeglasses without substantial interference to style or design choices, and thus without being apparent that the eyeglasses support such capabilities.

Numerous specific details are set forth in order to provide a thorough understanding of the present invention. However, it will become obvious to those skilled in the art that the invention may be practiced without these specific details. The description and representation herein are the common meanings used by those experienced or skilled in the art to most effectively convey the substance of their work to others skilled in the art. In other instances, well-known methods, procedures, components, and circuitry have not been described in detail to avoid unnecessarily obscuring aspects of the present invention.

In the foregoing description, reference to “one embodiment” or “an embodiment” means that a particular feature, structure, or characteristic described in connection with the embodiment can be included in at least one embodiment of the invention. The appearances of the phrase “in one embodiment” in various places in the specification are not necessarily all referring to the same embodiment, nor are separate or alternative embodiments mutually exclusive of other embodiments. Further, the order of blocks in process flowcharts or diagrams representing one or more embodiments of the invention do not inherently indicate any particular order nor imply any limitations in the invention.

The many features and advantages of the present invention are apparent from the written description and, thus, it is intended by the appended claims to cover all such features and advantages of the invention. Further, since numerous modifications and changes will readily occur to those skilled in the art, it is not desired to limit the invention to the exact construction and operation as illustrated and described. Hence, all suitable modifications and equivalents may be resorted to as falling within the scope of the invention.

What is claimed is:

1. A pair of eyeglasses comprising:  
an eyeglass frame having at least a bridge and a pair of temples; and  
an activity monitoring system at least partially embedded in the frame and operable to measure activity associated with a user of the pair of eyeglasses,  
wherein the activity monitoring system includes at least an activity sensor, and wherein the activity sensor is positioned within the frame.
2. A pair of eyeglasses as recited in claim 1, wherein the activity monitoring system includes at least an input device and an output device, both the input device and the output device are accessible to a user of the eyeglasses.
3. A pair of eyeglasses as recited in claim 1, wherein the activity monitoring system includes at least an input device and an output device, both the input device and the output device are accessible from a surface of the frame.
4. A pair of eyeglasses as recited in claim 1, wherein the activity monitoring system includes at least an input device and an output device,  
wherein the activity monitoring system is at least partially embedded in one of the temples, the temple having an inside surface that faces a user when the eyeglasses are worn, and having an outside surface opposite the inside surface, and  
wherein the input and output devices are at least partially exposed at the inside surface of the temple.
5. A pair of eyeglasses as recited in claim 1, wherein the activity monitoring system includes at least a display for displaying information at one of the temples of the eyeglasses.
6. A pair of eyeglasses as recited in claim 5, wherein the information being displayed on the display pertains to an activity level.

7. A pair of eyeglasses as recited in claim 5, wherein the information being displayed on the display pertains to a distance traveled.

8. A pair of eyeglasses as recited in claim 5, wherein the information being displayed on the display pertains to a step count.

9. A pair of eyeglasses as recited in claim 5, wherein the information being displayed on the display pertains to a calorie count.

10. A pair of eyeglasses as recited in claim 1, wherein the pair of eyeglasses further comprises a speaker for outputting audio information.

11. A pair of eyeglasses as recited in claim 10, wherein the audio information being output pertains to a distance traveled, a step count or a calorie count.

12. A pair of eyeglasses as recited in claim 1, wherein the pair of eyeglasses further comprises a being-worn indicator for indicating that the eyeglasses are being worn.

13. A pair of eyeglasses as recited in claim 1, wherein the activity monitoring system is at least partially embedded in one of the temples.

14. A pair of eyeglasses as recited in claim 1, wherein the activity measured by the activity monitoring system includes at least measurement of steps taken by the user.

15. A pair of eyeglasses as recited in claim 1, wherein the pair of eyeglasses further comprises a switch to activate the activity monitoring system.

16. A pair of eyeglasses as recited in claim 1, wherein the activity monitoring system is automatically deactivated if the activity monitoring system does not sense activity by the user for a predetermined duration of time.

17. A pair of eyeglasses as recited in claim 16, wherein, if deactivated, the activity monitoring system is automatically activated if the activity monitoring system senses activity by the user.

18. A pair of eyeglasses as recited in claim 1,  
wherein the pair of eyeglasses further comprises a display for displaying activity information at one of the temples of the eyeglasses, and  
wherein the activity information being displayed on the display pertains to a distance traveled, a step count, or a calorie count.

19. A pair of eyeglasses comprising:  
an eyeglass frame having at least a bridge and a pair of temples; and  
an activity monitoring module at least substantially embedded in the frame and operable to measure activity associated with a user of the pair of eyeglasses.

20. A pair of eyeglasses as recited in claim 19, wherein the pair of eyeglasses are a pair of sunglasses.

21. A pair of eyeglasses as recited in claim 19, wherein the eyeglass frame includes a cavity, and wherein the activity monitoring module is provided within the cavity.

22. A pair of eyeglasses as recited in claim 19,  
wherein the activity monitoring module includes at least an input device and an output device,  
wherein the activity monitoring module is at least partially embedded in one of the temples, the temple having an inside surface that faces a user when the eyeglasses are worn, and having an outside surface opposite the inside surface, and

wherein the input and output devices are at least partially exposed at the inside surface of the temple.

23. A pair of eyeglasses as recited in claim 19, wherein the activity monitoring module includes at least a display for displaying information pertaining to the measured activity.

**19**

24. A pair of eyeglasses as recited in claim 19, wherein the pair of eyeglasses further comprises a speaker configured to output audio information pertaining to the measured activity.

25. A pair of eyeglasses as recited in claim 19, wherein the pair of eyeglasses further comprises a being-worn indicator configured to determine whether the pair of eyeglasses is being worn, and wherein the being-worn indicator controls whether the activity associated with the user of the pair of eyeglasses is to be measured.

26. A pair of eyeglasses as recited in claim 19, wherein the pair of eyeglasses further comprises a switch to activate the activity monitoring module, and wherein the activity monitoring module is automatically deactivated if the activity monitoring module does not sense activity by the user for a predetermined duration of time.

**20**

27. Eyewear, comprising:  
an eyewear support structure; and  
an activity monitoring system at least substantially internal to the support structure and operable to measure activity of a user of the eyewear.

28. Eyewear as recited in claim 27, wherein the activity monitoring system comprises a pedometer.

29. Eyewear as recited in claim 27, wherein the activity monitoring system outputs data to the user corresponding to two or more of: steps taken, distance traveled, calories consumed, duration of activity, and speed of travel.

30. Eyewear as recited in claim 27, wherein the activity monitoring system outputs data to the user corresponding to vertical distance traveled.

\* \* \* \* \*

UNITED STATES PATENT AND TRADEMARK OFFICE  
**CERTIFICATE OF CORRECTION**

PATENT NO. : 7,401,918 B2  
APPLICATION NO. : 11/891411  
DATED : July 22, 2008  
INVENTOR(S) : Howell et al.

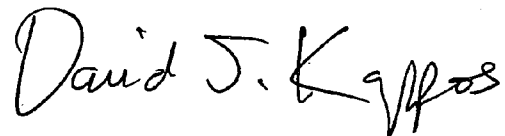
Page 1 of 1

It is certified that error appears in the above-identified patent and that said Letters Patent is hereby corrected as shown below:

Column 18, line 22 "In" should be --in--.

Signed and Sealed this

First Day of September, 2009

A handwritten signature in black ink that reads "David J. Kappos". The signature is written in a cursive style with a large initial 'D' and 'K'.

David J. Kappos  
*Director of the United States Patent and Trademark Office*